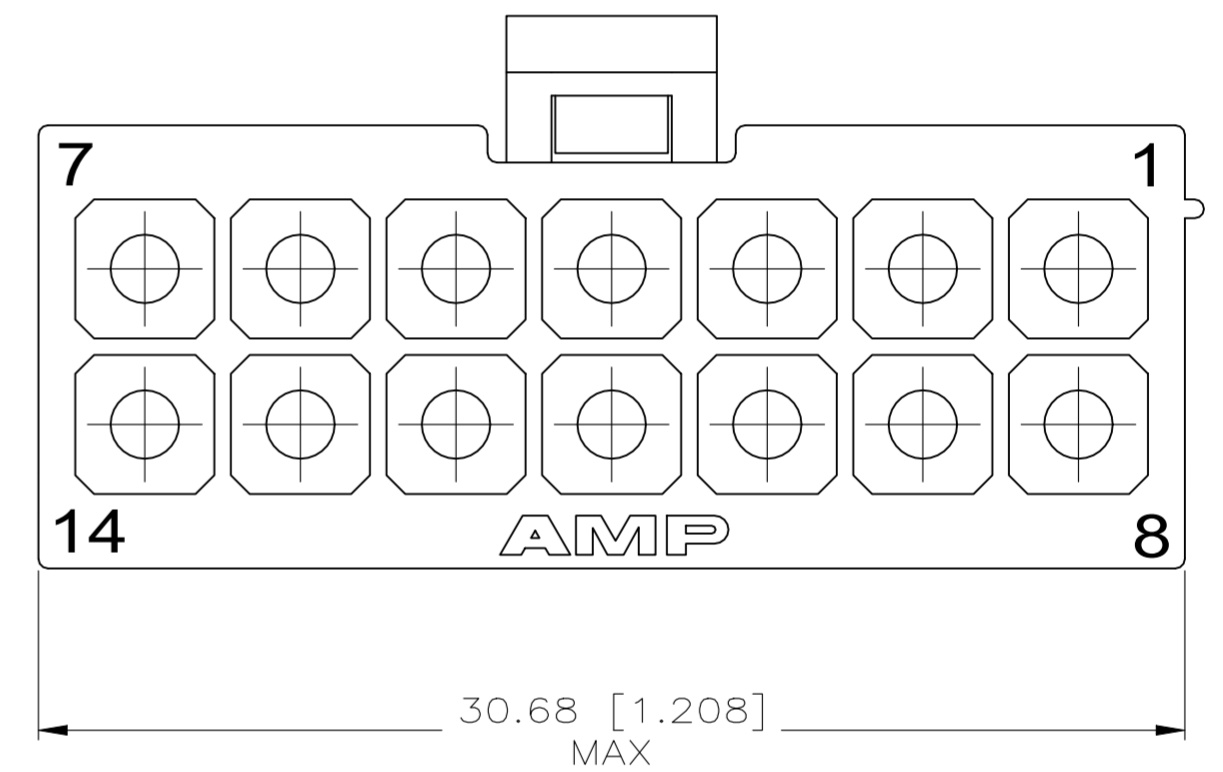
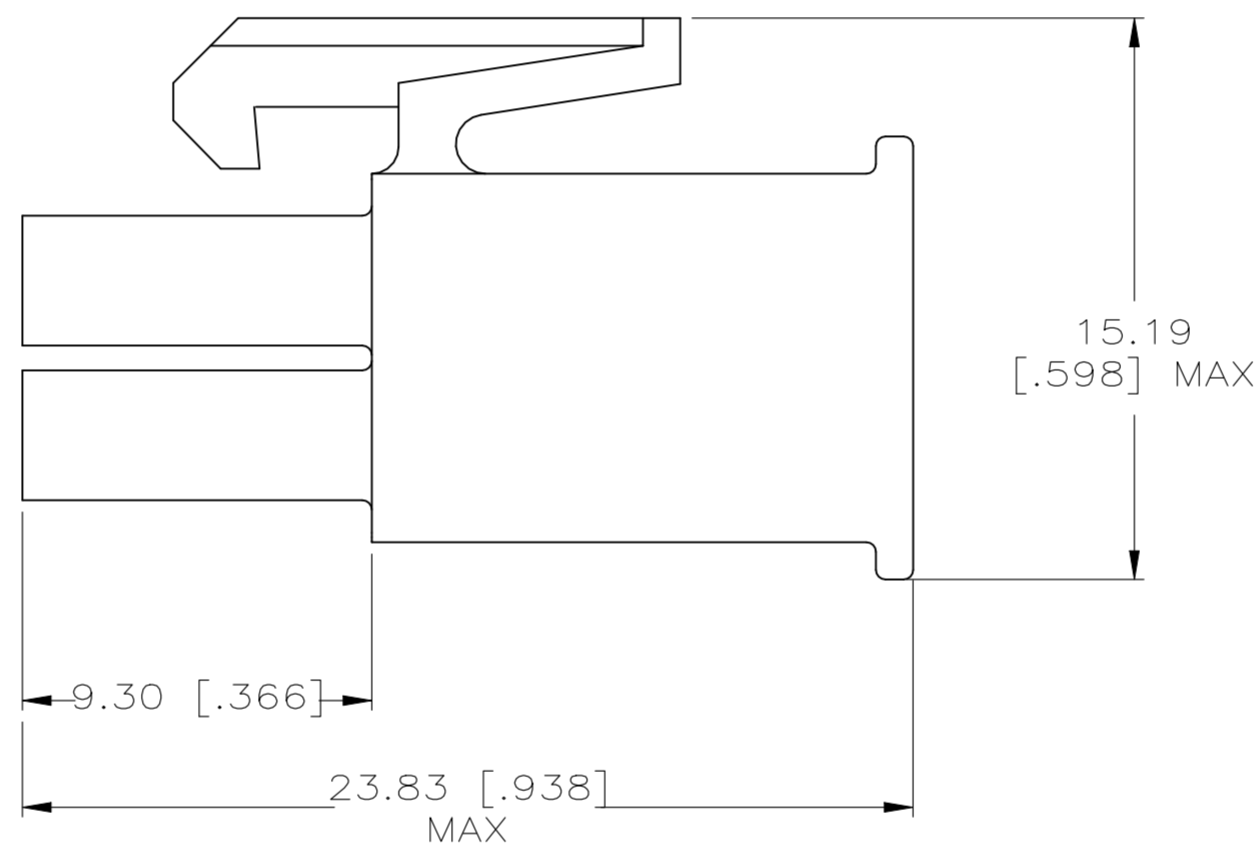
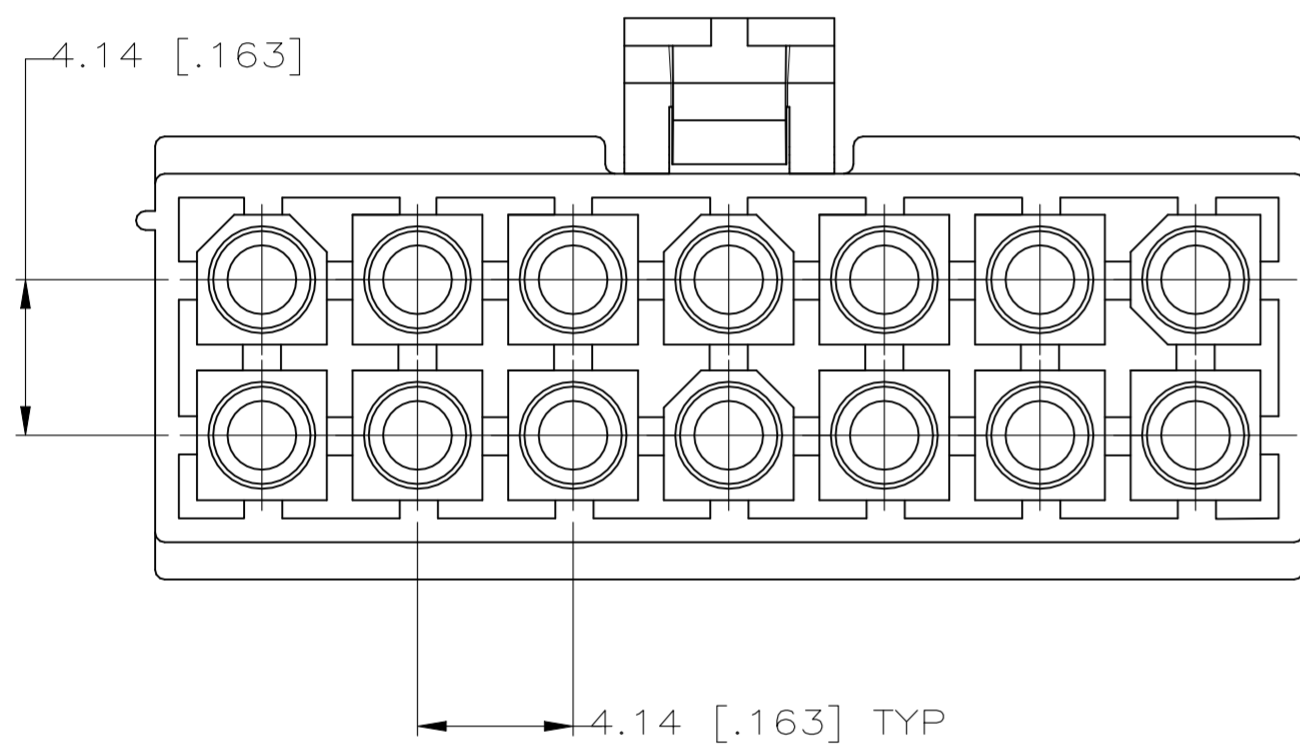
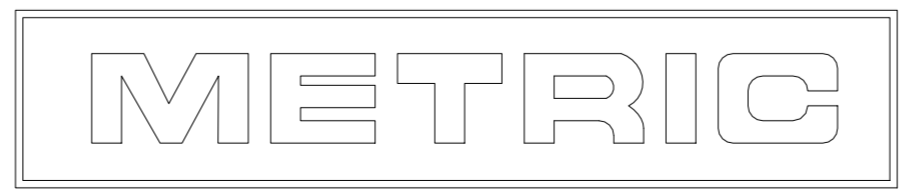


REVISIONS					
P	LTR	DESCRIPTION	DATE	DWN	APVD
	J	REVISED PER ECR-24-208943	17MAY2024	DK	JP

1. INDIVIDUAL CORING FEATURES AROUND BASES OF SILOS MAY NOT BE PRESENT IN ALL LOCATIONS SHOWN.



770582-1
PART NUMBER



THIS DRAWING IS A CONTROLLED DOCUMENT.		DWN S. HOOVER 12-MAY-2004		
DIMENSIONS: mm [INCHES]		CHK C. JONES 12-MAY-2004		
TOLERANCES UNLESS OTHERWISE SPECIFIED:		APVD C. JONES 12-MAY-2004	NAME	
0 PLC ±		PRODUCT SPEC		
1 PLC ±		APPLICATION SPEC		
2 PLC ±		WEIGHT 0.000000		
3 PLC ± 0.13 [.005]		SIZE A2 CAGE CODE 00779 C=770582		
4 PLC ±		CUSTOMER DRAWING		
ANGLES ±		SCALE 5:1 SHEET 1 OF 1 REV J		
FINISH		RESTRICTED TO		
MATERIAL NYLON, UL 94V-0 WHITE		PLUG, 14 CIRCUIT, MINI UNIVERSAL MATE-N-LOK™		