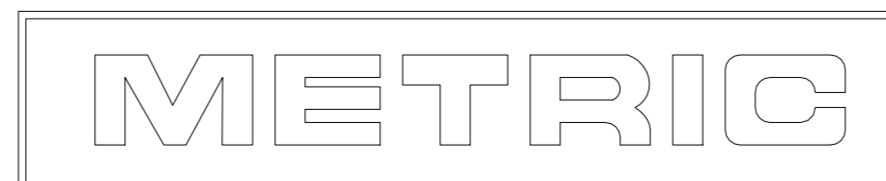
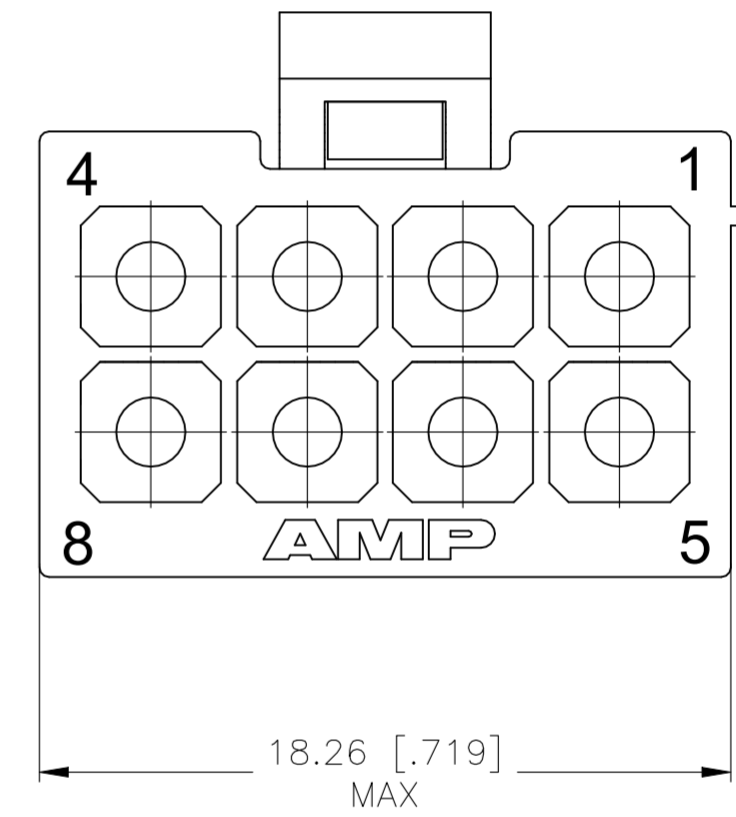
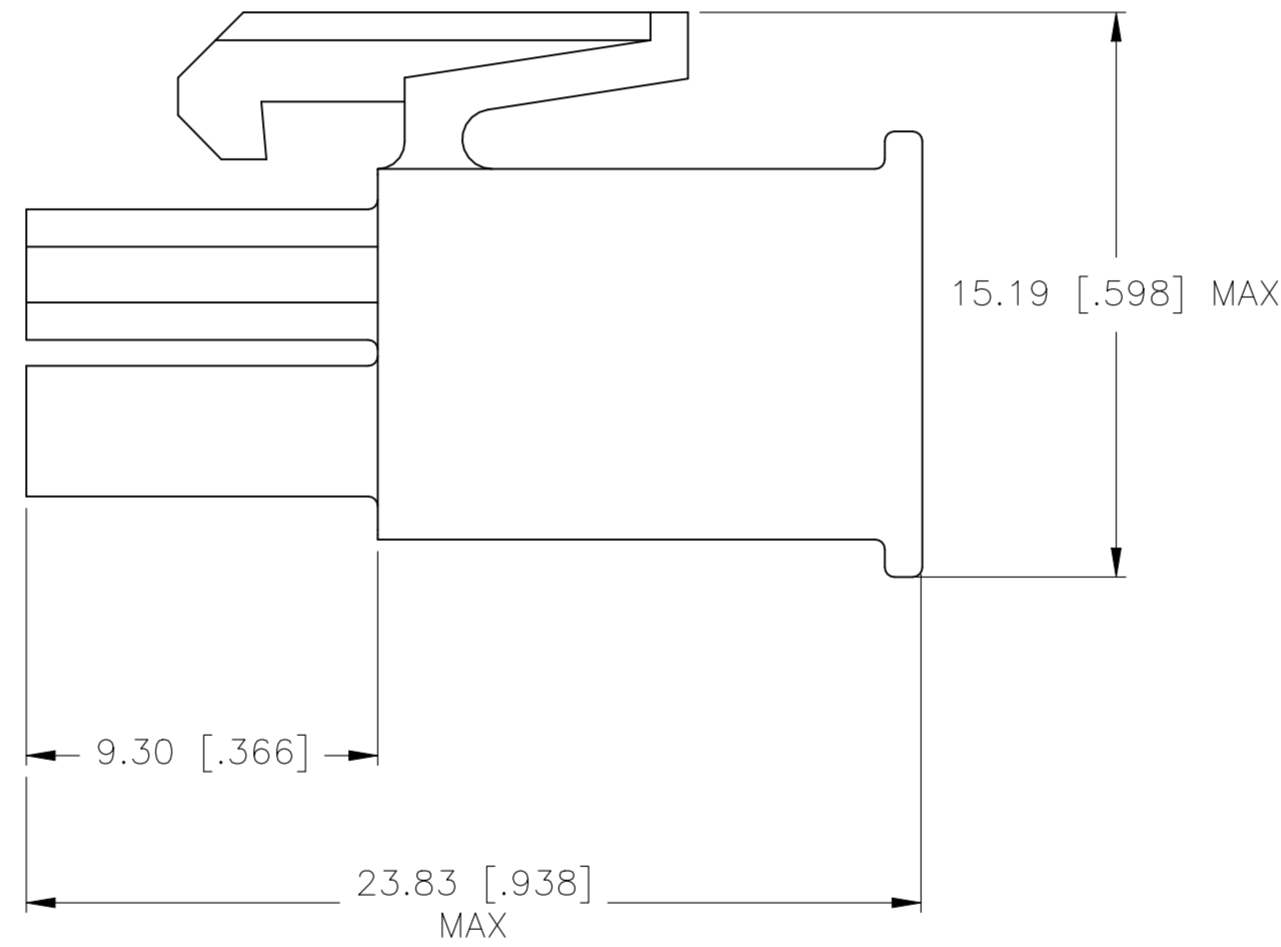
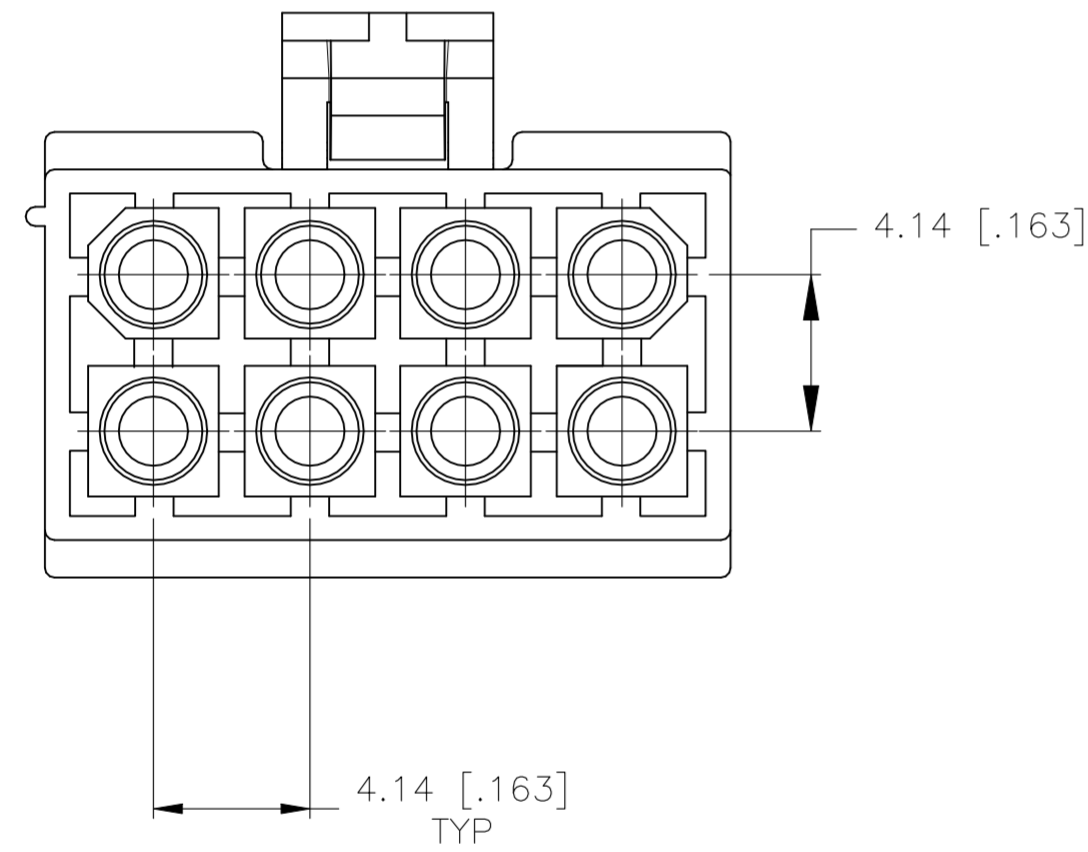


REVISIONS					
P	LTR	DESCRIPTION	DATE	DWN	APVD
L		REVISED PER ECR-24-208943	17MAY2024	DK	JP

1. INDIVIDUAL CORING FEATURES AROUND BASES OF SILOS MAY NOT BE PRESENT IN ALL LOCATIONS SHOWN.



770579-1
PART NUMBER

THIS DRAWING IS A CONTROLLED DOCUMENT.		DWN S. HOOVER 14-MAY-2004	TE Connectivity		
DIMENSIONS: mm [INCHES]		CHK C. JONES 12-MAY-2004			
TOLERANCES UNLESS OTHERWISE SPECIFIED:		APVD C. JONES 12-MAY-2004	NAME PLUG, TM 8 CIRCUIT, MINI UNIVERSAL MATE-N-LOK		
0 PLC ± 1 PLC ± 2 PLC ± 3 PLC ± 0.13 [.005] 4 PLC ± ANGLES ±		PRODUCT SPEC	RESTRICTED TO		
MATERIAL NYLON, UL 94V-0 WHITE		FINISH	APPLICATION SPEC	SIZE A2	CAGE CODE 00779
		WEIGHT 0.000000	DRAWING NO C-770579	SCALE 5:1	SHEET 1 of 1
		CUSTOMER DRAWING	REV L		