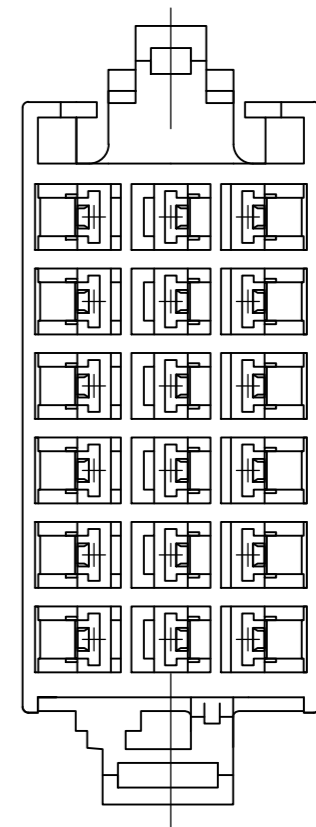
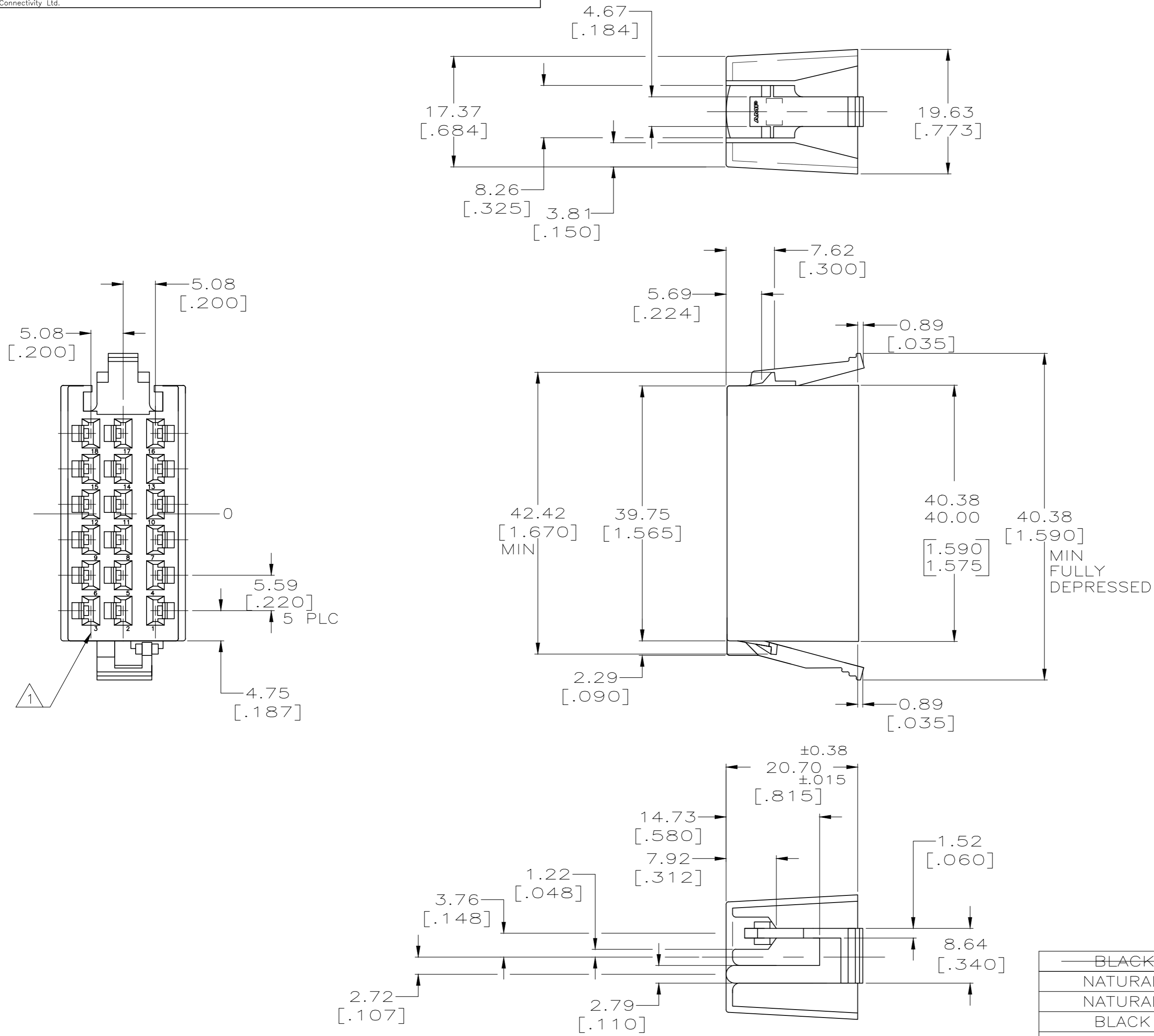


THIS DRAWING IS UNPUBLISHED. RELEASED FOR PUBLICATION
 © COPYRIGHT - TE Connectivity Ltd. ALL RIGHTS RESERVED.

REVISIONS					
P	LTR	DESCRIPTION	DATE	DWN	APVD
V3		REVISED PER ECR-18-008168	09JUL18	MD	TD

- 1 CIRCUIT IDENTIFICATION.
- 2 FOREIGN PRODUCTION ONLY.
- 3 OBSOLETE PARTS: OBSOLETE CIS STREAMLINING PER D.RENAUD/D.SINISI
- 4 OBSOLETE



FINISH	MATERIAL	PART NUMBER
BLACK	NYLON 6/66, UL 94V=0	770199-4 4
NATURAL	NYLON 6/6	770199-3 2
NATURAL	NYLON 6/6, UL94 V=0	770199-2 2 3
BLACK	NYLON 6/6	770199-1

THIS DRAWING IS A CONTROLLED DOCUMENT.		DWN M.S. FEHER 10NOV2000	TE TE Connectivity Ltd.	
DIMENSIONS: mm [INCHES]		CHK J.R. RUTH 10NOV2000		
TOLERANCES UNLESS OTHERWISE SPECIFIED:		APVD DON DECKER 10NOV2000	NAME	
0 PLC ± -	1 PLC ± -	PRODUCT SPEC	HOUSING, RIGHT HAND, 18 CIRCUIT, TIMER CONNECTOR	
2 PLC ± 0.25 [.010]	3 PLC ± -	APPLICATION SPEC	SIZE A2	CAGE CODE 00779
4 PLC ± -	ANGLES ± -		DRAWING NO C=770199	RESTRICTED TO -
MATERIAL SEE TABLE	FINISH SEE TABLE	WEIGHT 0,000000	SCALE 2:1	SHEET 1 of 1
		CUSTOMER DRAWING	REV V3	