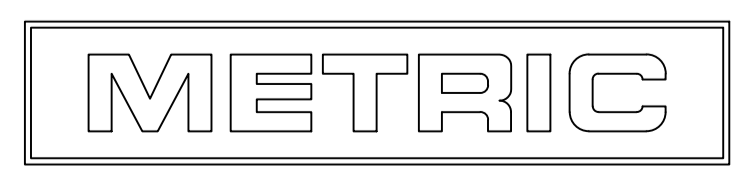
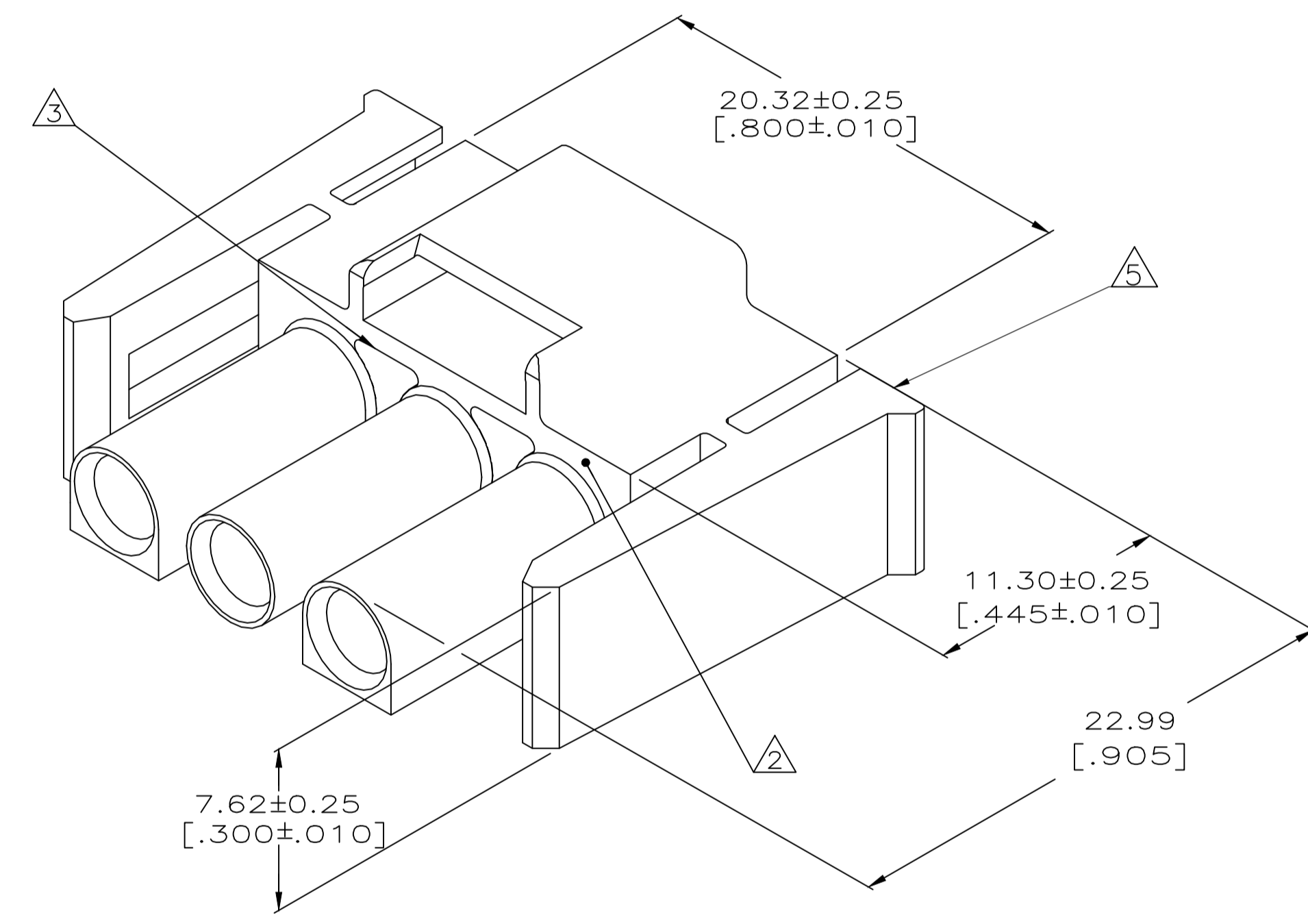


REVISIONS				
P	LYR	DESCRIPTION	DATE	OWN APVD
E2		REV. ECO 17-011267	13SEP2017	HC KR

- MUST BE ASSEMBLED WITH PLUG REAR P/N 770034-1 BEFORE MATING. KIT P/N IS 770018-1.
- AMP LOGO LOCATED THIS SURFACE.
- NEW MOLD CONSTRUCTION PROVIDES MATERIAL REDUCTION CORING AT BASE OF SILOS WITH NO CORING AS OPTIONAL.
- DIMENSIONS SHOWN REPRESENT PRODUCT IN DRY, AS MOLDED CONDITION. ADDITIONAL 2% GROWTH DUE TO SUBSEQUENT MOISTURE ABSORPTION MAY OCCUR AND SHOULD BE ACCOUNTED FOR
- CSA CERTIFICATION LOGO LOCATED APPROXIMATELY AS SHOWN



770033-1  
PART NUMBER

THIS DRAWING IS A CONTROLLED DOCUMENT.		OWN K. SALMON 1-15-92	770033-1	
DIMENSIONS: INCHES		CHK T. SWING 1-15-92	APVD	
TOLERANCES UNLESS OTHERWISE SPECIFIED:		NAME		
0 PLC ± -	1 PLC ± -	STE TE Connectivity		
2 PLC ± -	3 PLC ± -	PRODUCT SPEC		
4 PLC ± 0.13 [0.005]	ANGLES ± -	APPLICATION SPEC		
MATERIAL NYLON,UL94V-0,	FINISH	WEIGHT 0.000000	SIZE A1	CAGE CODE 00779
CUSTOMER DRAWING		DRAWING NO C=770033	RESTRICTED TO	
SCALE 5:1		SHEET 1	OF 1	REV E2