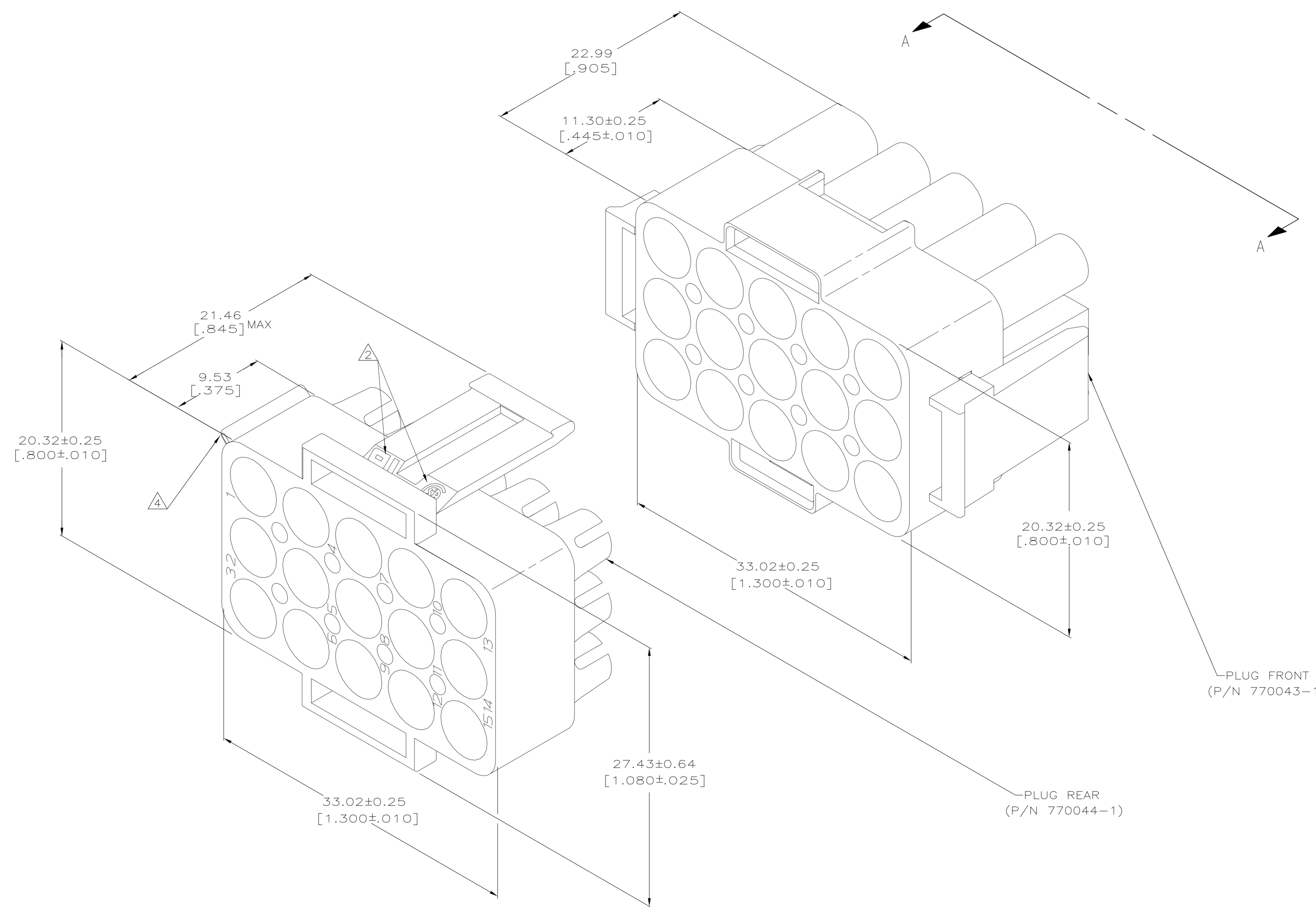
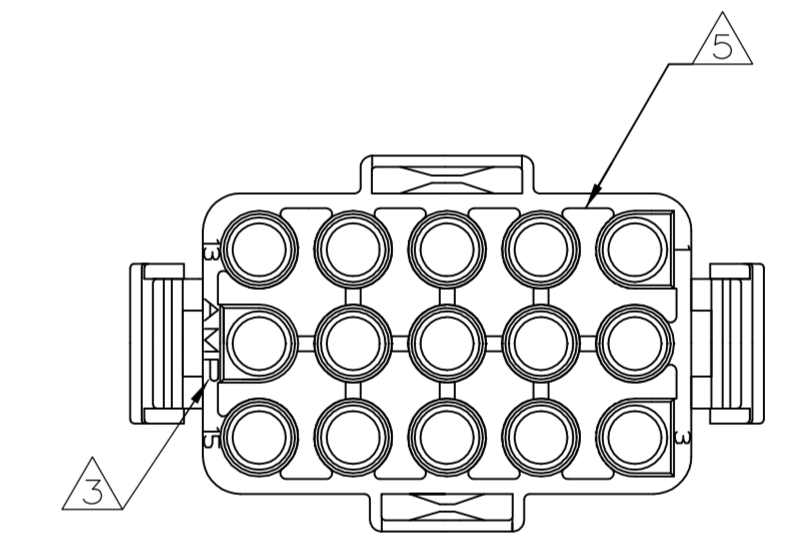


REVISIONS					
P	LTR	DESCRIPTION	DATE	DWN	APVD
E1		UPDATED PER ECO-17-009556	03JUL2017	RS	SW



1. BULK PACKAGED, UNASSEMBLED.
- ① APPROVAL AGENCY LOGO LOCATED APPROXIMATELY AS SHOWN.
- ③ AMP LOGO LOCATED THIS SURFACE.
- ④ CIRCUIT NUMBER ONE IDENTIFICATION RIB AND CIRCUIT IDENTIFICATION NUMBERS ARE EACH LOCATED ADJACENT TO THE APPROPRIATE CIRCUIT CAVITIES.
- ⑤ NEW MOLD CONSTRUCTION PROVIDES MATERIAL REDUCTION CORING AT BASE OF SILOS WITH NO CORING AS OPTIONAL.
6. DIMENSIONS SHOWN REPRESENT PRODUCT IN DRY, AS MOLDED CONDITION. ADDITIONAL 2% GROWTH DUE TO SUBSEQUENT MOISTURE ABSORPTION MAY OCCUR AND SHOULD BE ACCOUNTED FOR



VIEW A-A
SCALE 2:1

PLUG FRONT
(P/N 770043-1)

PLUG REAR
(P/N 770044-1)

770023-1
PART NUMBER

METRIC

THIS DRAWING IS A CONTROLLED DOCUMENT.		DWN K. SALMON 1-22-92	TE Connectivity																						
DIMENSIONS: INCHES		CHK R. SWING 1-22-92	NAME PLUG HOUSING KIT, 15 CIRCUIT, UNIVERSAL MATE-N-LOK																						
TOLERANCES UNLESS OTHERWISE SPECIFIED:		APVD -	PRODUCT SPEC -																						
<table border="1"> <tr><td>0. PLG</td><td>±</td><td>-</td></tr> <tr><td>1. PLG</td><td>±</td><td>-</td></tr> <tr><td>2. PLG</td><td>±</td><td>-</td></tr> <tr><td>3. PLG</td><td>±</td><td>0.13 [.005]</td></tr> <tr><td>4. PLG</td><td>±</td><td>-</td></tr> <tr><td>ANGLES</td><td>±</td><td>-</td></tr> <tr><td>FINISH</td><td>-</td><td>-</td></tr> </table>		0. PLG	±	-	1. PLG	±	-	2. PLG	±	-	3. PLG	±	0.13 [.005]	4. PLG	±	-	ANGLES	±	-	FINISH	-	-	APPLICATION SPEC -	SIZE A1	CAGE CODE 00779
0. PLG	±	-																							
1. PLG	±	-																							
2. PLG	±	-																							
3. PLG	±	0.13 [.005]																							
4. PLG	±	-																							
ANGLES	±	-																							
FINISH	-	-																							
MATERIAL NYLON,UL94V-0,	FINISH -	WEIGHT 0.000000	DRAWING NO 770023	RESTRICTED TO -																					
CUSTOMER DRAWING		SCALE 5:1	SHEET 1 of 1	REV E1																					