

THIS DRAWING IS UNPUBLISHED.

RELEASED FOR PUBLICATION

© COPYRIGHT - BY TYCO ELECTRONICS CORPORATION.

ALL RIGHTS RESERVED.

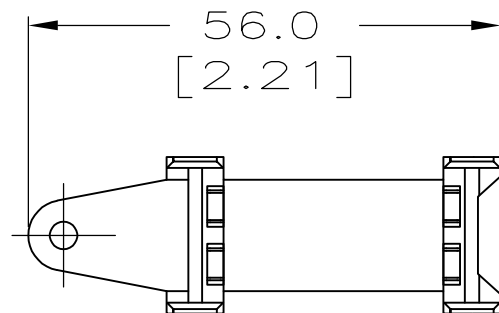
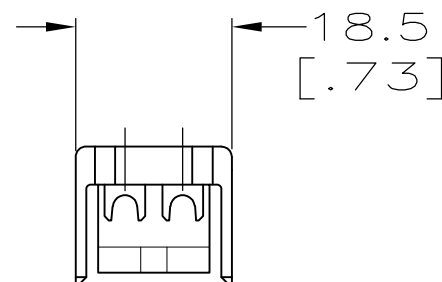
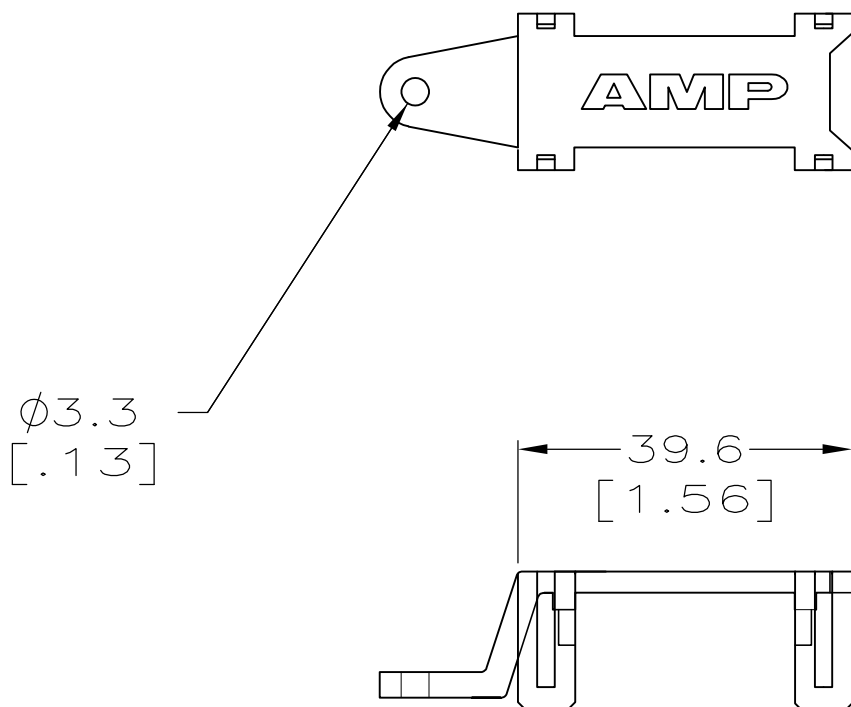
LOC GP DIST 00

REVISIONS

P	LTR	DESCRIPTION	DATE	DWN	APVD
	H	REVISE PER 08-004947 ECO/RTS 100612	24/MAR/08	ECC	JS

AMPOWER Is a registered trademark of AMP Incorporated.

1. 2 STRAIN RELIEFS REQUIRED PER CONNECTOR.



765242-1

THIS DRAWING IS A CONTROLLED DOCUMENT.		DWN -	Tyco Electronics Corporation Harrisburg, PA 17105-3608		
DIMENSIONS: mm		CHK -	NAME AMPOWER Wave Crimp System STRAIN RELIEF		
TOLERANCES UNLESS OTHERWISE SPECIFIED:		APVD -	PRODUCT SPEC 108-1319		
0 PLC ± -		APPLICATION SPEC 114-49005		SIZE	RESTRICTED TO
1 PLC ± -		WEIGHT -		CAGE CODE	
2 PLC ± 0.5 [.02]		CUSTOMER DRAWING		DRAWING NO	
3 PLC ± 0.25 [.010]		SCALE FULL		SHEET 1 OF 1	REV H
4 PLC ± -		FINISH -		A3 00779 C-765242	
ANGLES ± -					
MATERIAL BLACK THERMOPLASTIC					