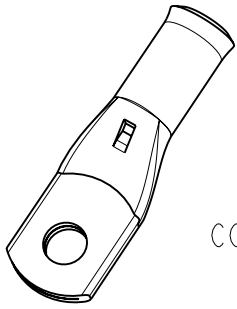
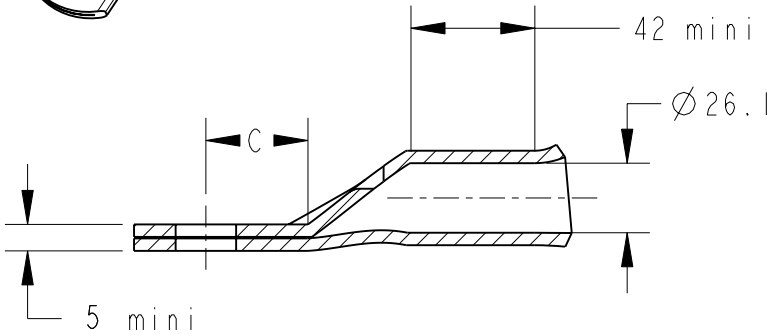


LOC		DIST		REVISIONS				
P	LTR REV	DESCRIPTION MODIFICATIONS		DATE	DWN DESS.	APVD APP.		
	A	MISE A JOURS / AJOUT NOTA		07DEC2009	BG	GP		
	B	ECR-11-018538		07SEP2011	LP	NA		



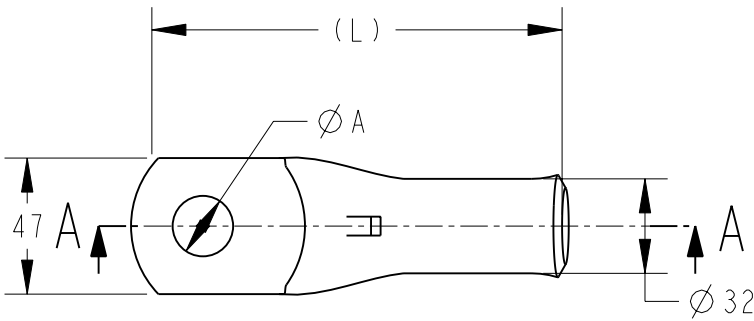
COUPE A-A



Inspection hole



Ces produits répondent à la norme NFC 20-130.
 These products are NFC 20-130 compliant.



(L)	C	ØA	DESCRIPTION	PART NUMBER
120	23	16,5	XCT 400-16	709887-1
120	23	21	XCT 400-20	709887-5
120	23	24	XCT 400-24	709887-4

- 1 - MATERIAL = TINNED COPPER
- 2 - Marking in depth: logo-section-hole-Made in France +
- 3 - CABLE SECTION = 800 MCM or 400 mm2
- 4 - GROOVE E400Cu OR DIE (Punch 27P400+ Die 27M400)

20

RELEASED FOR PUBLICATION
 LIBRE A LA DIFFUSION

ALL RIGHTS RESERVED.
 TOUS DROITS RESERVES.

THIS DRAWING IS UNPUBLISHED.
 DIFFUSION RESTREINTE

© COPYRIGHT 20

TOLERANCES UNLESS OTHERWISE SPECIFIED: -
 TOLERANCES NON SPECIFIEES: -

DIMENSIONS: mm		DWN/DESSINE D. LEGUY	15DEC00	MATERIAL MATIERE	CUIVRE	FINISH FINITION	ETAME	
<p>TOLERANCES UNLESS OTHERWISE SPECIFIED: TOLERANCES NON SPECIFIEES (SUIV NB DE DECIMALES):</p> <p>0 PLC/DEC: ±0 1 PLC/DEC: ±0 2 PLC/DEC: ±0 3 PLC/DEC: ±0 4 PLC/DEC: ±0</p> <p>ANGLES ±-</p>		CHK/VERIFIE E. DEREY	-	TE Connectivity				
		APVD/APPROUVE N. ALMEIDA	-					
		PRODUCT SPEC SPEC. PRODUIT	-	NAME TITRE	XCT 400-..			
		APPLICATION SPEC SPEC. APPLICATION	-	SIZE FORMAT	CAGE CODE	DRAWING NO No PLAN	RESTRICTED TO RESERVE A	
WEIGHT MASSE APPROX.		A 4		00779	C=709887		-	
CUSTOMER DRAWING		/PLAN CLIENT		UNIQUEMENT POUR REFERENCE	SCALE ECHELLE - / -	SHEET FEUILLE 1	OF DE 1	
							REV B	