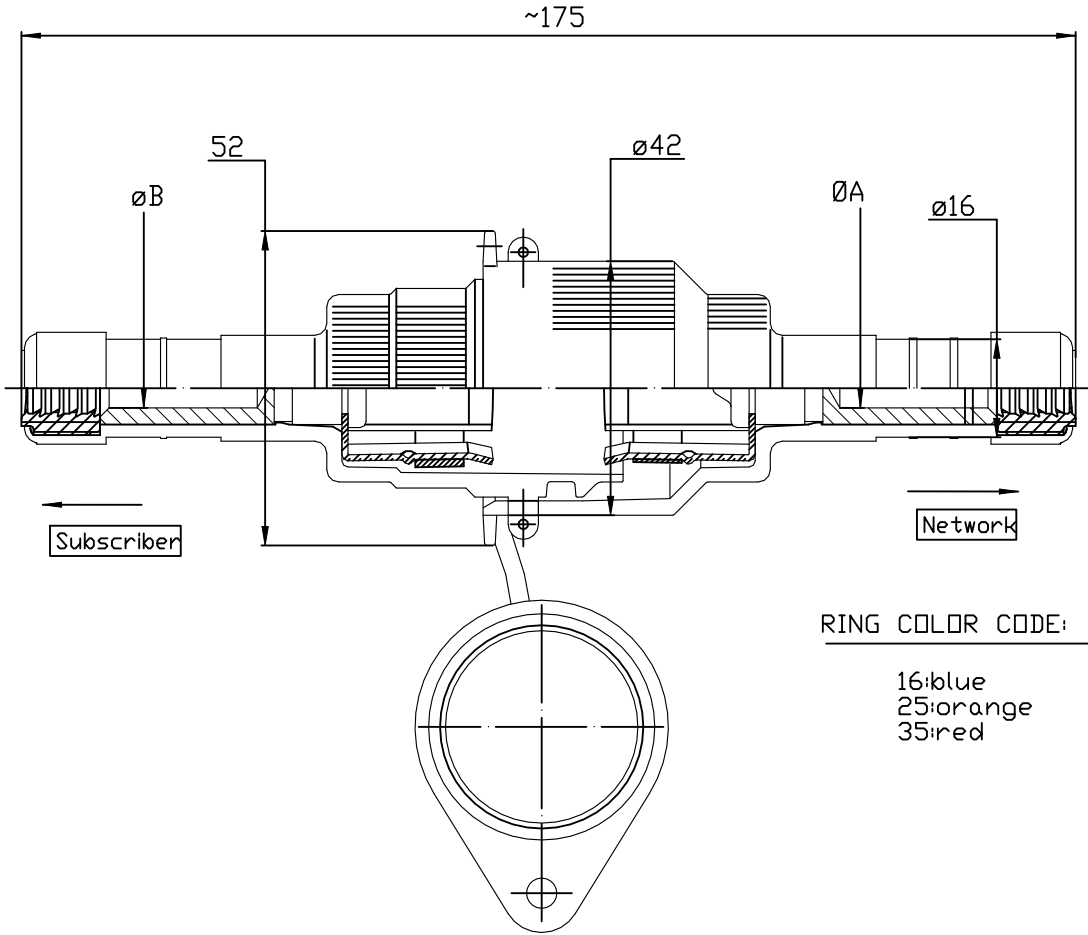


LDC		DIST		REVISIONS				
P	LTR REV	DESCRIPTION MODIFICATIONS			DATE	DWN DESS.	APVD APPR	
	FH 00	A	CREATION (was 07VAD0180)			09-July-08	BM	GN
		B	ECR-14-013129			03/09/14	JB	GN
		C	ECN-23-216557			02JUN2023	RS	JB



Network Section (mm)	Subscriber Section (mm)	PN	Reference	Dimensions		Die
				ØA	ØB	
4	4	1273096-1	CCFBD 4-4 AUS	Ø2.7	Ø2.7	E140
6	6	2099300-1	CCFBD 6-6	Ø3.3	Ø3.3	
10	10	2099302-1	CCFBD 10-10	Ø4.3	Ø4.3	
16	16	709152-1	CCFBD 16-16	Ø5.3	Ø5.3	
16	16	716537-1	CCFBD 16E-16E	Ø5.6	Ø5.6	
25	25	709153-1	CCFBD 25-25	Ø6.5	Ø6.5	
4	4	2832425-1	CCFBD 4-4 (CART 100)	Ø2.7	Ø2.7	


RELEASED FOR PUBLICATION

ALL RIGHTS RESERVED.
TOUS DROITS RÉSERVÉS

BY TYCO ELECTRONICS CORPORATION

© COPYRIGHT 2007

THIS DRAWING IS UNPUBLISHED.
DIFFUSION RESTREINTE

DIMENSIONS: mm	DWN /DESSINE B. MILLOT	09-July-08	MATERIAL MATIERE	ALU & PLASTIC	FINISH FINITION	-
	CHK /VERIFIE E.DEREY	-	 TE connectivity SIMEL PRODUCTS			
TOLERANCES UNLESS OTHERWISE SPECIFIED PER TOLERANCES NON SPECIFIEES SELOIN :-	APVD /APPROUVE G. NEDELLEC	-				
	PRODUCT SPEC SPEC. PRODUIT	-	SIZE FORMAT	A4	CAGE CODE	00779
	APPLICATION SPEC SPEC. APPLICATION	-	DRAWING NO No PLAN	C=709152	RESTRICTED TO RESERVE A	-
	APPROX. WEIGHT MASSE APPROX.	180g	UNIQUEMENT POUR REFERENCE	SCALE ECHELLE	1:1	SHEET FEUILLE
CUSTOMER DWG / PLAN CLIENT			OF DE	1	REV	C