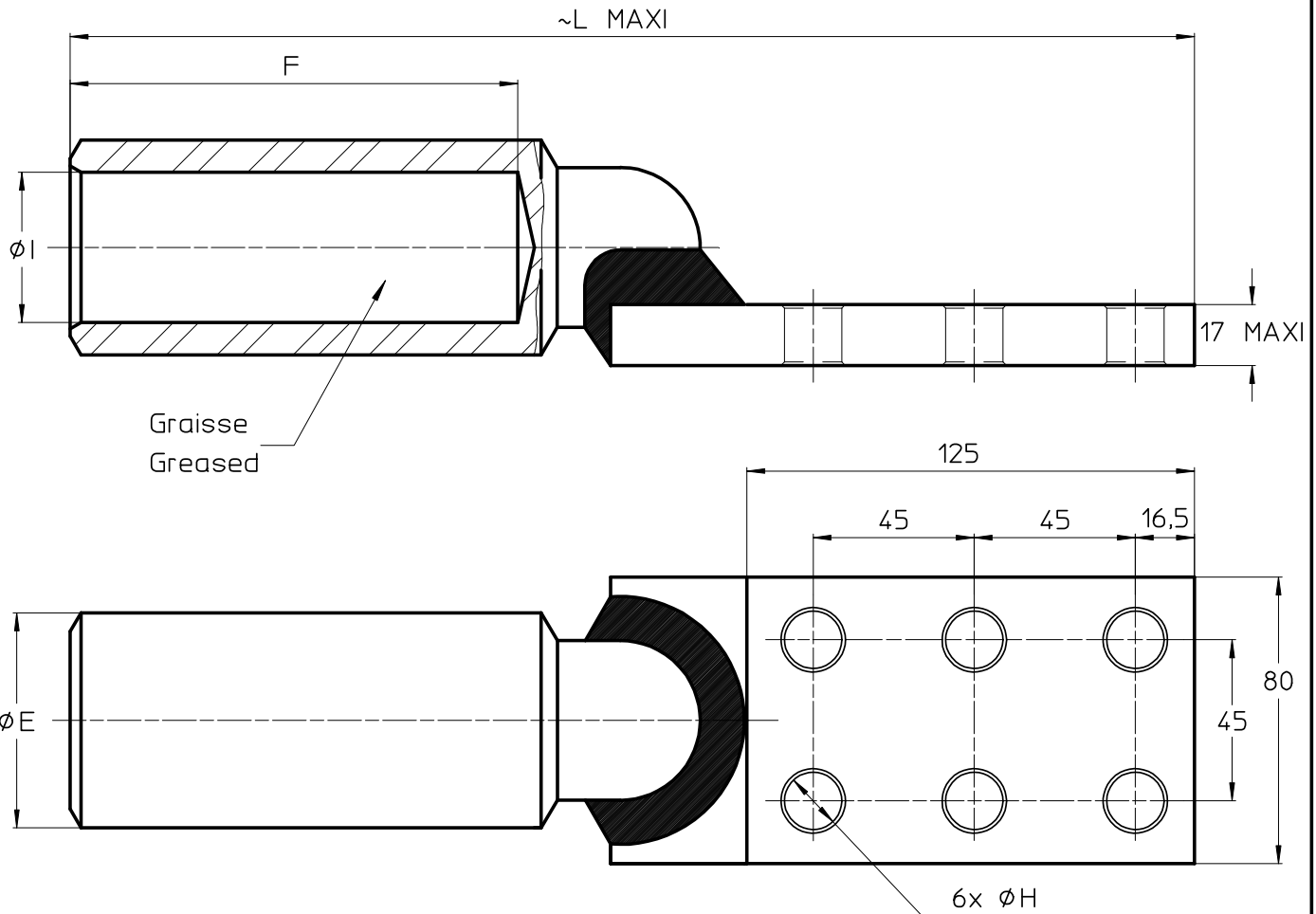


LOC	DIST	REVISIONS					
		P	LTR REV	DESCRIPTION MODIFICATIONS	DATE	DWN DESS.	APVD APPR
-	-		A	Creation	20-Nov-12	GC	NA

MARQUAGE: Reference Logo Lot Outil

MARKING: Reference Logo Batch Die



SECTION (mm <sup>2</sup> )	PN	REFERENCE	DIMENSIONS(mm)					OUTIL DIE
			$\phi I$	$\phi E$	F	$\phi H$	$\sim L$	
500	708309-1	XD8 500 C 6A 500	29.1	47	96	16.5	280	MC 6E. 6E
630	708309-2	XD8 630 C 6A 630	32.5	47	96	16.5	280	MC 6E. 6E
800	708314-1	XD8 800 C 7A 800	37.5	60	123	16.5	314	MC 7E. 7E
1000	708314-2	XD8 1000 C 7A 1000	42	60	123	16.5	314	MC 7E. 7E
1200	708317-1	XD8 1200 C 8A 1200	45.5	65	136	16.5	345	MC 8E. 8E

2011  
 RELEASED FOR PUBLICATION  
 LIBRE A LA DIFFUSION

ALL RIGHTS RESERVED.  
 TOUS DROITS RESERVES

BY TYCO ELECTRONICS CORPORATION

© COPYRIGHT 2011

THIS DRAWING IS UNPUBLISHED.  
 DIFFUSION RESTREINTE

DIMENSIONS:

mm

TOLERANCES UNLESS  
 OTHERWISE SPECIFIED PER  
 TOLERANCES NON SPECIFIEES  
 SELON : -



DWN /DESSINE 20-Nov-12  
 G.CARLHIAN

CHK /VERIFIE -  
 E.DEREY

APVD /APPROUVE -  
 N.ALMEIDA

PRODUCT SPEC  
 SPEC. PRODUIT -

APPLICATION SPEC  
 SPEC. APPLICATION  
 C33-090-1

APPROX. WEIGHT  
 MASSE APPROX. -

MATERIAL  
 MATIERE Alu 1050

FINISH  
 FINITION -



TE connectivity  
 SIMEL PRODUCTS

NAME  
 TITRE XD8 ... C .....

SIZE  
 FORMAT A4

CAGE CODE  
 00779

DRAWING NO  
 No PLAN  
 © = 708309

RESTRICTED TO  
 RESERVE A -

CUSTOMER DWG / PLAN CLIENT

UNIQUEMENT  
 POUR REFERENCE

SCALE  
 ECHELLE 1:1

SHEET  
 FEUILLE 1 OF 1 DE 1

REV  
 A