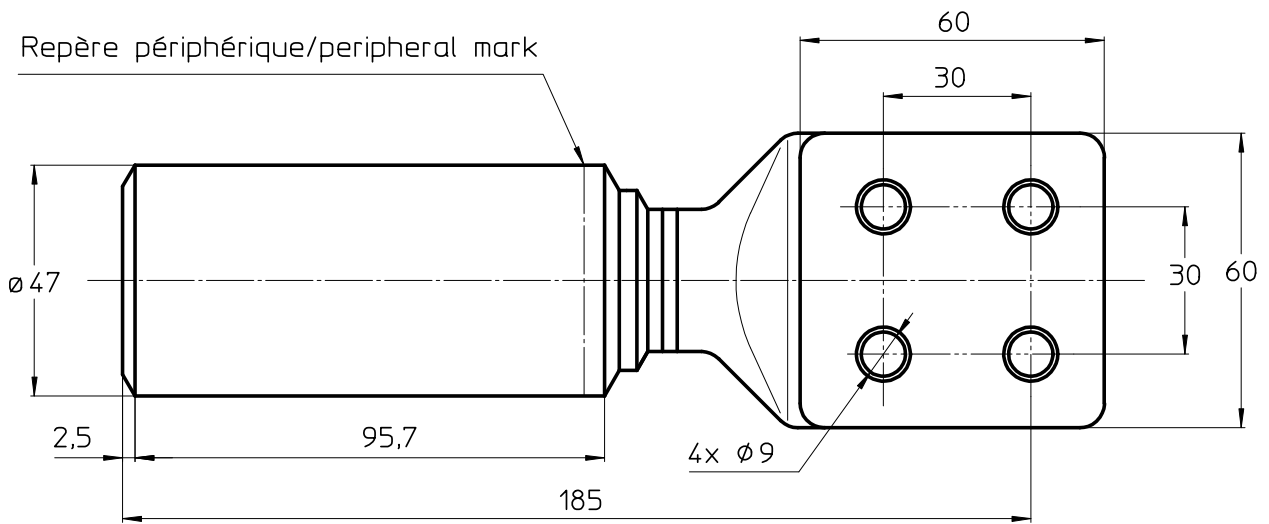
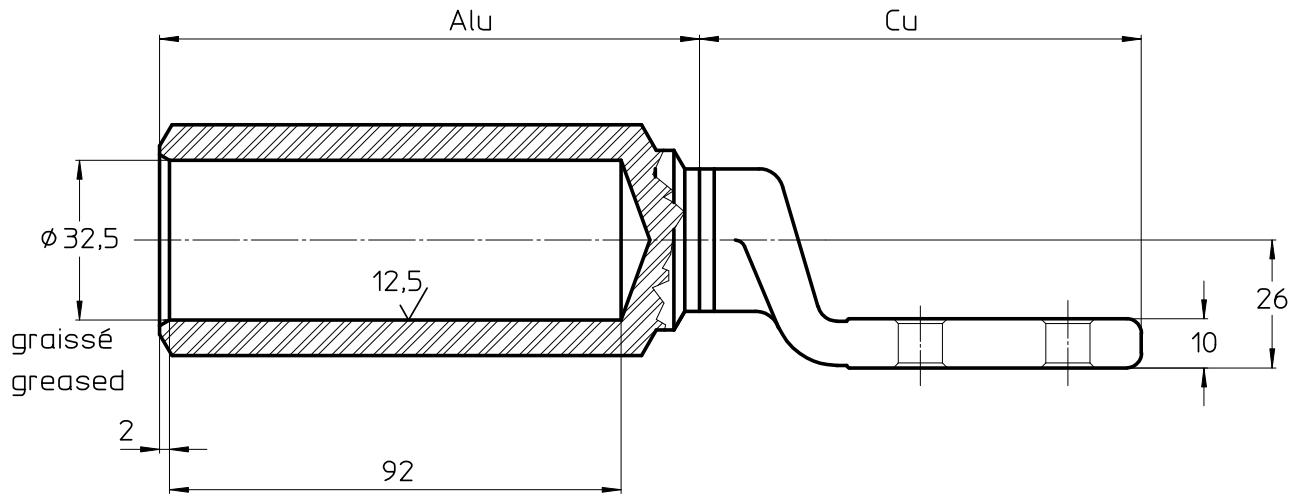

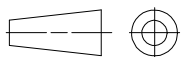


LOC	DIST	REVISIONS					
		P	LTR REV	DESCRIPTION MODIFICATIONS	DATE	DWN DESS.	APVD APPR
-	-		A	CREATION	04-Mai-10	GC	AG



MARQUAGE/MARKING: DESCRIPTION LOGO LOT MC6E 6E
 DESCRIPTION LOGO BATCH MC6E 6E

708270-2
 Part Number

DIMENSIONS: mm	DWN /DESSINE G.CARLHIAN	04-Mai-10	MATERIAL MATIERE	Alu/Cu	FINISH FINITION	-		
	CHK /VERIFIE E.DEREY	-	 TE connectivity SIMEL PRODUCTS					
TOLERANCES UNLESS OTHERWISE SPECIFIED PER TOLERANCES NON SPECIFIEES SELON :-	APVD /APPROUVE G.PORCHERAY	-						
	PRODUCT SPEC SPEC. PRODUIT	-	NAME TITRE	XDX 630 C-6AU 630				
	APPLICATION SPEC SPEC. APPLICATION	C33-090-1	SIZE FORMAT	A4	CAGE CODE	00779		
	APPROX. WEIGHT MASSE APPROX.	-	DRAWING NO No PLAN	© = 708270-2		RESTRICTED TO RESERVE A	-	
CUSTOMER DWG / PLAN CLIENT			UNIQUEMENT POUR REFERENCE	SCALE ECHELLE	- :-	SHEET FEUILLE	1 OF 1 DE 1	REV A

2011
 RELEASED FOR PUBLICATION
 LIBRE A LA DIFFUSION
 ALL RIGHTS RESERVED.
 TOUS DROITS RESERVES
 BY TYCO ELECTRONICS CORPORATION
 2011
 THIS DRAWING IS UNPUBLISHED.
 DIFFUSION RESTREINTE
 COPYRIGHT