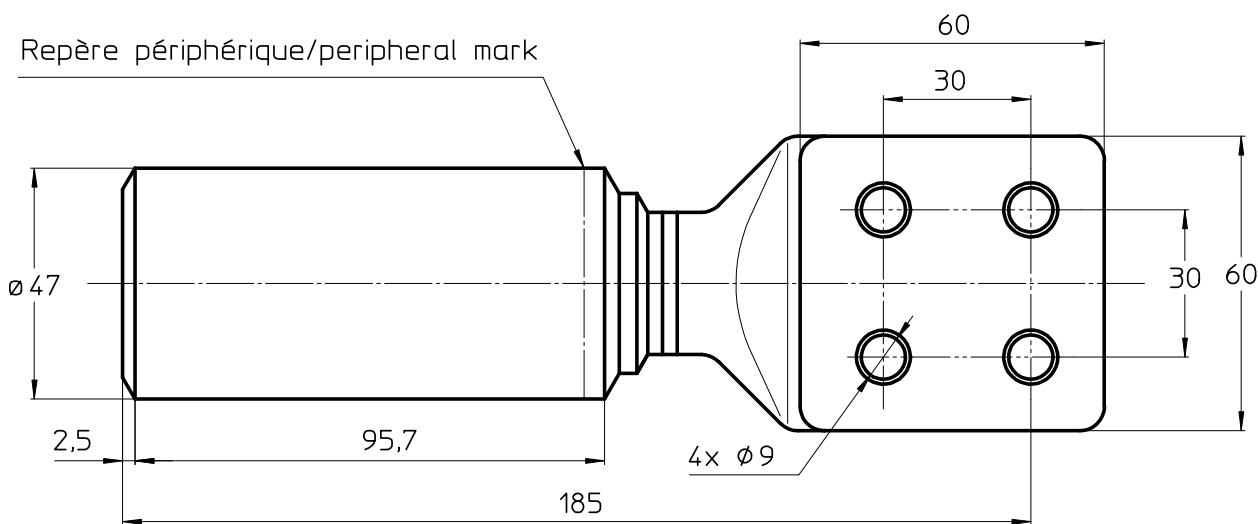
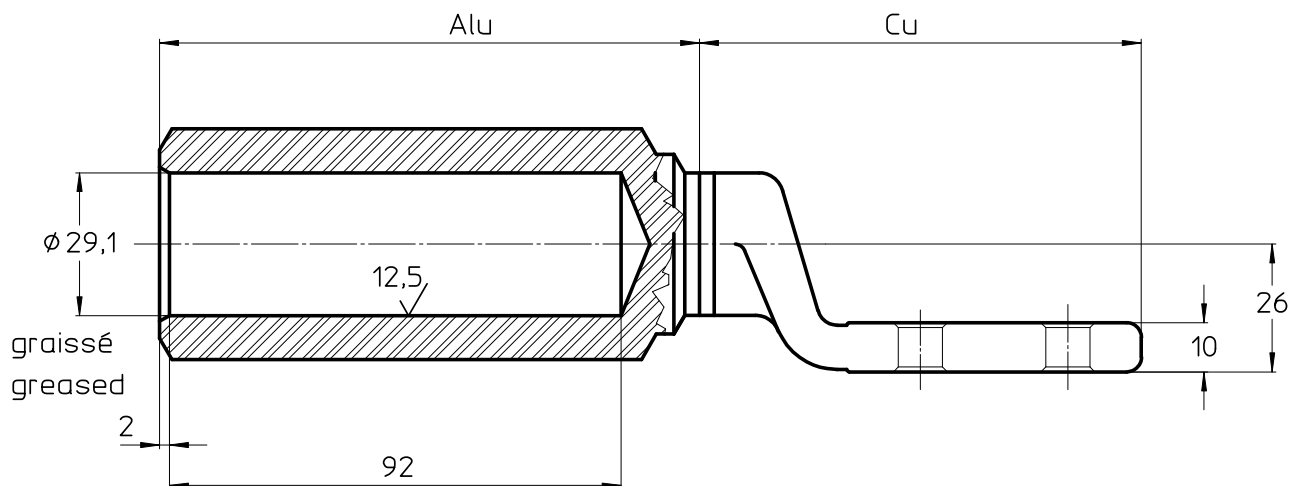



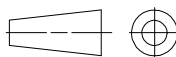
LOC	DIST	REVISIONS					
		P	LTR REV	DESCRIPTION MODIFICATIONS	DATE	DWN DESS.	APVD APPR
-	-		A	CREATION	08-Avr-09	GC	AG



MARQUAGE/MARKING: DESCRIPTION LOGO LOT MC6E 6E
 DESCRIPTION LOGO BATCH MC6E 6E

708270-1

Part Number

DIMENSIONS: mm	DWN /DESSINE G.CARLHIAN	08-Avr-09	MATERIAL MATIERE	Alu/Cu	FINISH FINITION	-		
	CHK /VERIFIE E.DEREY	-	 TE connectivity SIMEL PRODUCTS					
TOLERANCES UNLESS OTHERWISE SPECIFIED PER TOLERANCES NON SPECIFIEES SELON :-	APVD /APPROUVE G.PORCHERAY	-						
	PRODUCT SPEC SPEC. PRODUIT	-	NAME TITRE	XDX 500 C-6AU 500				
	APPLICATION SPEC SPEC. APPLICATION	C33-090-1	SIZE FORMAT	A4	CAGE CODE	00779		
	APPROX. WEIGHT MASSE APPROX.	-	DRAWING NO No PLAN	© = 708270-1		RESTRICTED TO RESERVE A	-	
CUSTOMER DWG / PLAN CLIENT			UNIQUEMENT POUR REFERENCE	SCALE ECHELLE	- :-	SHEET FEUILLE	1 OF 1 DE 1	REV A

2011

RELEASED FOR PUBLICATION
LIBRE A LA DIFFUSION

BY TYCO ELECTRONICS CORPORATION
ALL RIGHTS RESERVED.
TOUS DROITS RESERVES

© COPYRIGHT 2011

THIS DRAWING IS UNPUBLISHED.
DIFFUSION RESTREINTE