

4

3

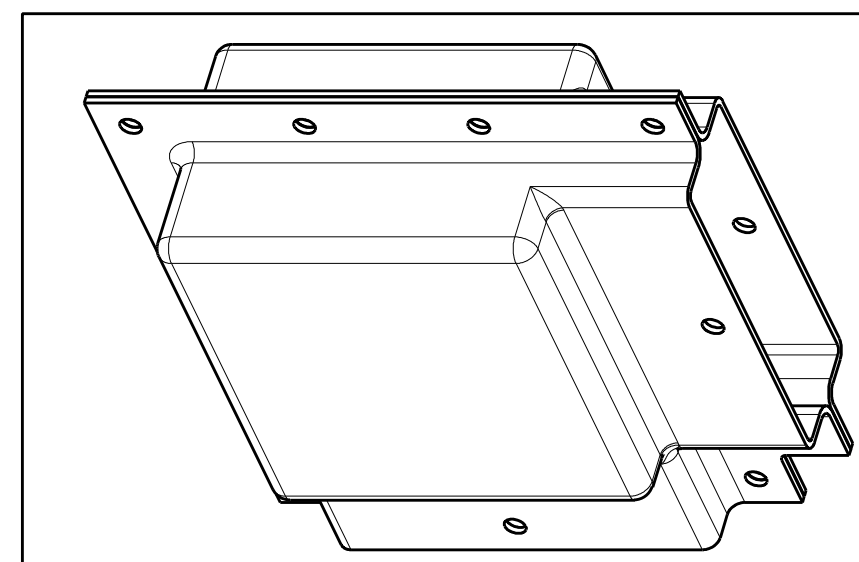
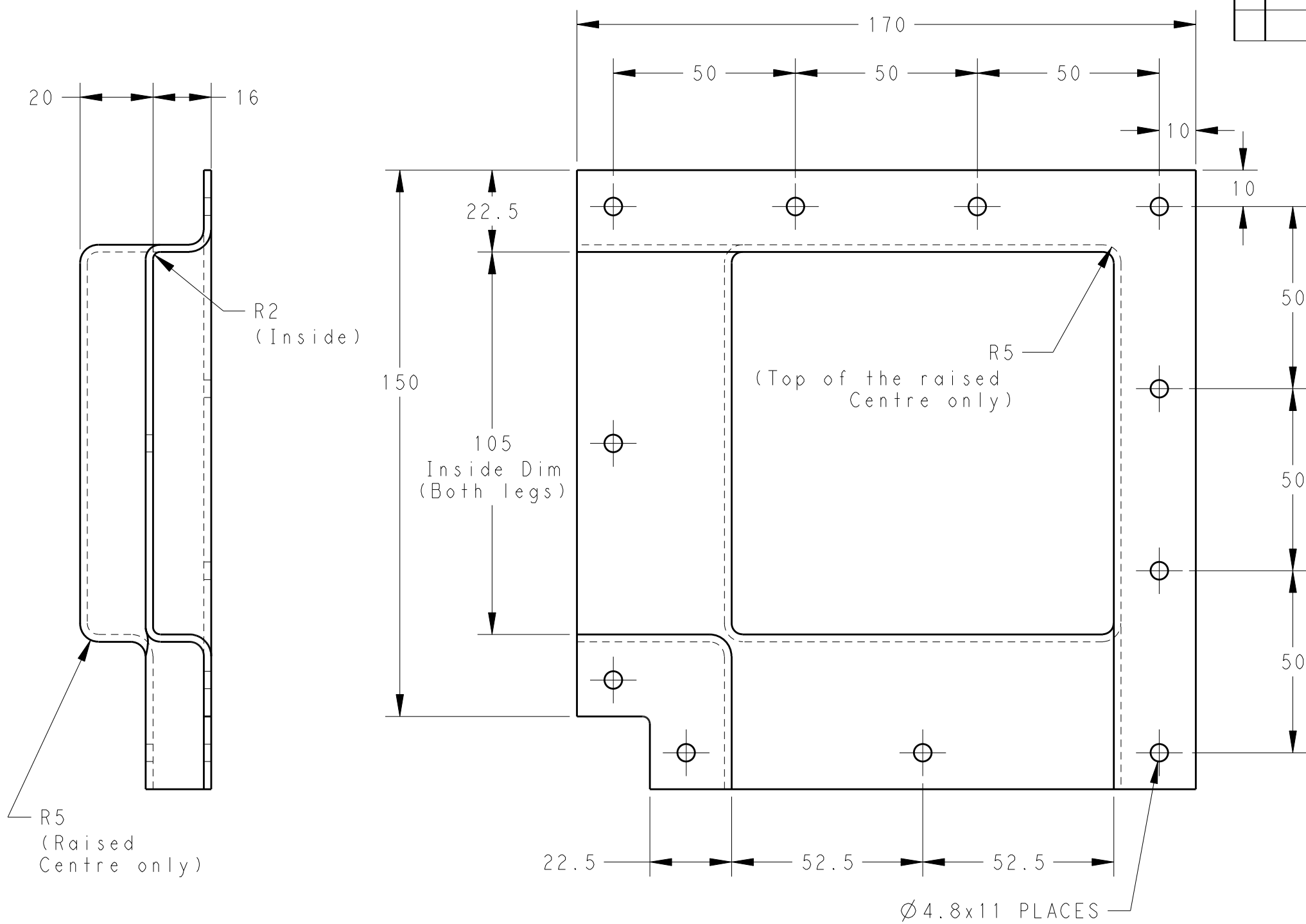
2

1


THIS DRAWING IS UNPUBLISHED. RELEASED FOR PUBLICATION 20
© COPYRIGHT 20 BY TYCO ELECTRONICS CORPORATION ALL RIGHTS RESERVED.

LOC	DIST
-	-

REVISIONS				
P	LTR	DESCRIPTION	DATE	APVD
	A	Hole Size Changes from 6mm to 4.8mm and Note No.3 Changes.	04SEP2012	V.P I.B



SCALE 1:2
(Assy. view for external reference only)

THIS DRAWING IS A CONTROLLED DOCUMENT.		DWN Vishnu 27JUN2012	 TE Connectivity	
DIMENSIONS: mm		CHK I.Bond 27JUN2012		
TOLERANCES UNLESS OTHERWISE SPECIFIED:		APVD I.Bond 27JUN2012	NAME BMOD-HV-100-L11-02(B12)	
0 PLC ± 1 PLC ±0.5 2 PLC ±0.13 3 PLC ±0.013 4 PLC ±0.0061 ANGLES ±		PRODUCT SPEC -	SIZE A3 CAGE CODE 00779 DRAWING NO C-7-1899738-7 RESTRICTED TO -	
MATERIAL -		APPLICATION SPEC -	WEIGHT -	
FINISH -		WEIGHT -	SCALE 1:1 SHEET 1 OF 2 REV A	
CUSTOMER DRAWING				

4

3

2

1

THIS DRAWING IS UNPUBLISHED.

RELEASED FOR PUBLICATION

20

© COPYRIGHT 20

BY TYCO ELECTRONICS CORPORATION

ALL RIGHTS RESERVED.

LOC

DIST

REVISIONS

P	LTR	DESCRIPTION	DATE	DWN	APVD
-	-	SEE SHEET 1	-	-	-

PLUG PIECE:

5° Taper

10

1xØ4.8 Hole

25

106±1

R3 Typ

20±1

NOTES:

1. Parts shall be kitted 24pcs per box, 12 pairs of covers
2. Parts shall be supplied in the open position
3. Parts shall be kitted with 11 x LVIC-RIV-TS555
PCN: 319851-000, or with Raysulate equivalent part,
per pair of covers.
4. 2 x Plugs to be kitted per pair of covers
5. Parts shall be kitted with Installation
Instruction: ESD-6065-6/12 per box.

SCALE 1:2

(Isometric view for external
referenc only)

THIS DRAWING IS A CONTROLLED DOCUMENT.

DIMENSIONS:

mm

TOLERANCES UNLESS
OTHERWISE SPECIFIED:

0 PLC	±
1 PLC	±0.5
2 PLC	±0.13
3 PLC	±0.013
4 PLC	±0.0004
ANGLES	±

MATERIAL

-

FINISH

-

DWN Vishnu 27JUN2012

CHK I. Bond 27JUN2012

APVD I. Bond 27JUN2012

PRODUCT SPEC

APPLICATION SPEC

WEIGHT

-

CUSTOMER DRAWING

TE Connectivity

NAME

BMOD-HV-100-L11-02(B12)

SIZE

A3

CAGE CODE

00779

DRAWING NO

C-7-1899738-7

RESTRICTED TO

-

SCALE 1:1

SHEET 2 OF 2

REV A

1470-19 (3/11)