

THIS DRAWING IS UNPUBLISHED.

RELEASED FOR PUBLICATION

20

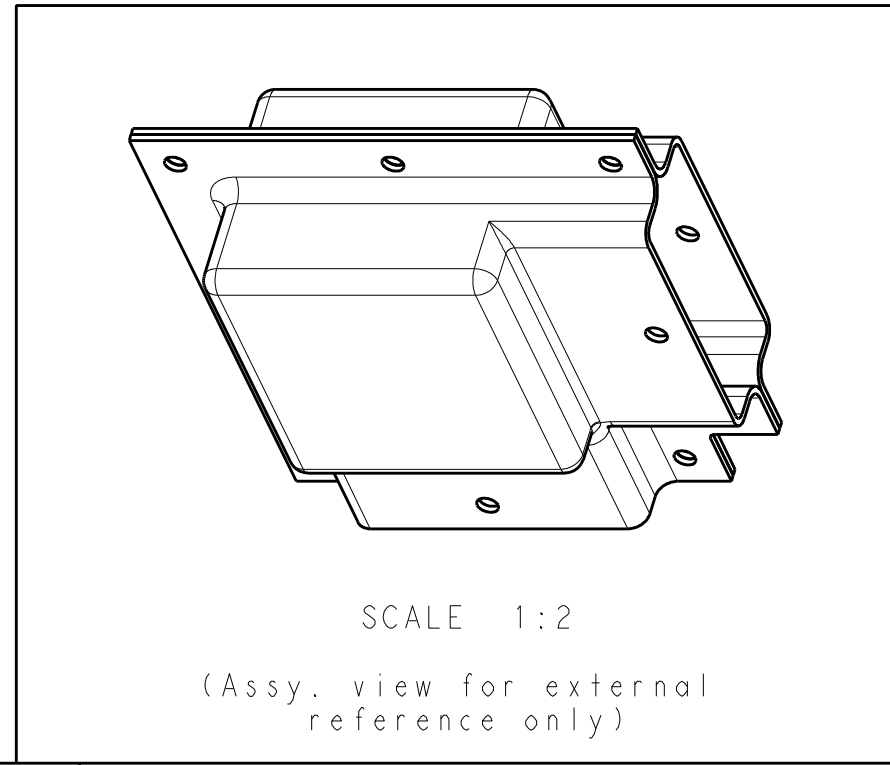
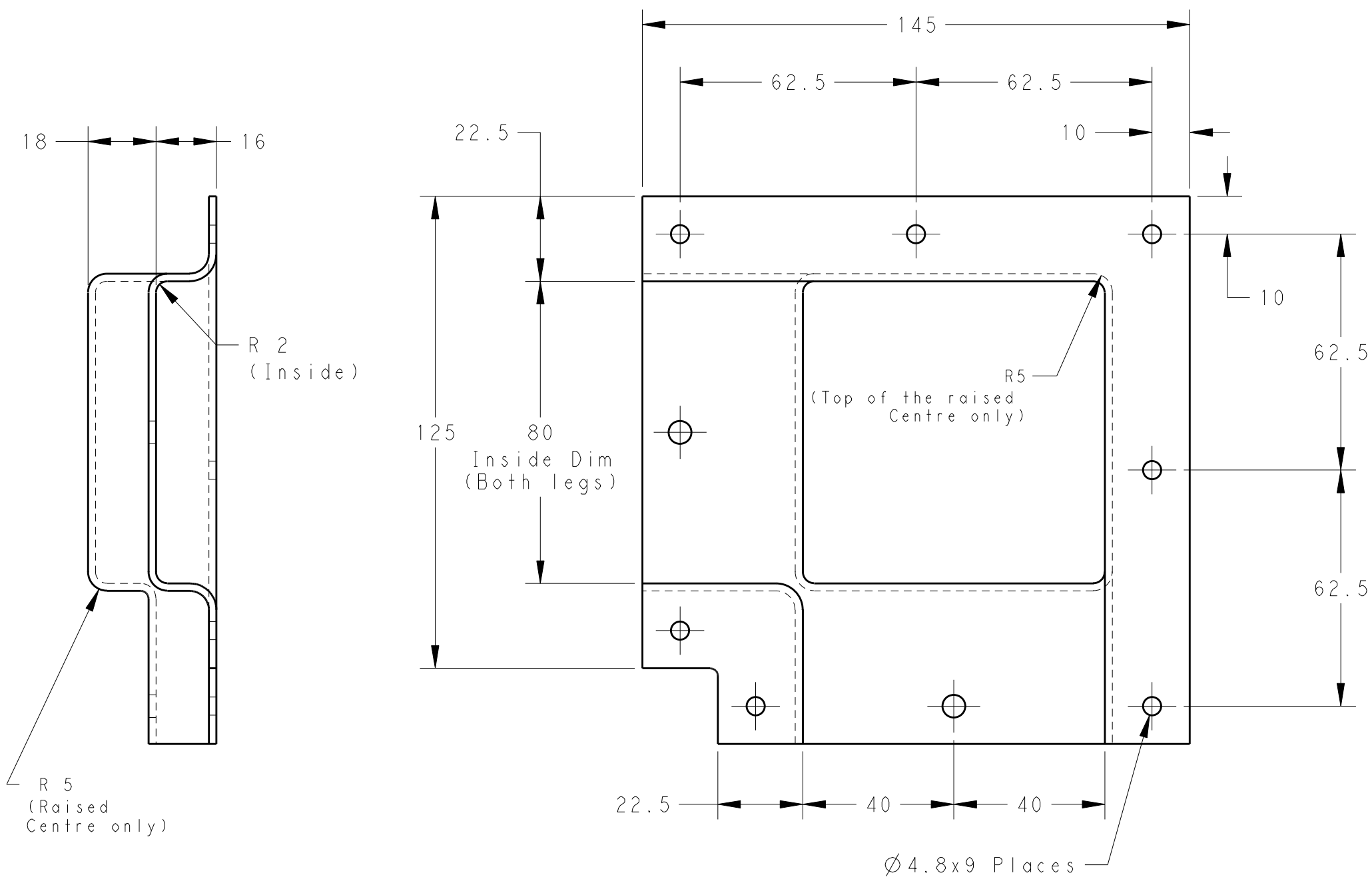
LOC -


DIST -

REVISIONS

© COPYRIGHT 20 BY TYCO ELECTRONICS CORPORATION ALL RIGHTS RESERVED.

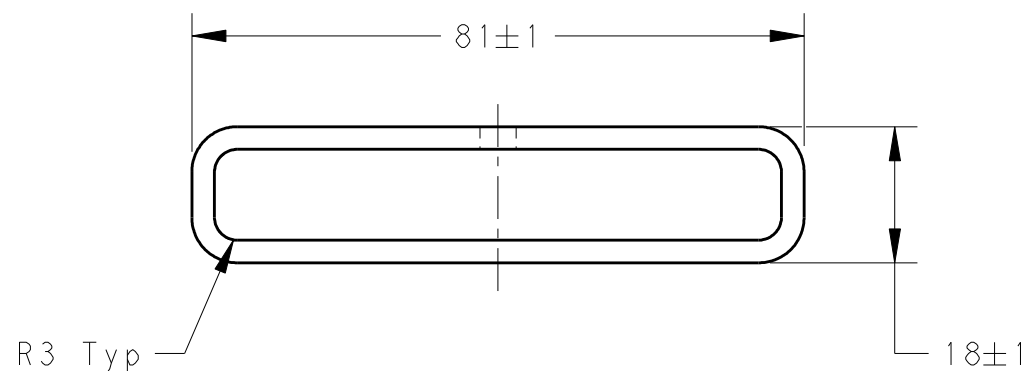
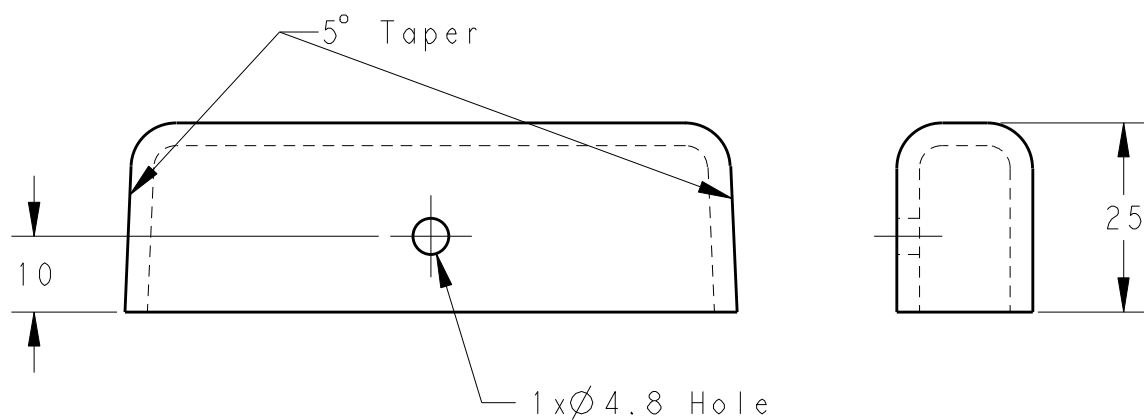
P	LTR	DESCRIPTION	DATE	DWN	APVD
	A	Hole Size Changes from 6mm to 4.8mm and Note No.3 Changes.	04SEP2012	V.P	I.B



THIS DRAWING IS A CONTROLLED DOCUMENT.		DWN Vishnu 27JUN2012	 TE Connectivity		
DIMENSIONS: mm		CHK I.Bond 27JUN2012			
TOLERANCES UNLESS OTHERWISE SPECIFIED:		APVD I.Bond 27JUN2012	NAME BMOD-HV-075-L11-02(B12)		
<del>           0 PLC ±            1 PLC ±0.5            2 PLC ±0.13            3 PLC ±0.013            4 PLC ±0.0001            ANGLES ±         </del>		PRODUCT SPEC -	RESTRICTED TO -		
MATERIAL -		APPLICATION SPEC -	SIZE A3	CAGE CODE 00779	DRAWING NO C-7-1899738-3
FINISH -		WEIGHT -	SCALE 1:1 SHEET 1 OF 2 REV A		
CUSTOMER DRAWING					

LOC	DIST	REVISIONS			
P	LTR	DESCRIPTION	DATE	DWN	APVD
-	-	SEE SHEET 1	-	-	-

# PLUG PIECE:



SCALE 1:2  
 (Isometric view for external reference only)

# NOTES:

1. Parts shall be kitted 24pcs per box, 12 pairs of covers
2. Parts shall be supplied in the open position
3. Parts shall be kitted with 9 x LVIC-RIV-TS555 PCN: 319851-000, or with Raysulate equivalent part, per pair of covers.
4. 2 x Plugs to be kitted per pair of covers
5. Parts shall be kitted with Installation Instruction: ESD-6065-6/12 per box.

THIS DRAWING IS A CONTROLLED DOCUMENT.

DIMENSIONS: mm	TOLERANCES UNLESS OTHERWISE SPECIFIED:
	0 PLC ± 1 PLC ±0.5 2 PLC ±0.13 3 PLC ±0.013 4 PLC ±0.0001 ANGLES ±
MATERIAL	FINISH

DWN	Vishnu	27JUN2012
CHK	I. Bond	27JUN2012
APVD	I. Bond	27JUN2012
PRODUCT SPEC	-	
APPLICATION SPEC	-	
WEIGHT	-	

TE Connectivity		NAME	
		BMOD-HV-075-L11-02(B12)	
SIZE	CAGE CODE	DRAWING NO	RESTRICTED TO
A3	00779	C-7-1899738-3	-