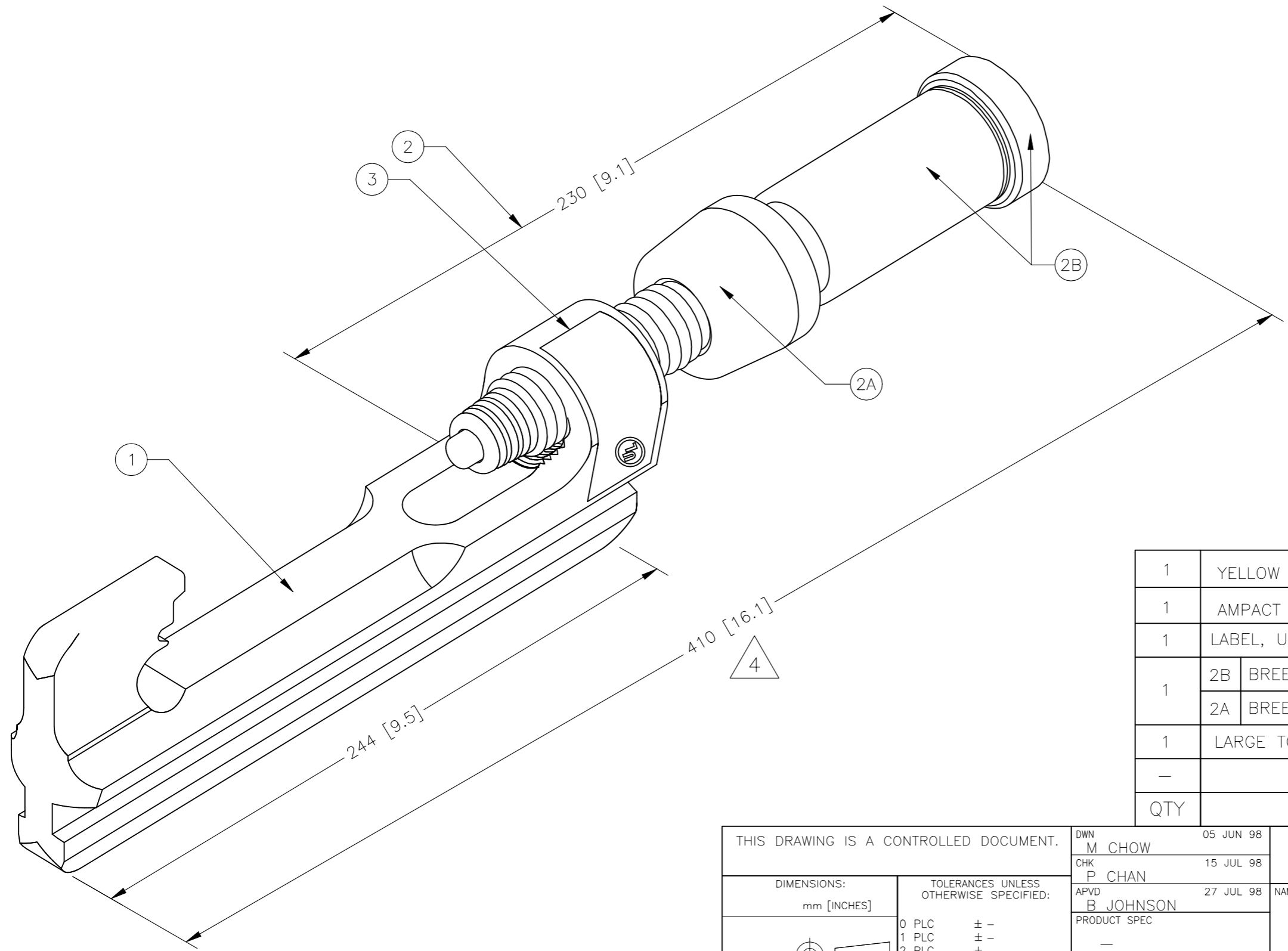


© - TE Connectivity. All Rights Reserved.

REVISIONS

P	LTR	DESCRIPTION	DATE	DWN	APVD
	U	ECN-23-230187	08SEP2023	JK	GP

1. FOR INSTALLATION OF YELLOW AMPACT TAPS ONLY.
2. REFER TO CUSTOMER MANUAL 409-2106 FOR INSTRUCTIONS ON PROPER USE AND MAINTENANCE OF TOOLING.
3. DIMENSIONS ARE FOR REFERENCE ONLY.
4. MAXIMUM OPERATING LENGTH.
5. WEIGHT : 3.75 KG [8.25 LBS].



1	YELLOW TAKE OFF CLIP		5
1	AMPACT CLEANING TOOL		4
1	LABEL, UL		3
1	2B	BREECH CAP ASSEMBLY	UNIVERSAL POWER UNIT 2
	2A	BREECH ASSEMBLY	
1	LARGE TOOL HEAD		1
-	DESCRIPTION		ITEM
QTY	PARTS LIST		

THIS DRAWING IS A CONTROLLED DOCUMENT.		DWN M CHOW 05 JUN 98	STE TE Connectivity	
		CHK P CHAN 15 JUL 98		
DIMENSIONS: mm [INCHES]		APVD B JOHNSON 27 JUL 98	NAME UNIVERSAL POWER UNIT WITH LARGE TOOL HEAD, AMPACT	
TOLERANCES UNLESS OTHERWISE SPECIFIED:		PRODUCT SPEC -	APPLICATION SPEC -	
MATERIAL STEEL		FINISH -	WEIGHT 3.75 [8.25] (triangle 5)	SIZE A3
			CAGE CODE 00779	DRAWING NO C-69611
			RESTRICTED TO -	
			SCALE NTS	SHEET 1 OF 1
			REV U	