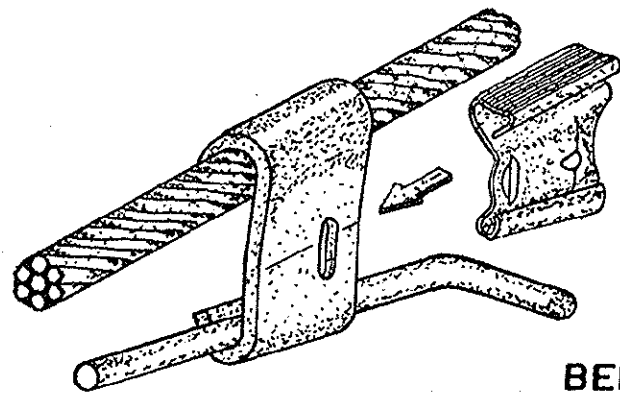
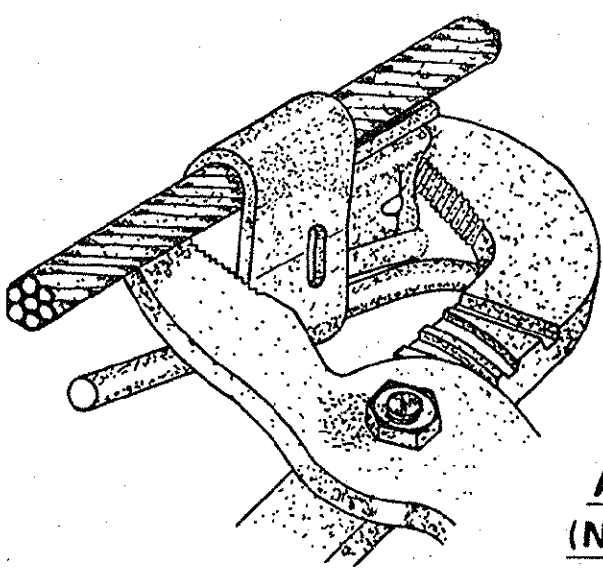


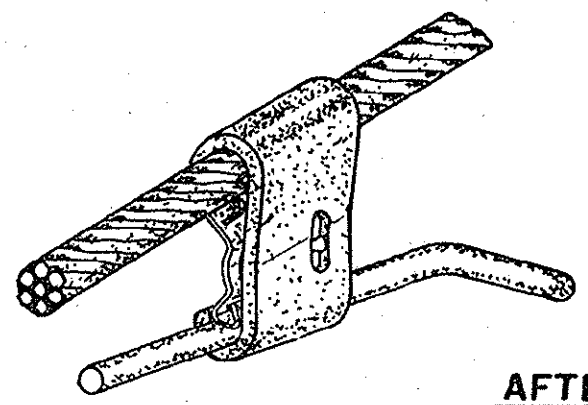
1 of 1
C 688 286



BEFORE APPLICATION

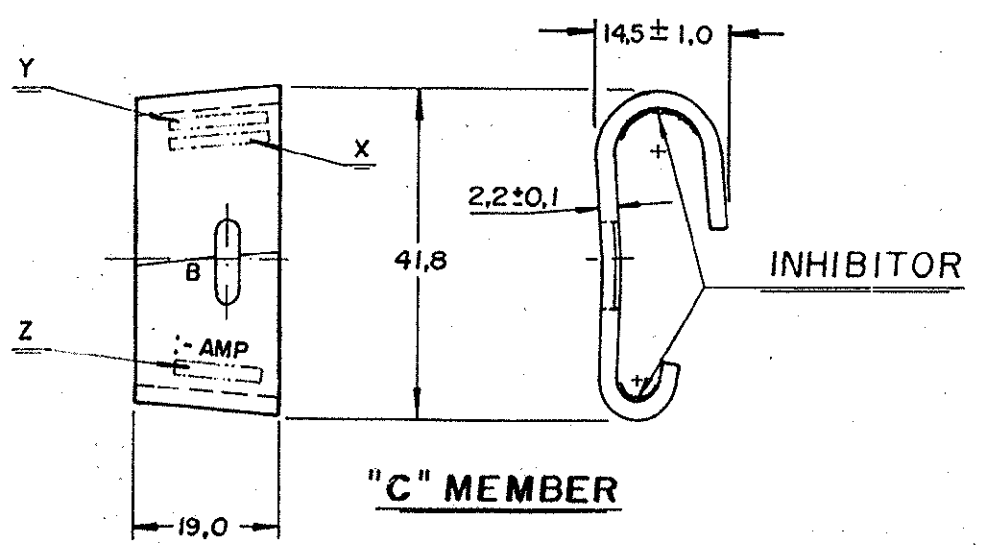


APPLICATION (NO SPECIAL TOOLS)

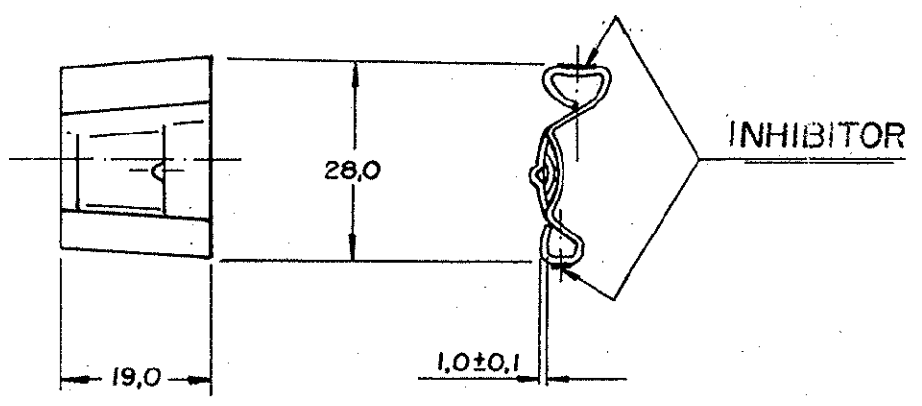


AFTER APPLICATION

DWG NO.		DO NOT SCALE		METRIC		3rd ANGLE PROJECTION	
		DIMENSIONS IN mm.					
REQ. PER ASSY	ITEM	DESCRIPTION	MATERIAL	FINISH			



"C" MEMBER



WEDGE

- ① - SUPPLIED IN INDIVIDUAL PLASTIC PACKAGING
- ② - SPECIFIC PLASTIC PACKAGING FOR EXTERNAL CUSTOMER

10,95--13,11	6,20--9,36	1,74--5,10	TIN PLATED	BRASS	①	4-6-10	35-50	688286-2
SUM	TOP GROOVE	BOTTOM GROOVE	FINISH	MATERIAL	PACKAGING	10mm ² STR-SOL-COM	50mm ² STR-COM	688286-1
WIRE DIAMETER LIMITS					"Z"	"Y"	PART NUMBER "X"	
CUSTOMER DWG for REFERENCE ONLY						THIS DRAWING IS UNPUBLISHED. RELEASED FOR PUBLICATION.		
						© COPYRIGHT 19 BY AMP DO BRASIL LTDA S.P. ALL INTERNATIONAL RIGHTS RESERVED AMP PRODUCTS MAY BE COVERED BY U.S. AND FOREIGN PATENTS AND/OR PATENTS PENDING.		
TOLERANCES UNLESS OTHERWISE STATED DEC. ± 0,5 ANGLES ± 1°						INS. DIA. RANGE	WIRE RANGE	SCALE
						AMP AMP do BRASIL LTDA. São Paulo, Brasil		
DR. ELOPES Edre 08 JUN 95						DESCRIPTION UNIVERSAL DISTRIBUTION CONNECTOR, ASSY TYPE "B"		
S REVISED BY EC.CB.0133/02 - G.O. 16 JAN 07						CHK. JAVIEIRA Jc 08 JUN 95		
R REVISED BY EC.LB-0588/95 - WALTER 14 DEC 95						DE.		
P REDRAWN WITH CHANGE BY EC.LB. 0231/95 Edre 08 JUN 95								
ISS	REVISION	RECORD	ECN	DR. CHK	DATE	APP. E.SFEIR Edre 12 JUN 95	DWG NO. A3	C 688 286
							SHEET 1 OF 1	