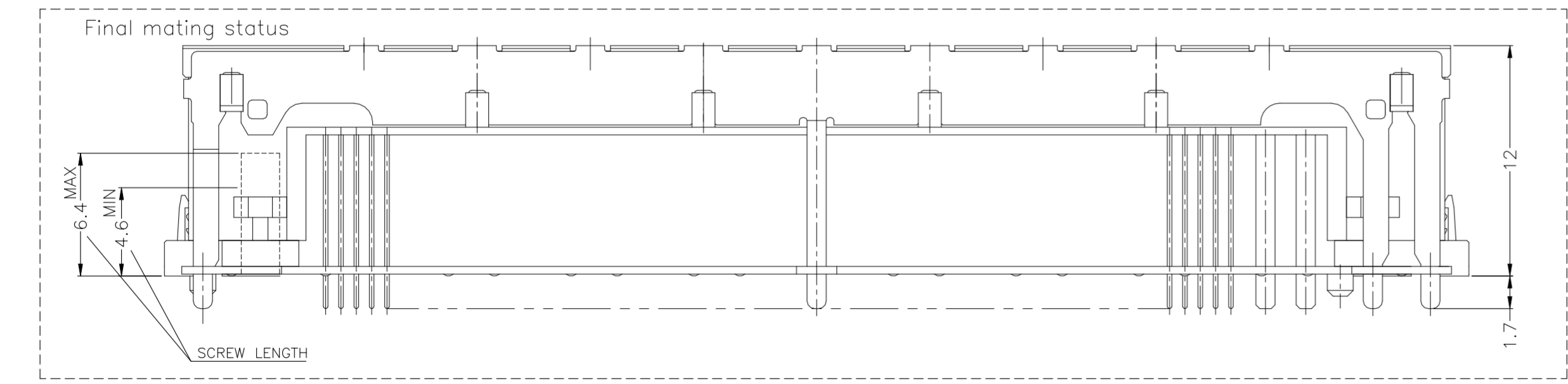
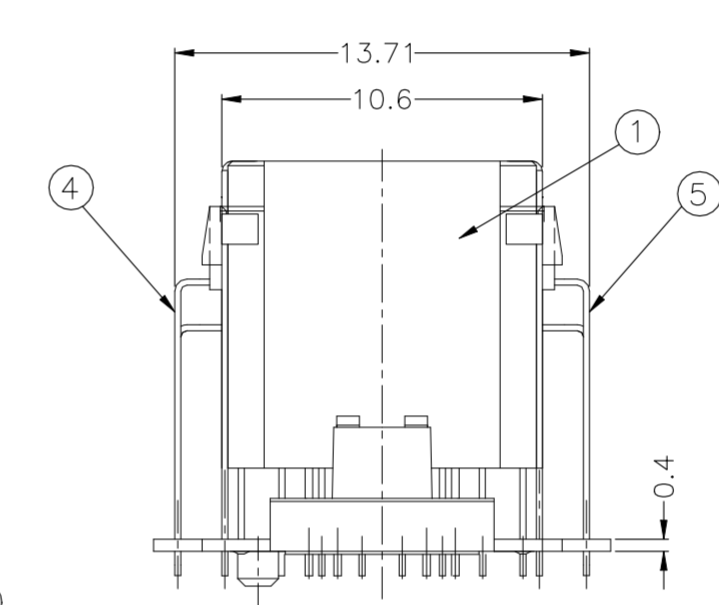
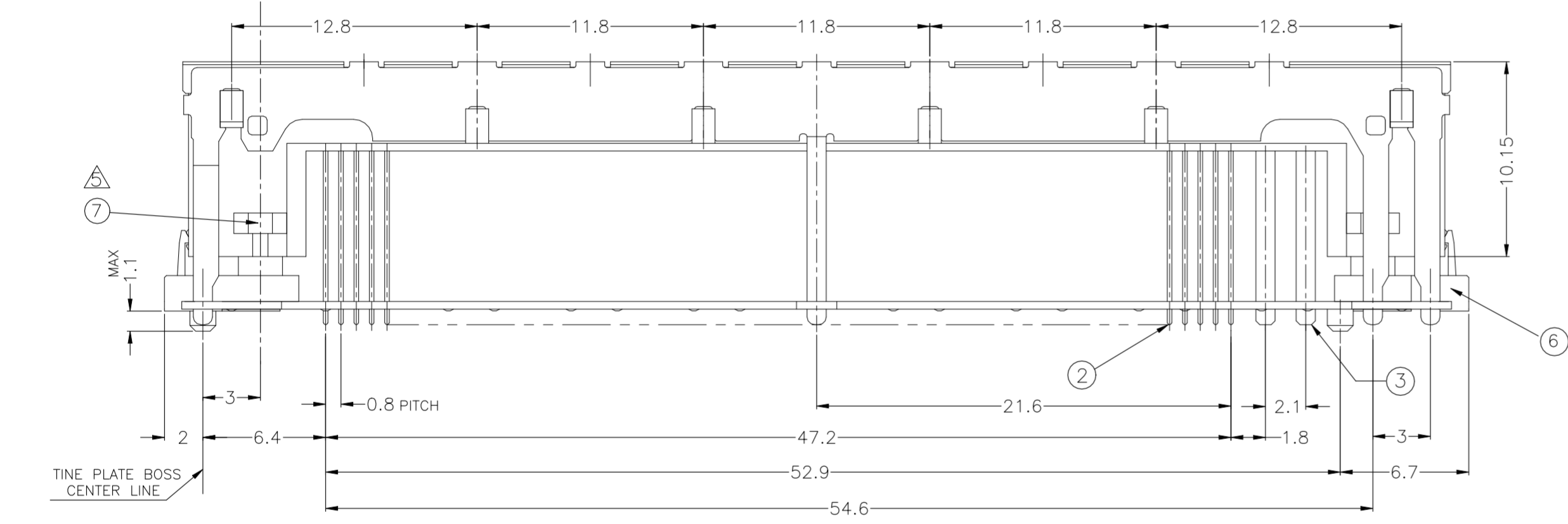
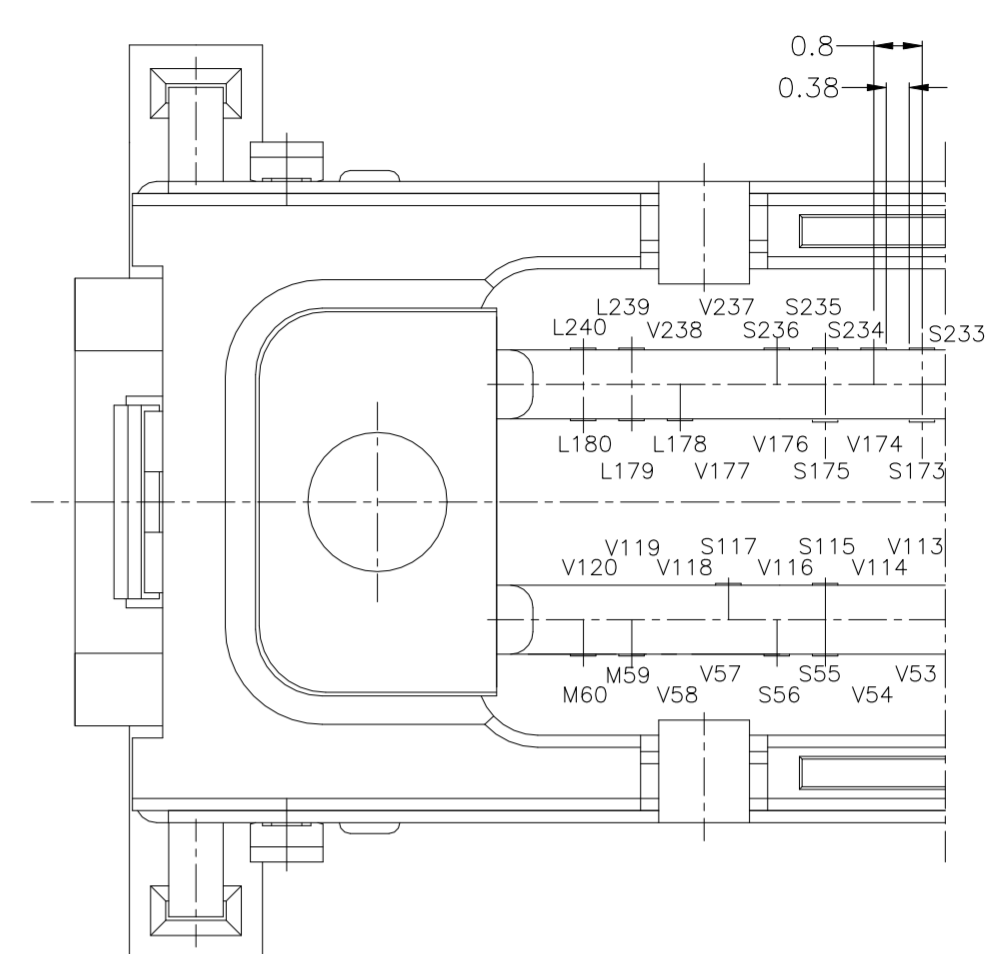
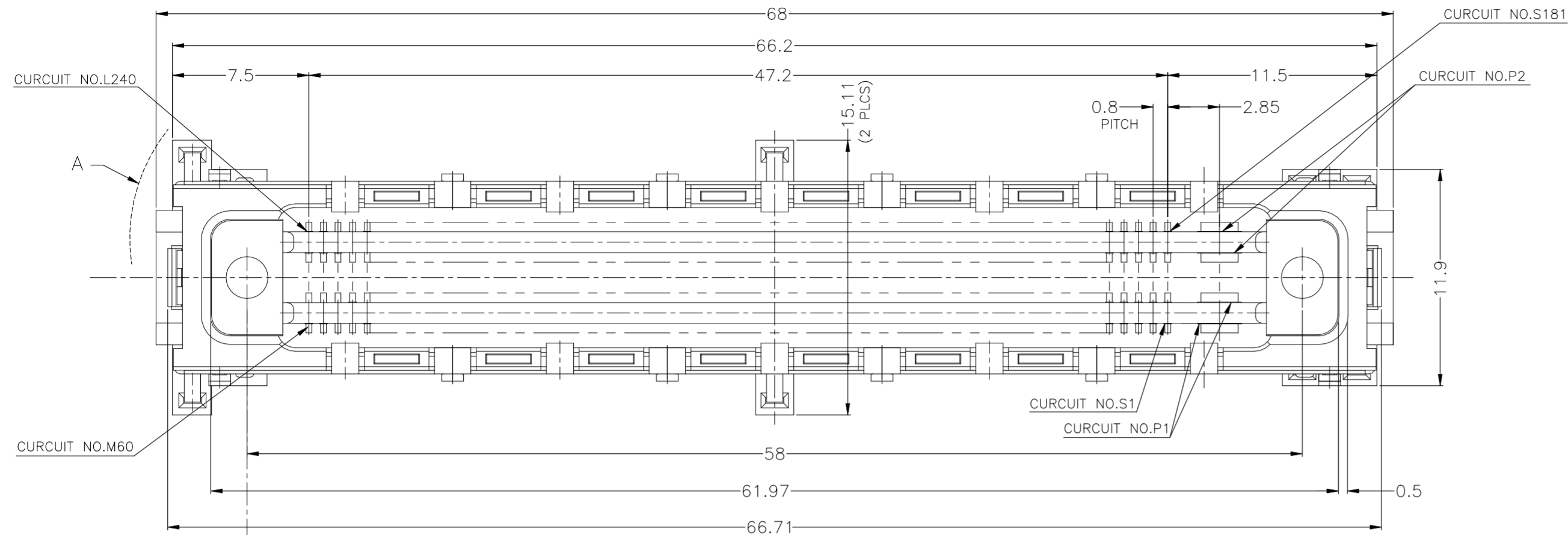


REVISIONS					
P	LTR	DESCRIPTION	DATE	DWN	APVD
E1		REVISED PER ECN-24-246486	12APR2024	AP	IT



6674036-1;AS SHOWN
SHEET 1 & 3

POLE NUMBER
SIGNAL 218P
MODEM 2P
LAN 5P
VOID 15P
POWER 2P

THIS DRAWING IS A CONTROLLED DOCUMENT.		DWN	14JUL04	A.KUBO	
DIMENSIONS: MM		CHK	14JUL04	S.KAJINUMA	
TOLERANCES UNLESS OTHERWISE SPECIFIED:		APVD	14JUL04	Y.YAMAMOTO	
1 PLC ± 0.2 2 PLC ± 0.25 3 PLC ± 0.3 4 PLC ± 0.3		PRODUCT SPEC	108-78190		
MATERIAL		APPLICATION SPEC	WEIGHT -		
FINISH		SCALE	4:1	SHEET	1 of 9
1 2		CUSTOMER DRAWING	CAGE CODE	00779	DRAWING NO
		SCALE	4:1	SHEET	1 of 9
		RESTRICTED TO	E1		

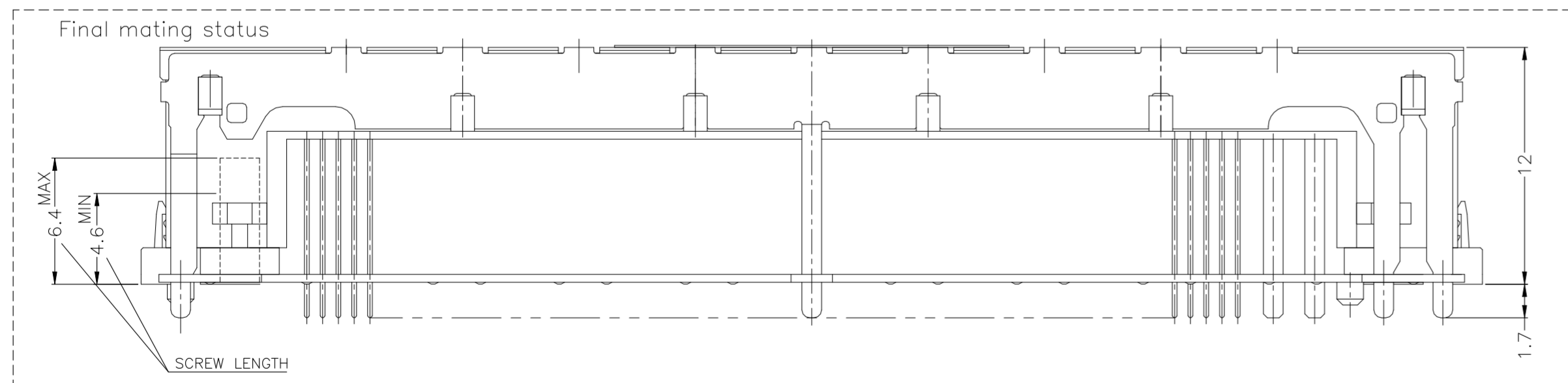
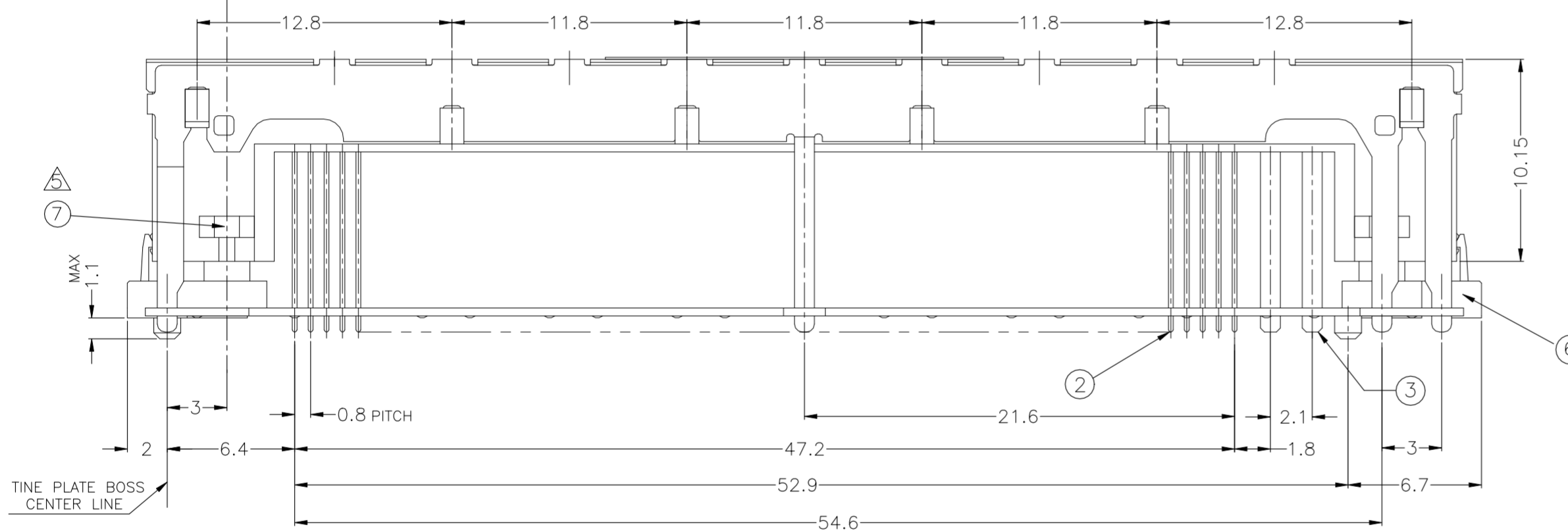
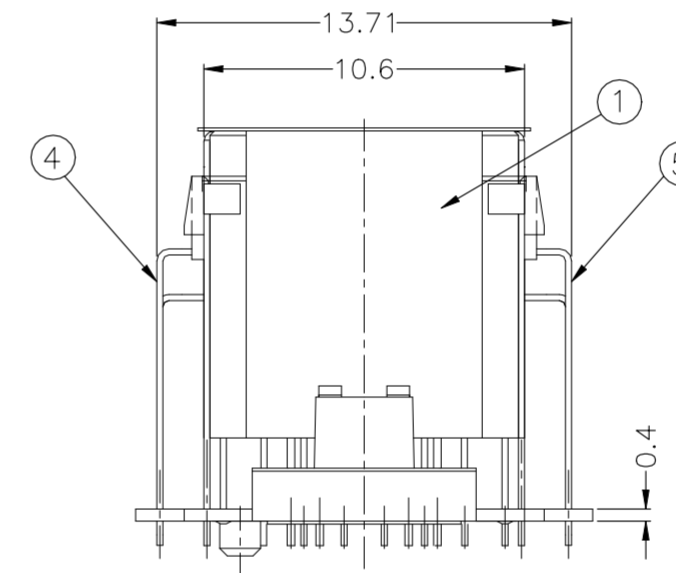
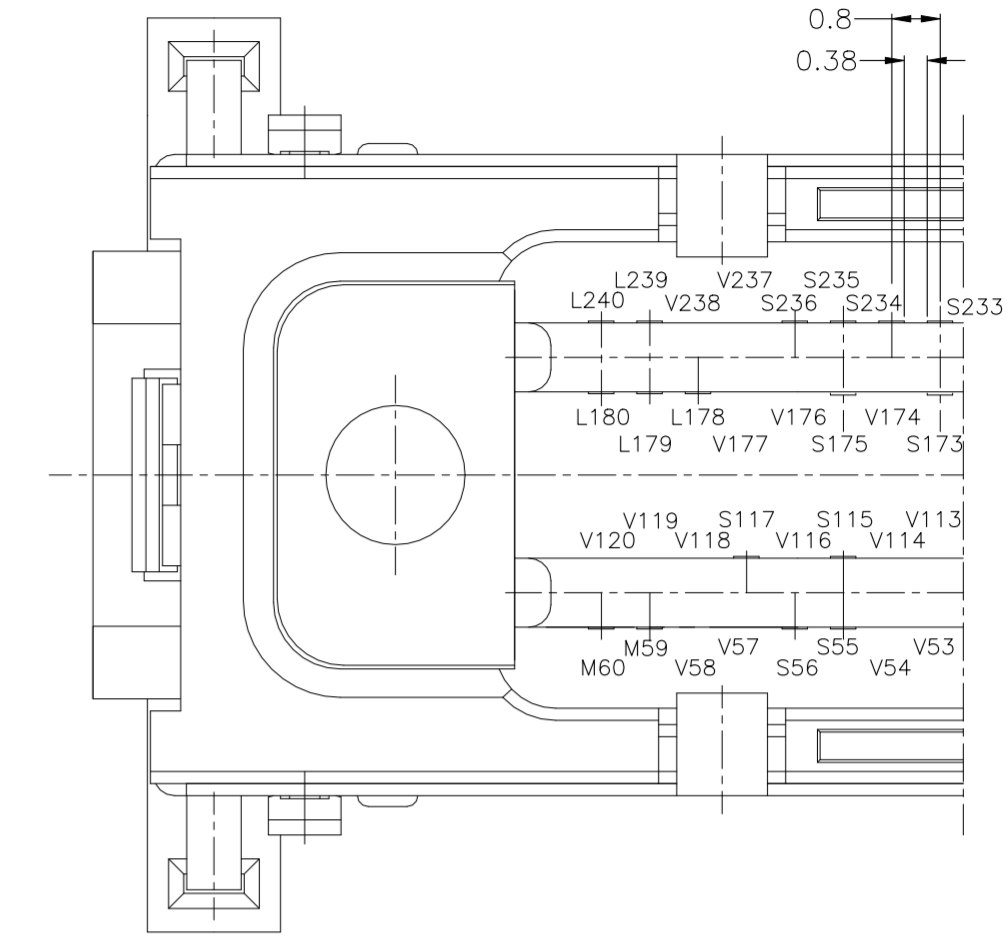
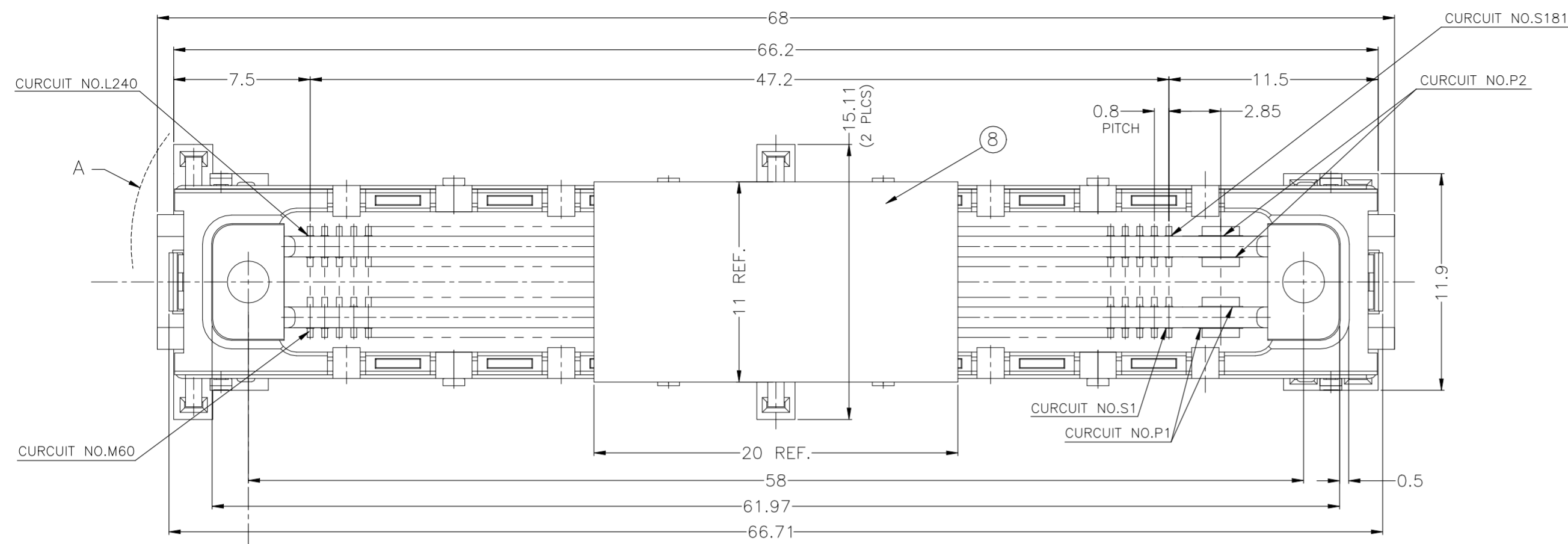
OBSOLETE		
QTY	DESCRIPTION	ITEM NO.
2	NUT	7
1	TINE PLATE, TYPE-1 (FOR H12)	6
1	G-PLATE RIGHT, TYPE-1 (FOR H12)	5
1	G-PLATE LEFT, TYPE-1 (FOR H12)	4
4	POWER CONTACT (FOR H12)	3
225	SIGNAL CONTACT	2
1	HSG B (FOR H12)	1
-1	NAME	ITEM NO.

TE TE Connectivity Ltd.

0.8 DOCKING CONNECTOR
PLUG (240P + POWER 2P)

SIZE	A2	CAGE CODE	00779	DRAWING NO	C-6674036	RESTRICTED TO	
SCALE	4:1	SHEET	1 of 9	REV	E1		

REVISIONS					
P	LTR	DESCRIPTION	DATE	DWN	APVD
-	-	SEE SHEET 1	-	-	-



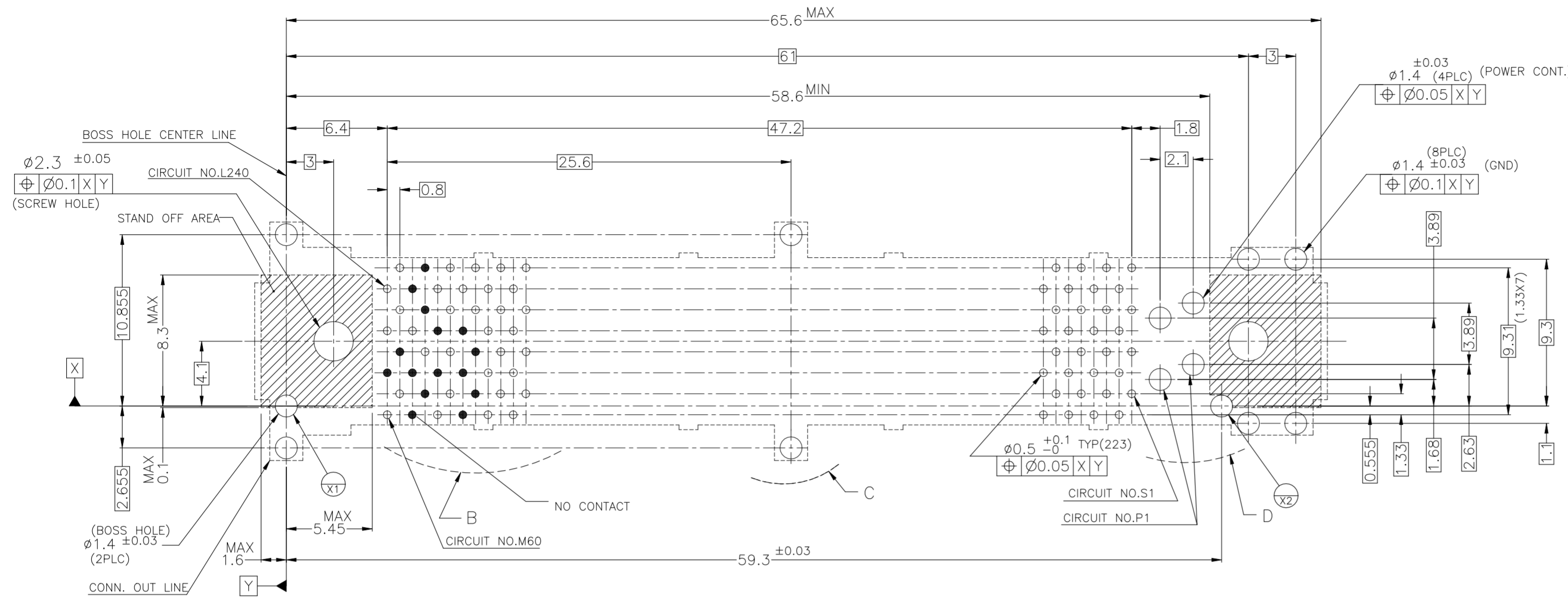
QTY	DESCRIPTION	ITEM NO.
1	POLYIMIDE TAPE	8
2	NUT	7
1	TINE PLATE, TYPE-1 (FOR H12)	6
1	G-PLATE RIGHT, TYPE-1 (FOR H12)	5
1	G-PLATE LEFT, TYPE-1 (FOR H12)	4
4	POWER CONTACT (FOR H12)	3
225	SIGNAL CONTACT	2
1	HSG B (FOR H12)	1
-4	NAME	ITEM NO.

6674036-4;AS SHOWN
SHEET 2 & 3

POLE NUMBER
SIGNAL 218P
MODEM 2P
LAN 5P
VOID 15P
POWER 2P

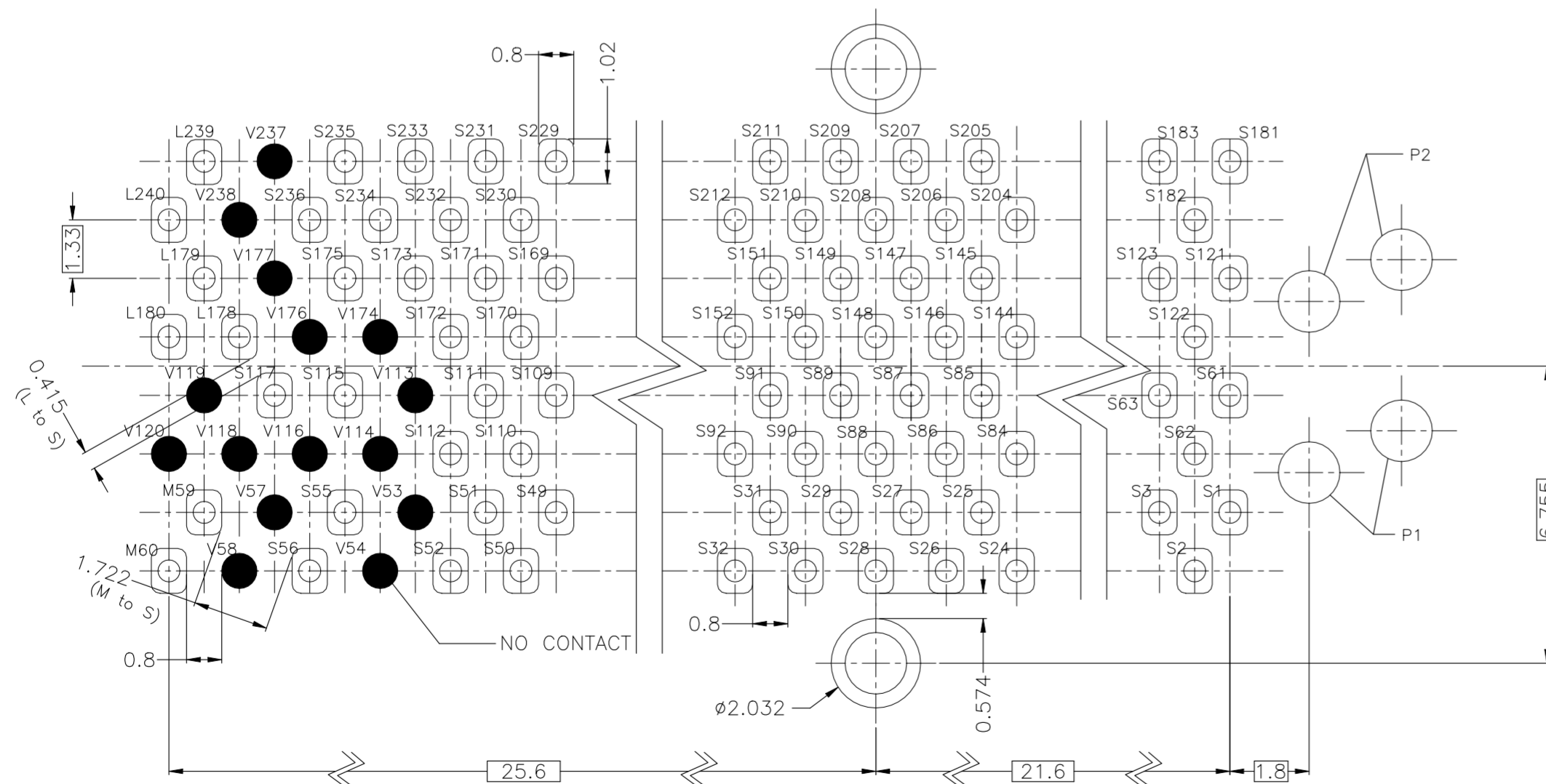
THIS DRAWING IS A CONTROLLED DOCUMENT.		DWN	TE Connectivity Ltd.	
DIMENSIONS: MM		CHK		
TOLERANCES UNLESS OTHERWISE SPECIFIED:		APVD	NAME	
1 PLC ± 0.25 2 PLC ± 0.25 3 PLC ± 0.25 4 PLC ± 0.25 ANGLES ± 3°		PRODUCT-SPEC	0.8 DOCKING CONNECTOR PLUG (240P + POWER 2P)	
MATERIAL		APPLICATION SPEC	SIZE	RESTRICTED TO
FINISH		WEIGHT	CAGE CODE	DRAWING NO
1		CUSTOMER DRAWING	A2	00779
2		SCALE	4:1	SHEET 2 of 9
		REV	E1	

REVISIONS					
P	LTR	DESCRIPTION	DATE	DWN	APVD
-	-	SEE SHEET 1	-	-	-



P.C. BOARD LAYOUT

APPLIED TO 1, -4.



DETAIL B (SCALE 8:1)

DETAIL C (SCALE 8:1)

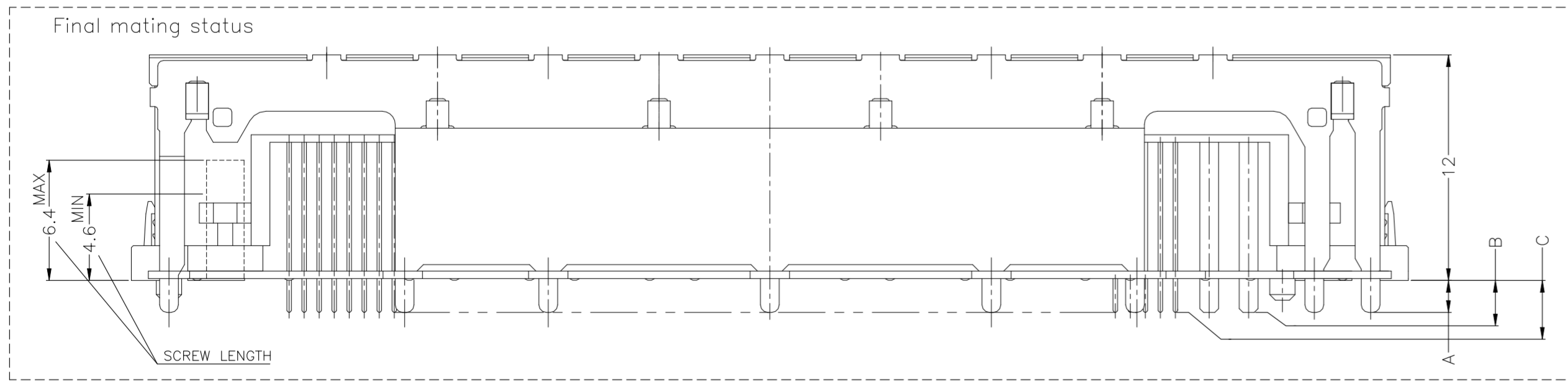
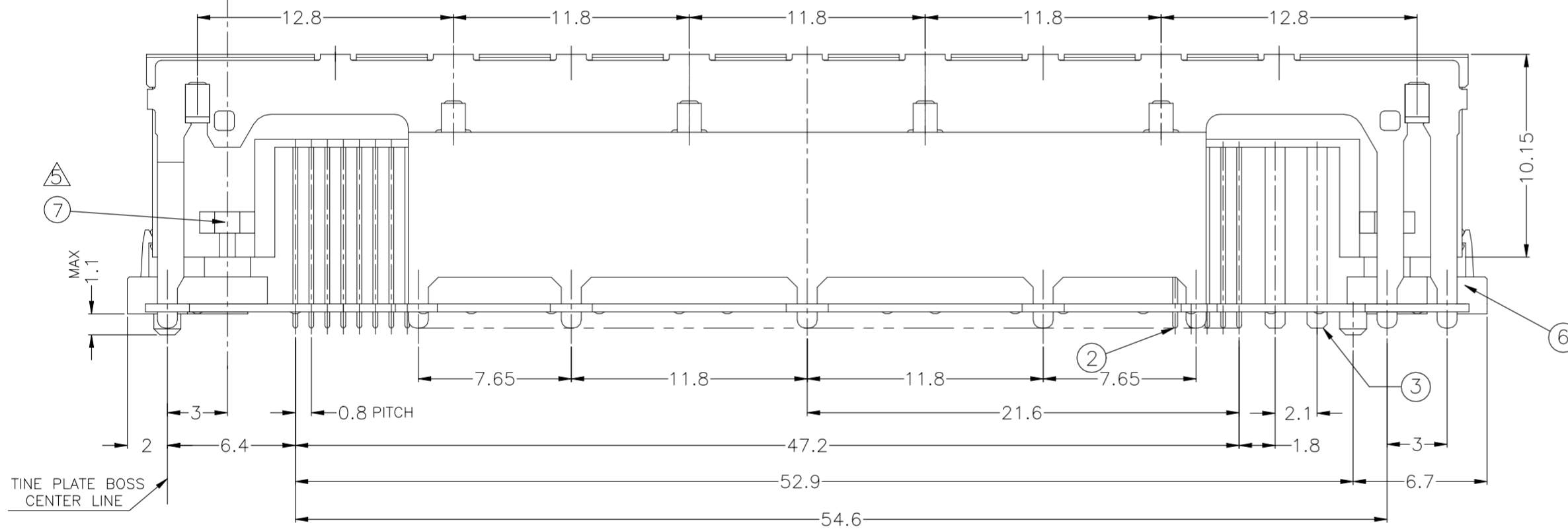
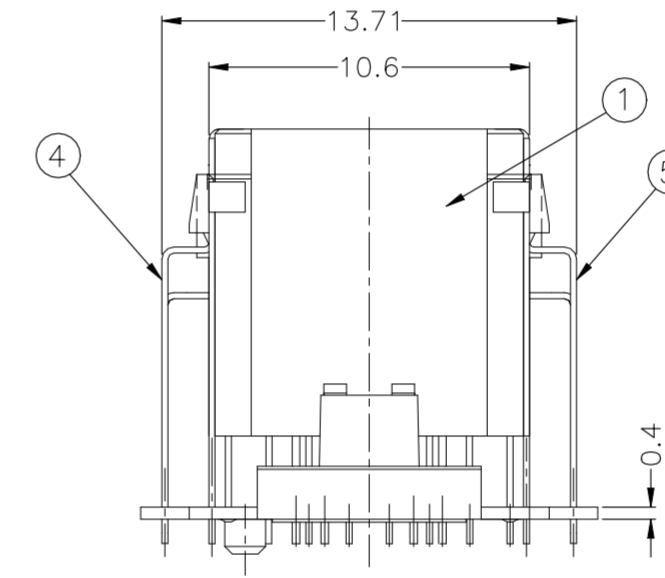
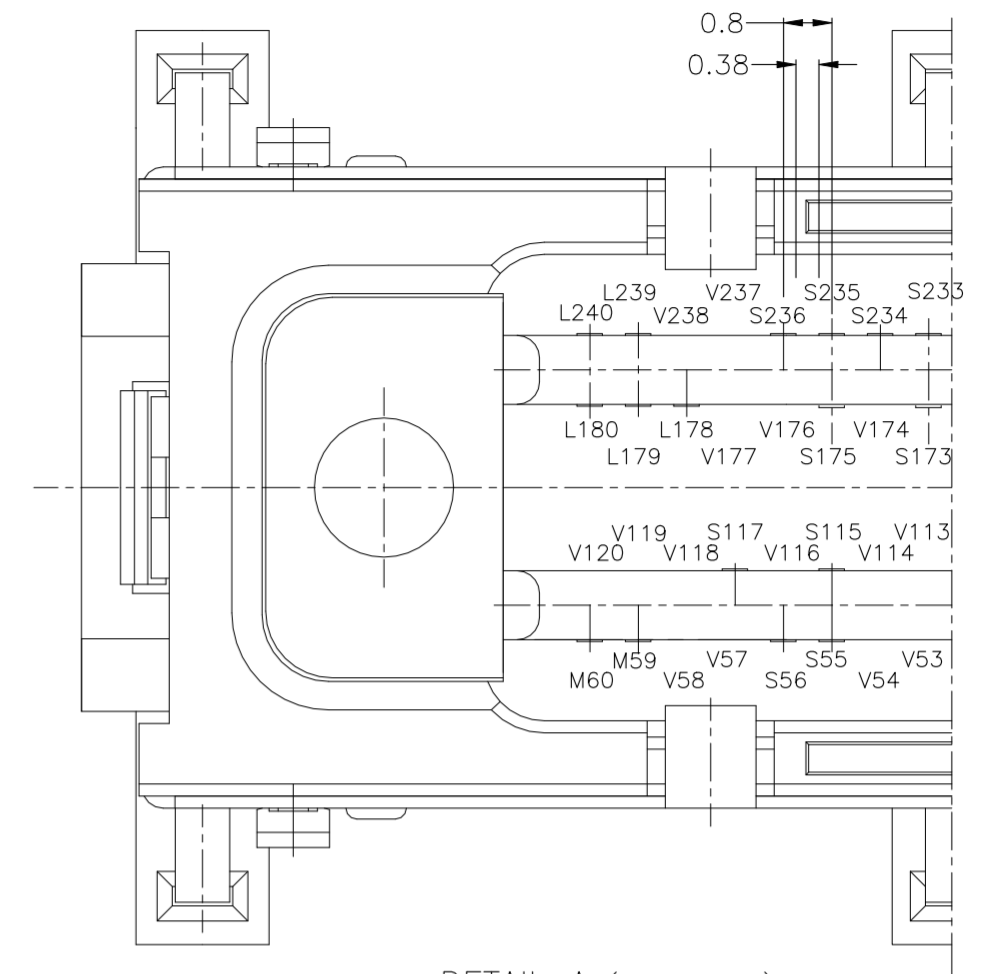
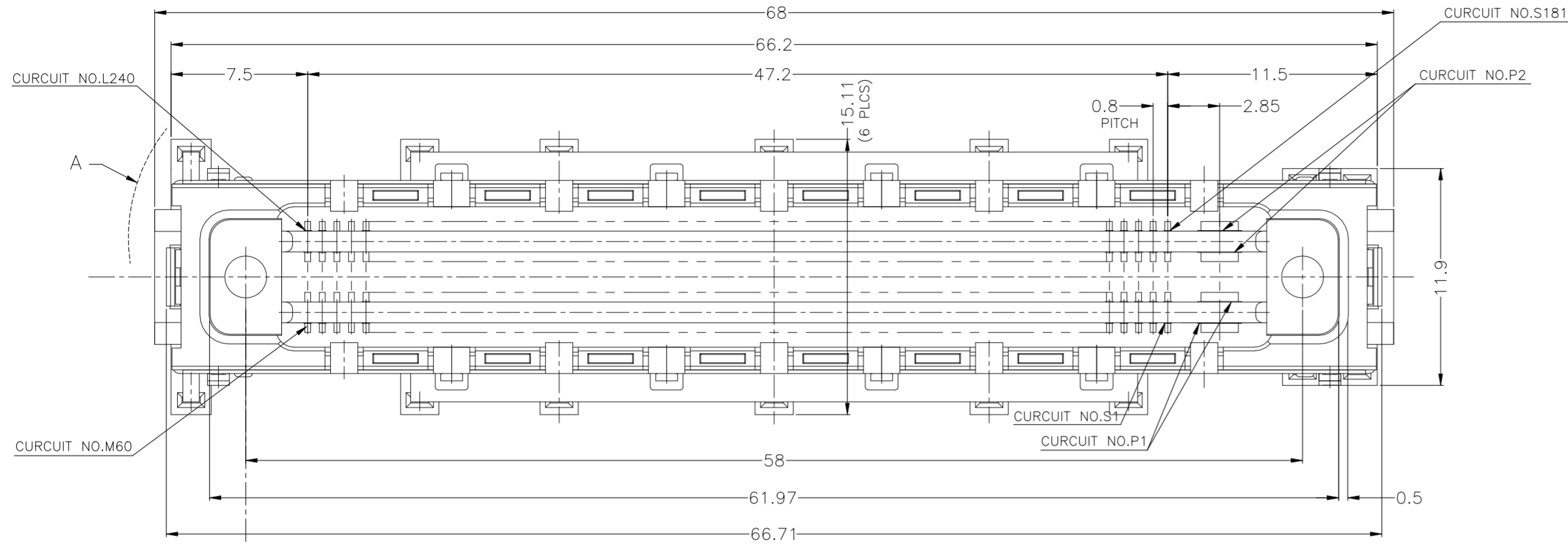
DETAIL D (SCALE 8:1)

NOTE

- 1 MATERIAL
 - HOUSING : THERMOPLASTIC, UL94V-0, BLACK
 - TINE PLATE : THERMOPLASTIC, UL94V-0, BLACK
 - SIGNAL CONTACT: COPPER ALLOY
 - POWER CONTACT : COPPER ALLOY
 - GROUND PLATE : COPPER ALLOY
 - NUT : STAINLESS STEEL
- 2 FINISH
 - SIGNAL CONTACT & POWER CONTACT
 - Au PI. ON CONTACT AREA
 - TIN PI. ON SOLDER AREA
 - NI UNDER PI. ALL OVER
 - GROUND PLATE
 - TIN PI. ALL OVER (REFLOW)
 - Cu UNDER PI. ALL OVER
- 3 APPLICABLE THICKNESS OF P.C.BOARD : 1.2±0.1mm
- 4 CONNECTOR TO BE MATED : 6674037-1, -2
- 5 RECOMMENDED TIGHTENING TORQUE : FROM 0.15N.m(1.5kgf.cm) TO 0.2N.m(2kgf.cm)

THIS DRAWING IS A CONTROLLED DOCUMENT.		DWN	TE Connectivity Ltd.	
DIMENSIONS: MM		CHK		
TOLERANCES UNLESS OTHERWISE SPECIFIED:		APVD	NAME	
0 PLC ±		PRODUCT SPEC	0.8 DOCKING CONNECTOR PLUG (240P + POWER 2P)	
1 PLC ±		APPLICATION SPEC	SIZE	CAGE CODE
2 PLC ±		WEIGHT	A2	00779
3 PLC ±		CUSTOMER DRAWING	DRAWING NO	RESTRICTED TO
4 PLC ±		SCALE	C=6674036	REV
ANGLES ±		4:1	3 of 9	E1

REVISIONS					
P	LTR	DESCRIPTION	DATE	DWN	APVD
-	-	SEE SHEET 1	-	-	-



QTY	DESCRIPTION	ITEM NO.
2	NUT	7
1	TINE PLATE, TYPE-2 (FOR H12)	6
1	G-PLATE RIGHT, TYPE-2 (FOR H12)	5
1	G-PLATE LEFT, TYPE-2 (FOR H12)	4
4	POWER CONTACT (FOR H12)	3
225	SIGNAL CONTACT	2
1	HSG B (FOR H12)	1
-2&-3	NAME	ITEM NO.

6674036-2 & -3 ; AS SHOWN
SHEET 4 & 6

POLE NUMBER
SIGNAL 218P
MODEM 2P
LAN 5P
VOID 15P
POWER 2P

QTY	DESCRIPTION	ITEM NO.	
1.9	1.7	1.7	6674036-3
1.7	1.7	1.7	6674036-2
C	B	A	P/N

GENERAL TOLERANCE
10 ≥ ±0.2
30 ≥ > 10: ±0.25
100 ≥ > 30: ±0.3
ANGLES : ±3°

THIS DRAWING IS A CONTROLLED DOCUMENT.

DIMENSIONS: MM

TOLERANCES UNLESS OTHERWISE SPECIFIED:

1 PLC	±	10 ≥ ±0.2
2 PLC	±	30 ≥ > 10: ±0.25
3 PLC	±	100 ≥ > 30: ±0.3
4 PLC	±	±
ANGLES	±	±3°

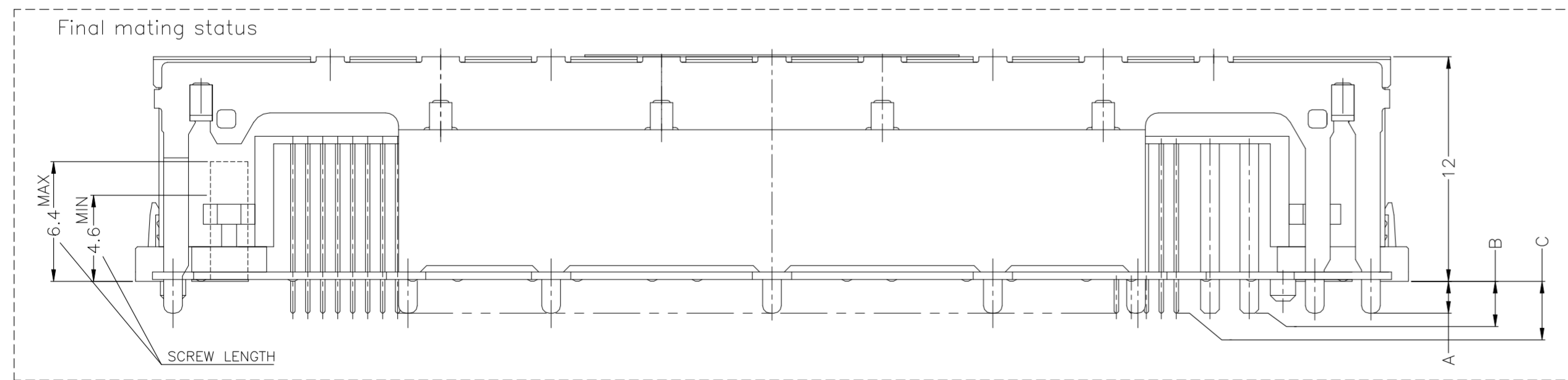
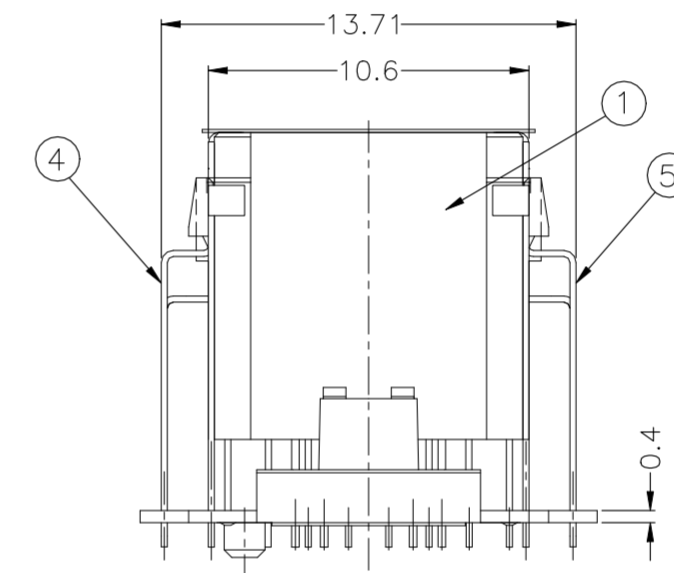
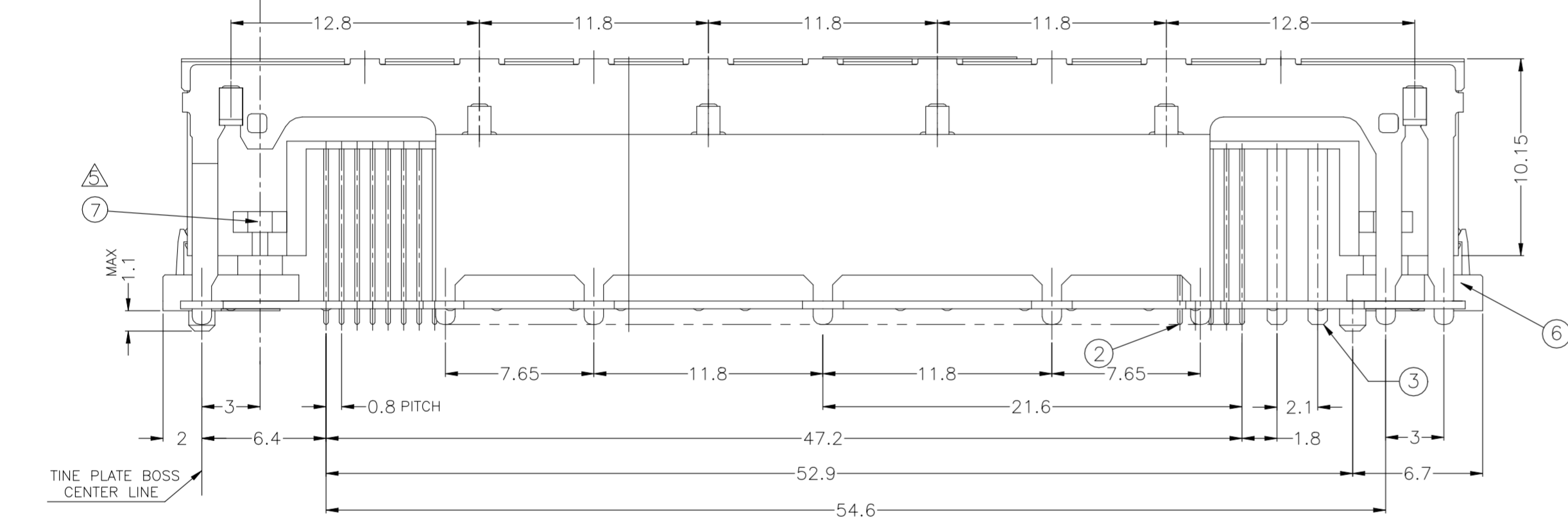
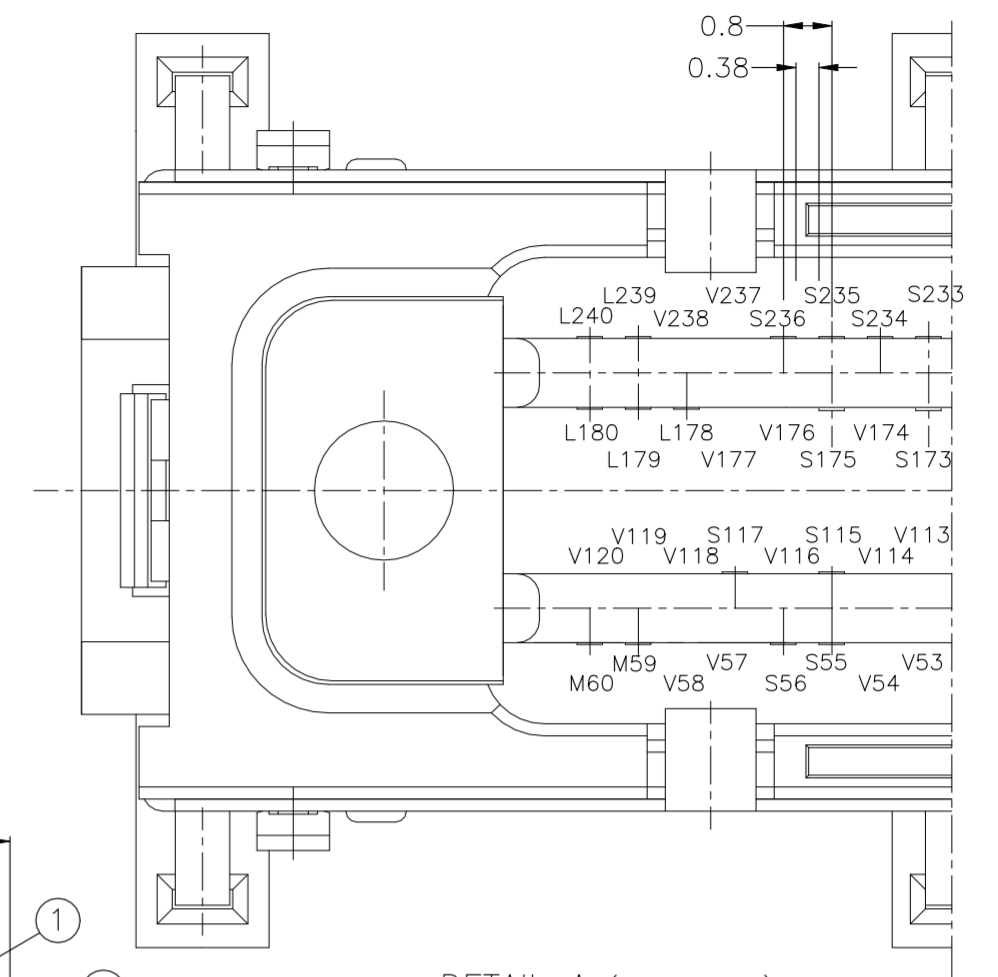
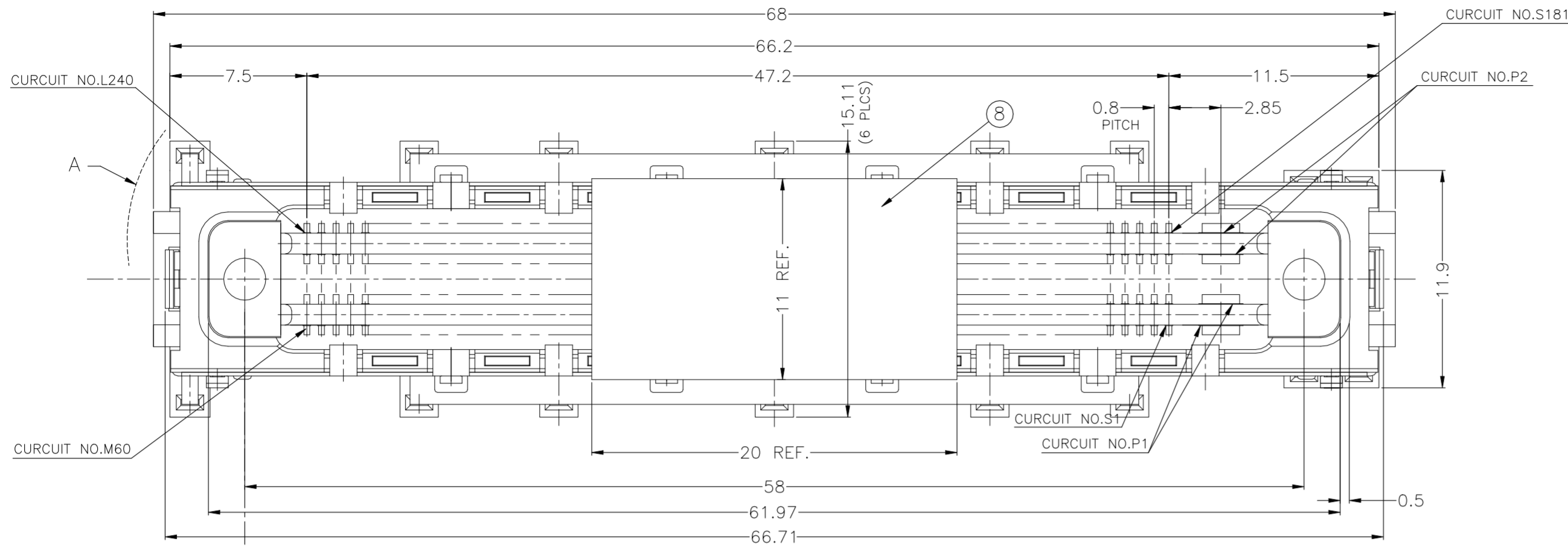
MATERIAL FINISH

TE Connectivity Ltd.

0.8 DOCKING CONNECTOR
PLUG (240P + POWER 2P)

SCALE 4:1 SHEET 4 of 9 REV E1

REVISIONS					
P	LTR	DESCRIPTION	DATE	DWN	APVD
-	-	SEE SHEET 1	-	-	-



QTY	DESCRIPTION	ITEM NO.
1	POLYIMIDE TAPE	8
2	NUT	7
1	TINE PLATE, TYPE-2 (FOR H12)	6
1	G-PLATE RIGHT, TYPE-2 (FOR H12)	5
1	G-PLATE LEFT, TYPE-2 (FOR H12)	4
4	POWER CONTACT (FOR H12)	3
225	SIGNAL CONTACT	2
1	HSG B (FOR H12)	1
-5	NAME	ITEM NO.

6674036-5 ; AS SHOWN
SHEET 5 & 6

POLE NUMBER
SIGNAL 218P
MODEM 2P
LAN 5P
VOID 15P
POWER 2P

1.9	1.7	1.7	6674036-5
C	B	A	P/N

GENERAL TOLERANCE
10 ≥ : ±0.2
30 ≥ > 10: ±0.25
100 ≥ > 30: ±0.3
ANGLES : ±3°

THIS DRAWING IS A CONTROLLED DOCUMENT.

DIMENSIONS: MM

TOLERANCES UNLESS OTHERWISE SPECIFIED:

1 PLC ± ±
2 PLC ± ±
3 PLC ± ±
4 PLC ± ±

ANGLES ± ±°

FINISH

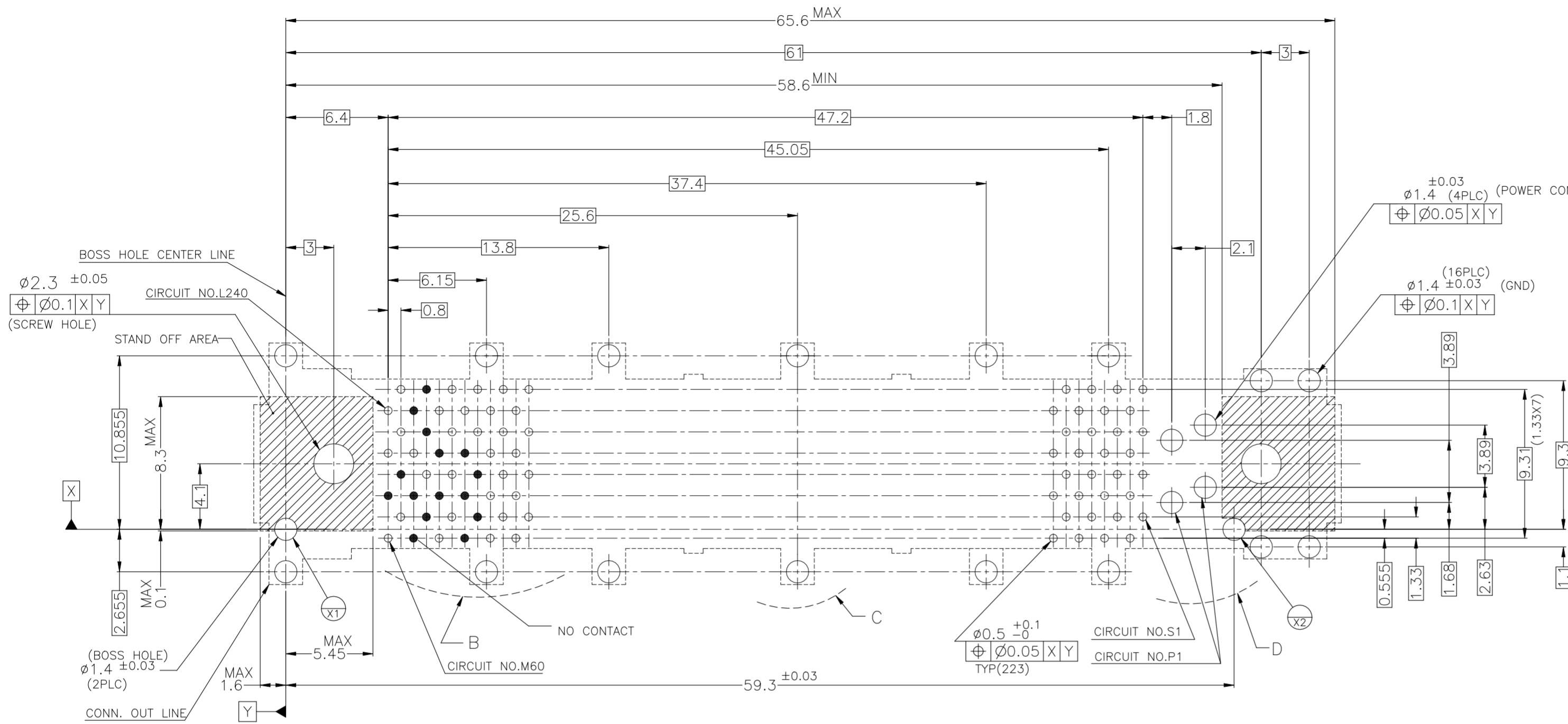
TE Connectivity Ltd.

0.8 DOCKING CONNECTOR
PLUG (240P + POWER 2P)

SIZE A2 CAGE CODE 00779 DRAWING NO. C=6674036

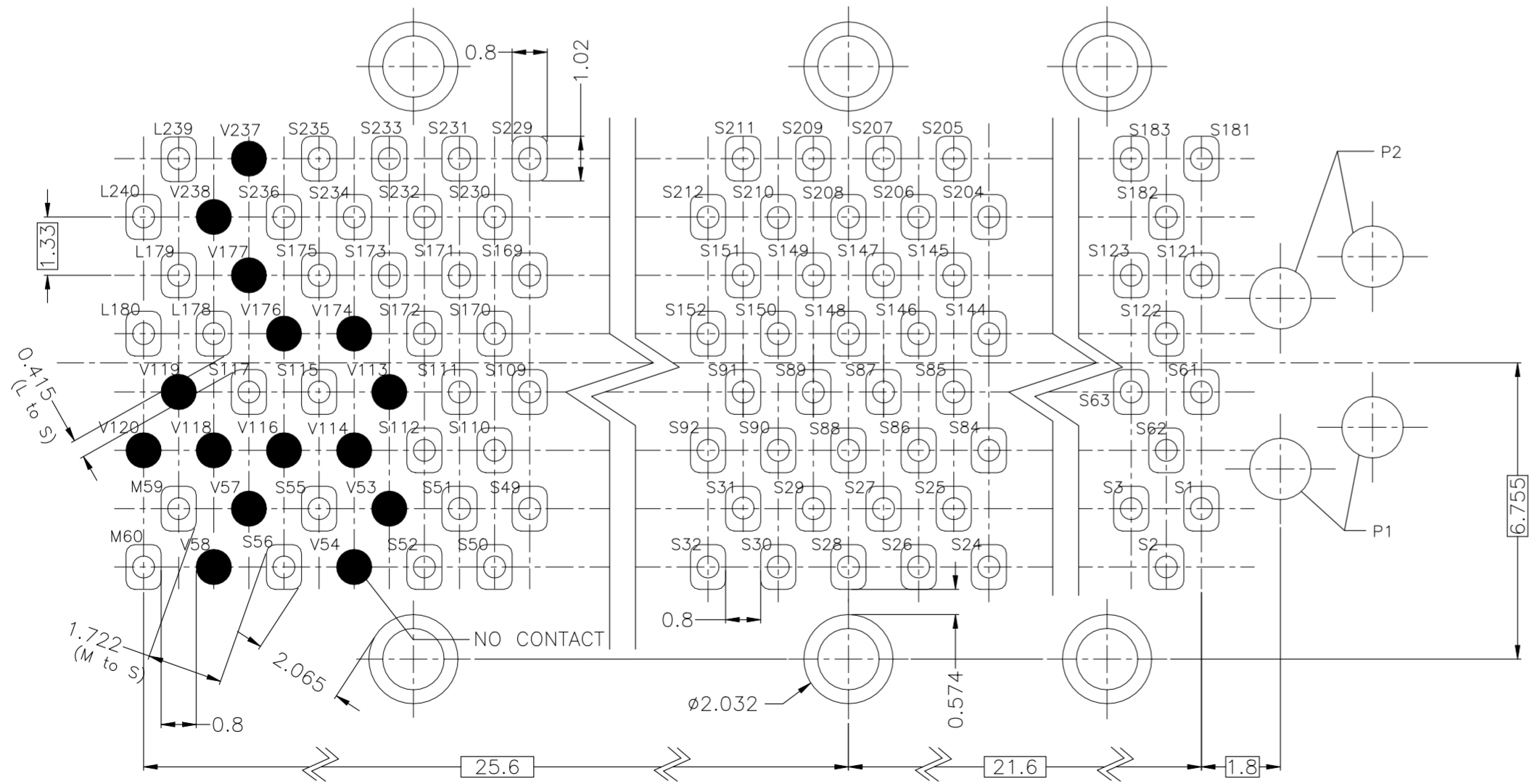
SCALE 4:1 SHEET 5 of 9 REV E1

REVISIONS					
P	LTR	DESCRIPTION	DATE	DWN	APVD
-	-	SEE SHEET 1	-	-	-



P.C.BOARD LAYOUT

APPLIED TO -2, -3, -5



DETAIL B (SCALE 8:1)

DETAIL C (SCALE 8:1)

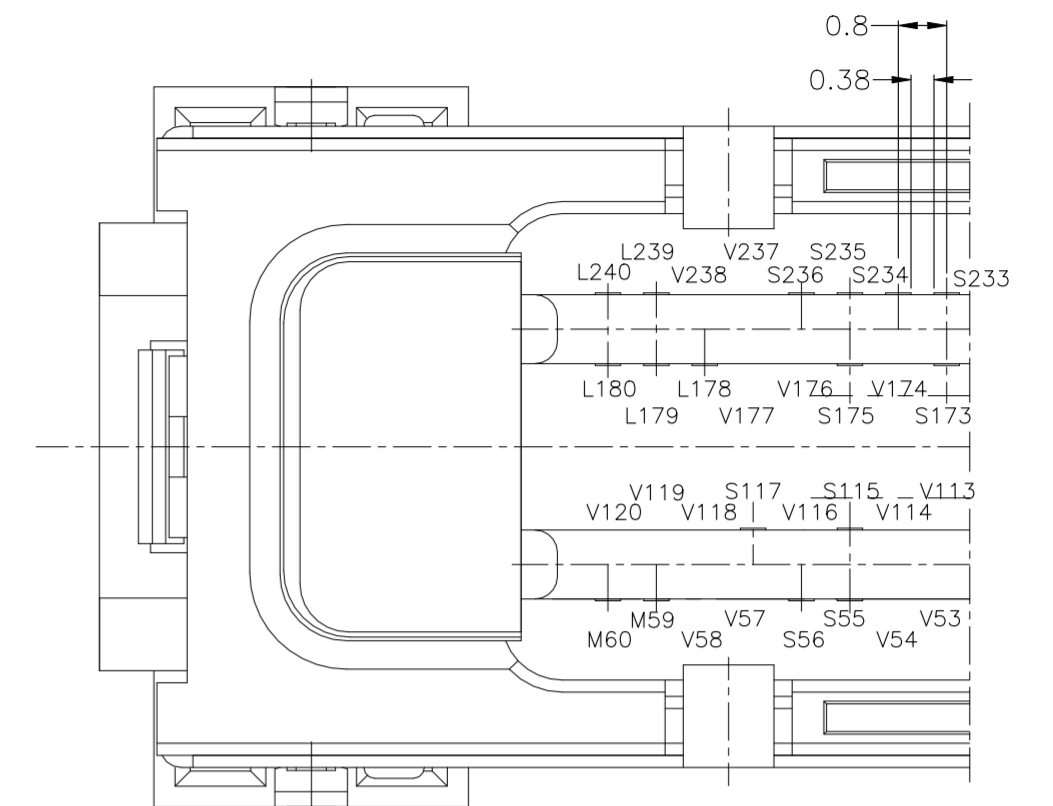
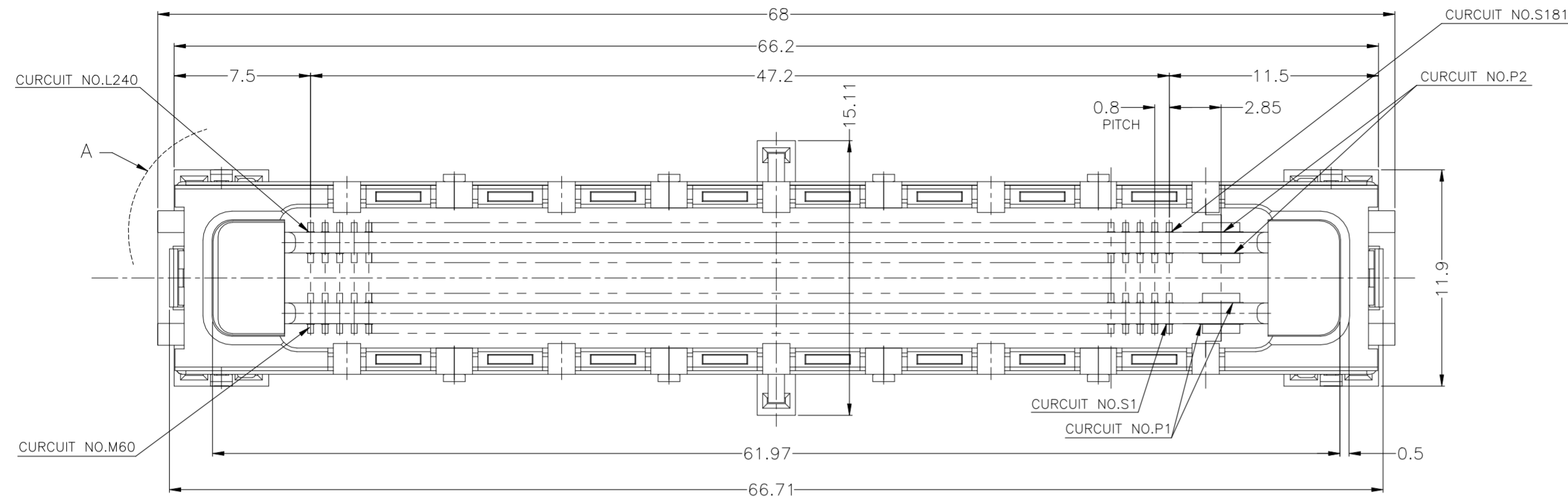
DETAIL D (SCALE 8:1)

NOTE

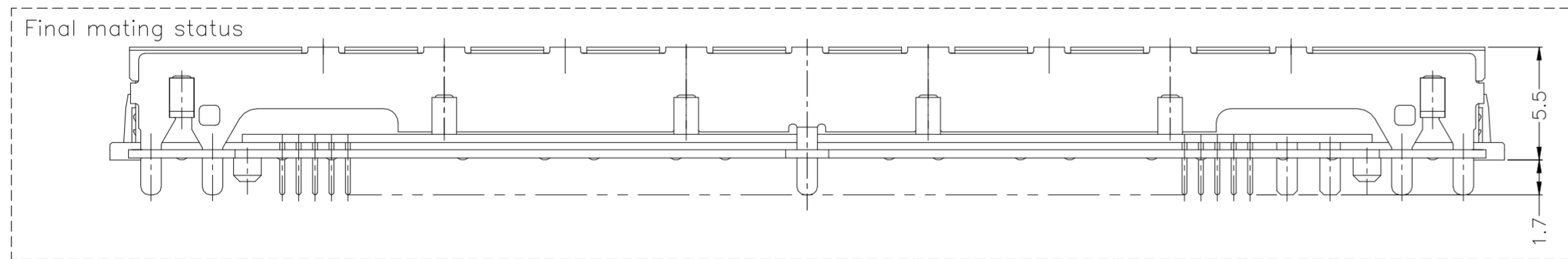
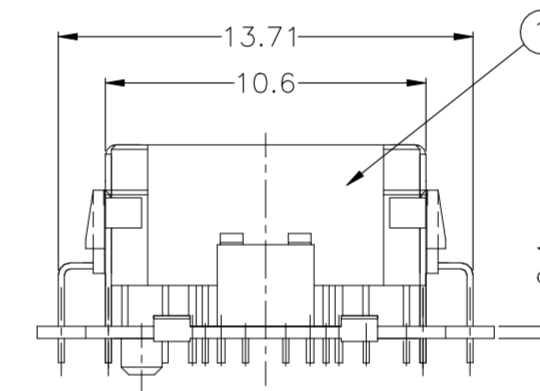
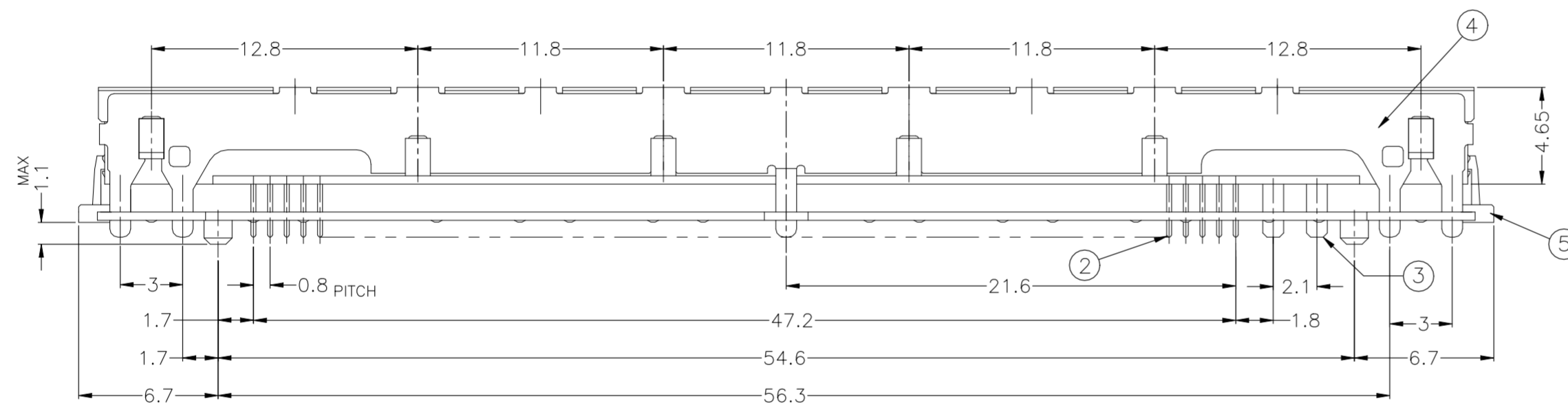
- 1 MATERIAL
HOUSING : THERMOPLASTIC, UL94V-0, BLACK
TINE PLATE : THERMOPLASTIC, UL94V-0, BLACK
SIGNAL CONTACT: COPPER ALLOY
POWER CONTACT : COPPER ALLOY
GROUND PLATE : COPPER ALLOY
NUT : STAINLESS STEEL
- 2 FINISH
SIGNAL CONTACT & POWER CONTACT
Au PI. ON CONTACT AREA
TIN PI. ON SOLDER AREA
Ni UNDER PI. ALL OVER
GROUND PLATE
TIN PI. ALL OVER (REFLOW)
Cu UNDER PI. ALL OVER
- 3 APPLICABLE THICKNESS OF P.C.BOARD : 1.2±0.1mm(-2), 1.4±0.1mm(-3, -5)
- 4 CONNECTOR TO BE MATED : 6674037-1, -2
- 5 RECOMMENDED TIGHTENING TORQUE : FROM 0.15N.m(1.5kgf.cm) TO 0.2N.m(2kgf.cm)

THIS DRAWING IS A CONTROLLED DOCUMENT.		DWN	TE Connectivity Ltd.		
DIMENSIONS: MM		CHK			
TOLERANCES UNLESS OTHERWISE SPECIFIED:		APVD	NAME		
0 PLC ±		PRODUCT SPEC	0.8 DOCKING CONNECTOR PLUG (240P + POWER 2P)		
1 PLC ±		APPLICATION SPEC	SIZE	CAGE CODE	DRAWING NO
2 PLC ±		WEIGHT	A2	00779	C=6674036
3 PLC ±		CUSTOMER DRAWING	SCALE	SHEET	REV
4 PLC ±			4:1	6 of 9	E1
ANGLES ±					

REVISIONS					
P	LTR	DESCRIPTION	DATE	DWN	APVD
-	-	SEE SHEET 1	-	-	-



DETAIL A (SCALE 8:1)
(CONTACT POS. NO. ASSIGN, H12 IS EQUAL TO H5.5)



ITEM NO.	NAME	QTY
1	TINE PLATE (FOR H5.5)	5
2	G-PLATE (FOR H5.5)	4
4	POWER CONTACT (FOR H5.5)	3
225	SIGNAL CONTACT	2
1	HSG A (FOR H5.5)	1
1- -1	NAME	ITEM NO.

POLE NUMBER
 SIGNAL 218P
 MODEM 2P
 LAN 5P
 VOID 15P
 POWER 2P

1-6674036-1;AS SHOWN
 SHEET 7 & 9

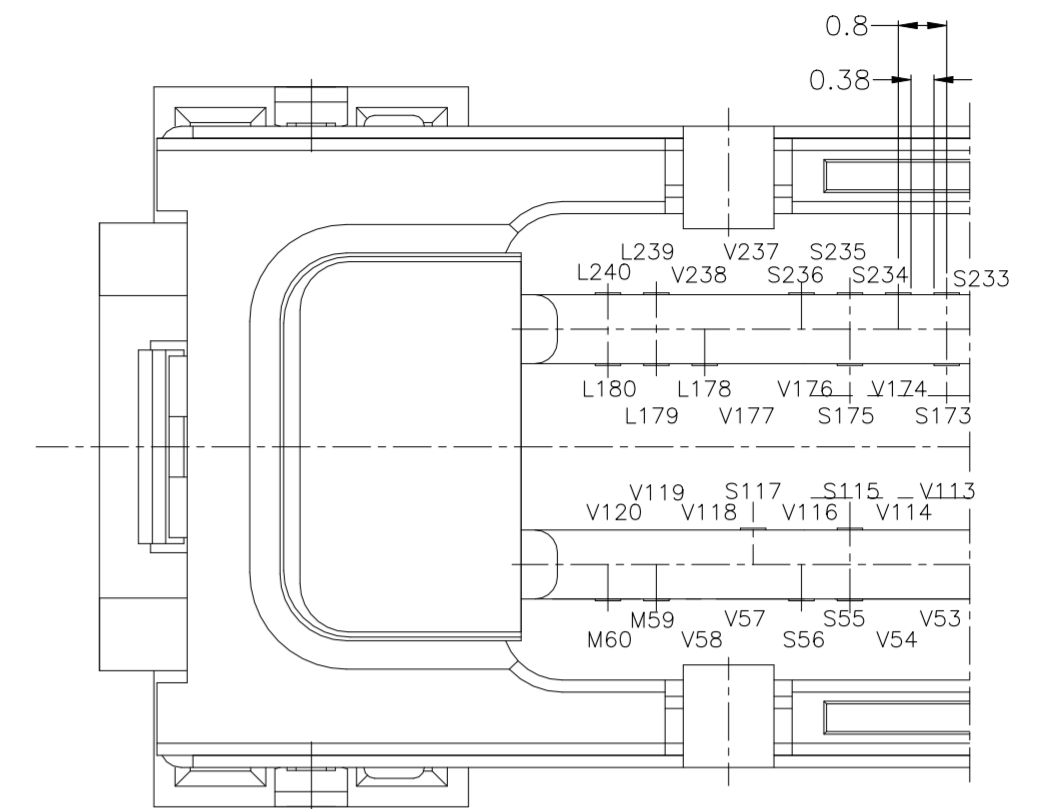
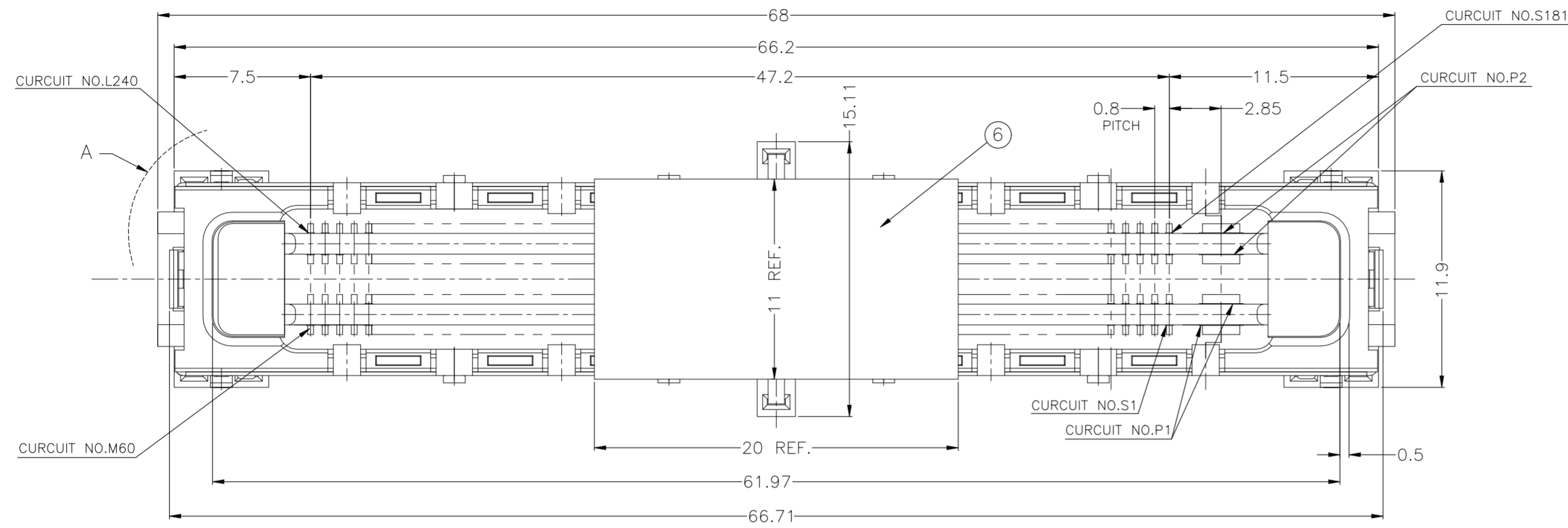
GENERAL TOLERANCE
 10 ≥ : ±0.2
 30 ≥ > 10: ±0.25
 100 ≥ > 30: ±0.3
 ANGLES : ±3°

THIS DRAWING IS A CONTROLLED DOCUMENT.

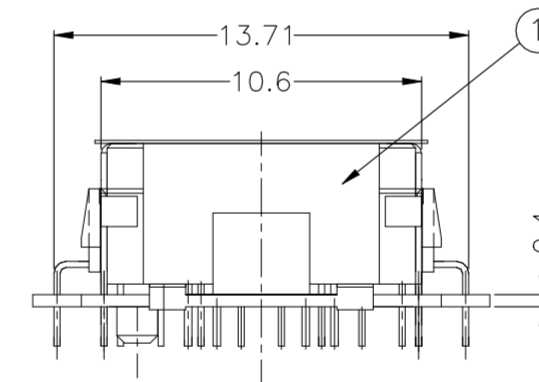
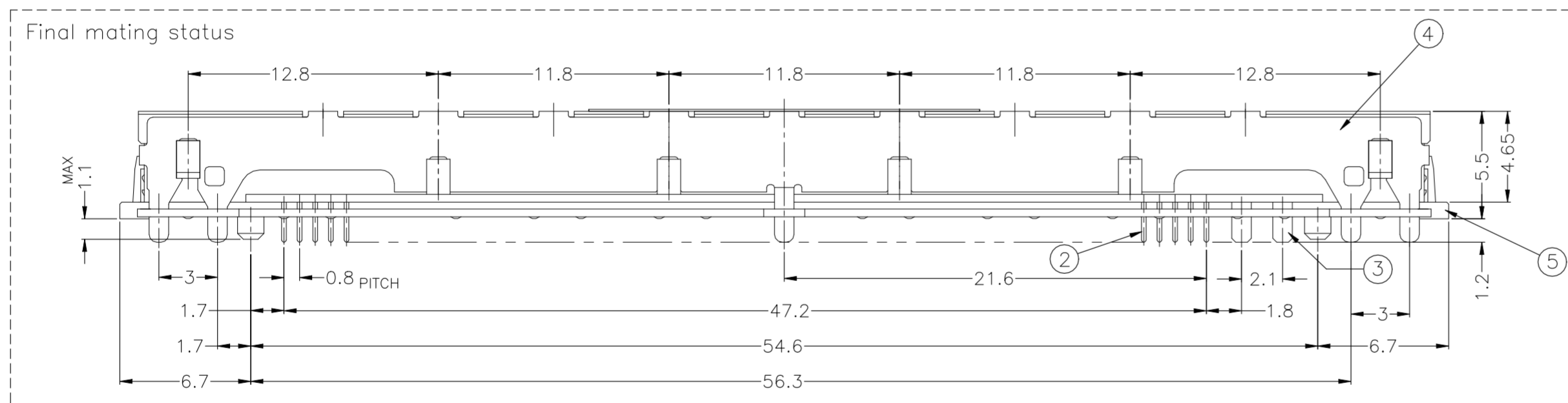
DIMENSIONS: MM	TOLERANCES UNLESS OTHERWISE SPECIFIED: 1 PLC ± 2 PLC ± 10 ≥ : ±0.2 3 PLC ± 30 ≥ > 10: ±0.25 4 PLC ± 100 ≥ > 30: ±0.3 ANGLES ± ±3°	DWN - CHK - APVD - PRODUCT SPEC - APPLICATION SPEC -	NAME - TE Connectivity Ltd.
MATERIAL	FINISH	WEIGHT -	SCALE A2 00779 C=6674036
CUSTOMER DRAWING		SCALE 4:1	SHEET 7 of 9

RESTRICTED TO

REVISIONS					
P	LTR	DESCRIPTION	DATE	DWN	APVD
-	-	SEE SHEET 1	-	-	-



DETAIL A (SCALE 8:1)
(CONTACT POS. NO. ASSIGN, H12 IS EQUAL TO H5.5)



QTY	DESCRIPTION	ITEM NO.
1	POLYIMIDE TAPE	6
1	TINE PLATE (FOR H5.5)	5
2	G-PLATE (FOR H5.5)	4
4	POWER CONTACT (FOR H5.5)	3
225	SIGNAL CONTACT	2
1	HSG A (FOR H5.5)	1
1- -2	NAME	ITEM NO.

POLE NUMBER
 SIGNAL 218P
 MODEM 2P
 LAN 5P
 VOID 15P
 POWER 2P

1-6674036-2;AS SHOWN
 SHEET 8 & 9

GENERAL TOLERANCE
 10 ≥ : ±0.2
 30 ≥ > 10: ±0.25
 100 ≥ > 30: ±0.3
 ANGLES : ±3°

THIS DRAWING IS A CONTROLLED DOCUMENT.

DIMENSIONS: MM	TOLERANCES UNLESS OTHERWISE SPECIFIED:	DWN	CHK	APVD	PRODUCT SPEC	APPLICATION SPEC	WEIGHT	CUSTOMER DRAWING
1 PLC ±	10 ≥ : ±0.2	-	-	-	-	-	-	-
2 PLC ±	30 ≥ > 10: ±0.25	-	-	-	-	-	-	-
3 PLC ±	100 ≥ > 30: ±0.3	-	-	-	-	-	-	-
4 PLC ANGLES	± ±3°	-	-	-	-	-	-	-
MATERIAL	FINISH	TE Connectivity Ltd.		0.8 DOCKING CONNECTOR PLUG (240P + POWER 2P)		SCALE	SHEET	REV
		A2 00779 C=6674036		4:1 8 of 9		E1		

