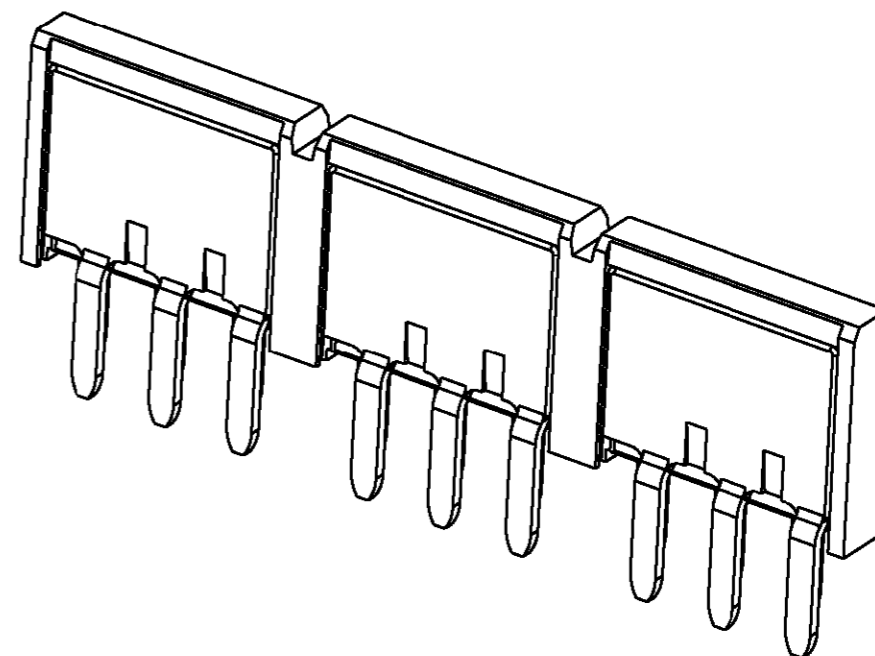


THIS DRAWING IS UNPUBLISHED. RELEASED FOR PUBLICATION 20
 © COPYRIGHT 20 BY TYCO ELECTRONICS CORPORATION. ALL RIGHTS RESERVED.

LOC	DIST	REVISIONS			
P	LTR	DESCRIPTION	DATE	DWN	APVD
GP	00	A	RELEASED	17JAN2007	RG SF

- PART NUMBER CHANGES AND OR DESIGN CHANGES AFFECTING ITEM INTERCHANGEABILITY REQUIRE PRIOR TYCO APPROVAL AND AUTHORIZATION BY REVISION TO THIS DRAWING.
- ITEMS PROVIDED TO THIS SPECIFICATION TO BE BAGGED AND TAG IDENTIFIED PER THE FOLLOWING IDENTIFIER:
 YEAR WEEK
 TYCO PART NO. XXXXXXXX-X DATE CODE (e.g. 0425) XXXX
- MATERIALS:
 INSULATOR: THERMOPLASTIC GLASS REINFORCED,
 COLOR: BLACK, UL94V-0 FLAMMABILITY
 CONTACTS: COPPER ALLOY
- FINISH:
 CONTACT: SELECTIVELY GOLD PLATE 0.00076mm MIN. THK. OVER
 NICKEL 0.00127mm MIN THK.
 SOLDER TAILS: TIN PLATE .00305mm MIN THK. OVER
 NICKEL 0.00127mm MIN THK.
- A REFERENCE DIMENSION (.XXX) IS WITHOUT TOLERANCE AND USED FOR INFORMATION PURPOSES ONLY.
- SEE DRAWING C-6651712 FOR MATING SOCKET CONNECTOR.

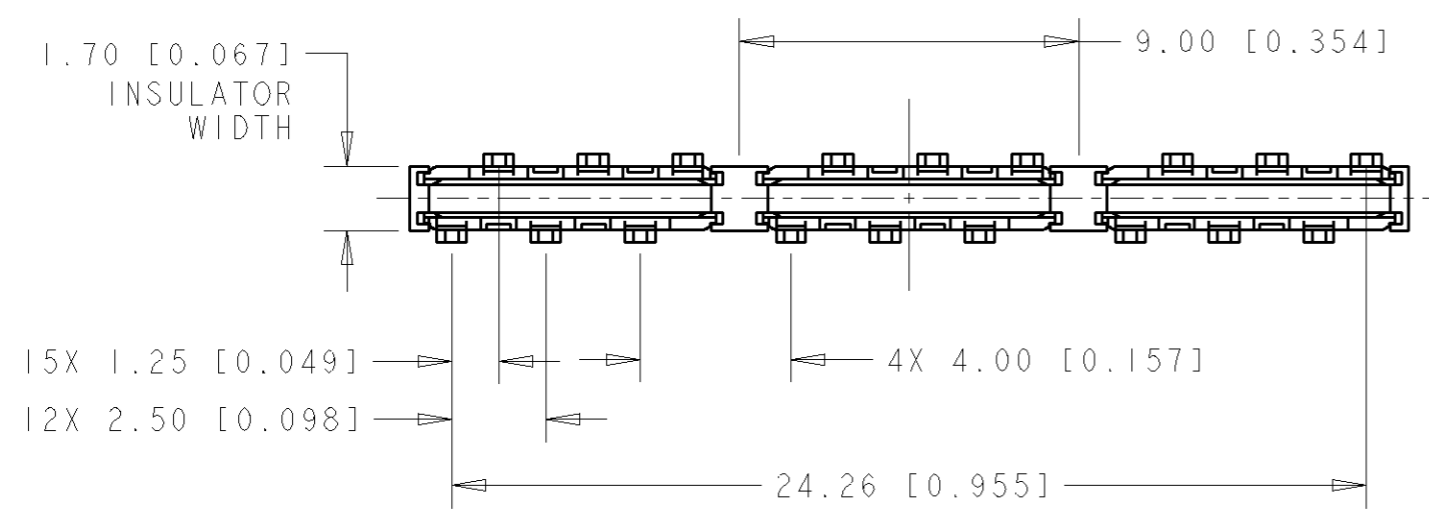
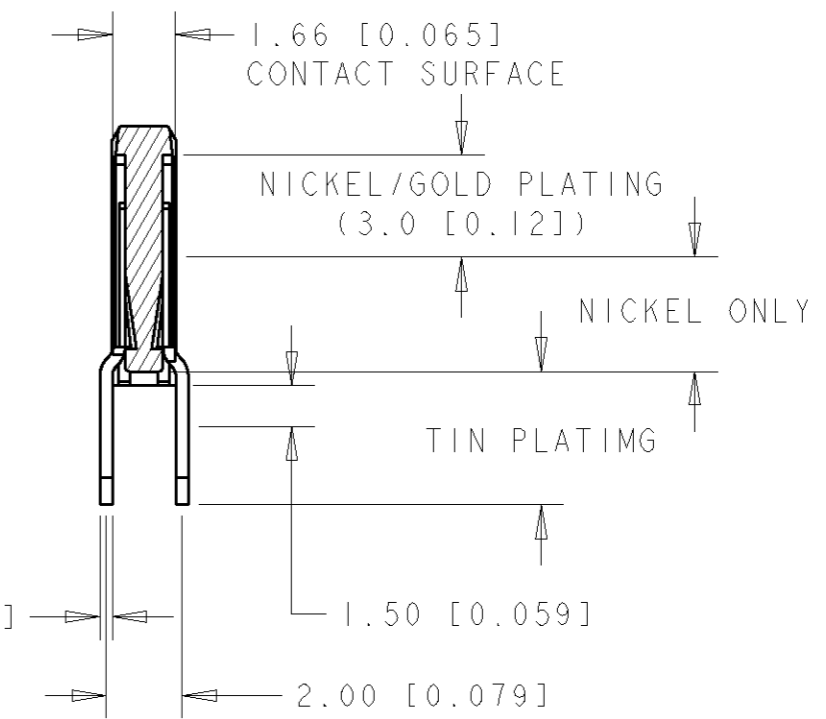
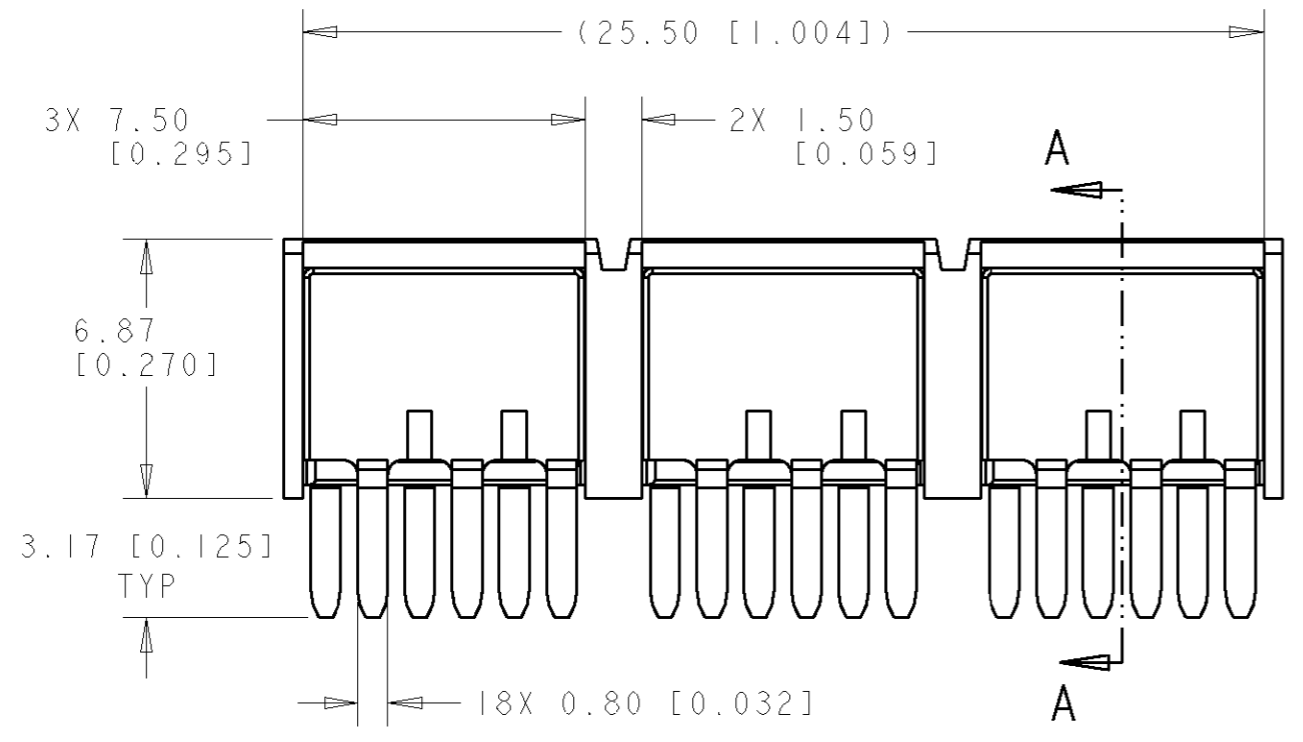
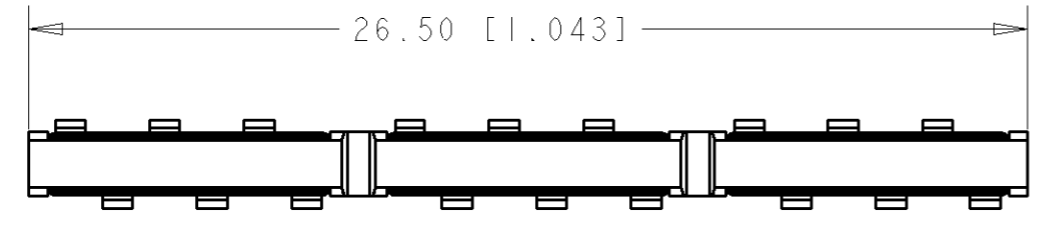


AS SHOWN	6651711-1
DESCRIPTION	PART NO.

<small>THIS DRAWING IS A CONTROLLED DOCUMENT FOR TYCO ELECTRONICS CORPORATION IT IS SUBJECT TO CHANGE AND THE CONTROLLING ENGINEERING ORGANIZATION SHOULD BE CONTACTED FOR THE LATEST REVISION.</small>		DWN	R. GRZYBOWSKI	17 JAN 2007	Tyco Electronics Harrisburg, PA 17105-3608
DIMENSIONS: mm [INCHES]		CHK	S. FLICKINGER	17 JAN 2007	
		APVD	S. FLICKINGER	17 JAN 2007	
TOLERANCES UNLESS OTHERWISE SPECIFIED: 0 PLC ±- 1 PLC ±0.5 [.02] 2 PLC ±0.25 [.010] 3 PLC ±- 4 PLC ±- ANGLES ±2		PRODUCT SPEC	NAME		MC-P3S0 MINI CROWN EDGE BLADE CONNECTOR, SOLDER TAIL
MATERIAL -		FINISH -	APPLICATION SPEC		RESTRICTED TO
-		WEIGHT -	SIZE	CAGE CODE	DRAWING NO
-		CUSTOMER DRAWING	A3	00779	C-6651711
-		SCALE	5:1	SHEET	1 OF 4
-		REV	A		

THIS DRAWING IS UNPUBLISHED. RELEASED FOR PUBLICATION 20
 © COPYRIGHT 20 BY TYCO ELECTRONICS CORPORATION. ALL RIGHTS RESERVED.

LOC	DIST	REVISIONS				
P	LTR	DESCRIPTION	DATE	DWN	APVD	
GP	00	-	SEE SHEET 1	-	-	



THIS DRAWING IS A CONTROLLED DOCUMENT FOR TYCO ELECTRONICS CORPORATION
 IT IS SUBJECT TO CHANGE AND THE CONTROLLING ENGINEERING ORGANIZATION
 SHOULD BE CONTACTED FOR THE LATEST REVISION.

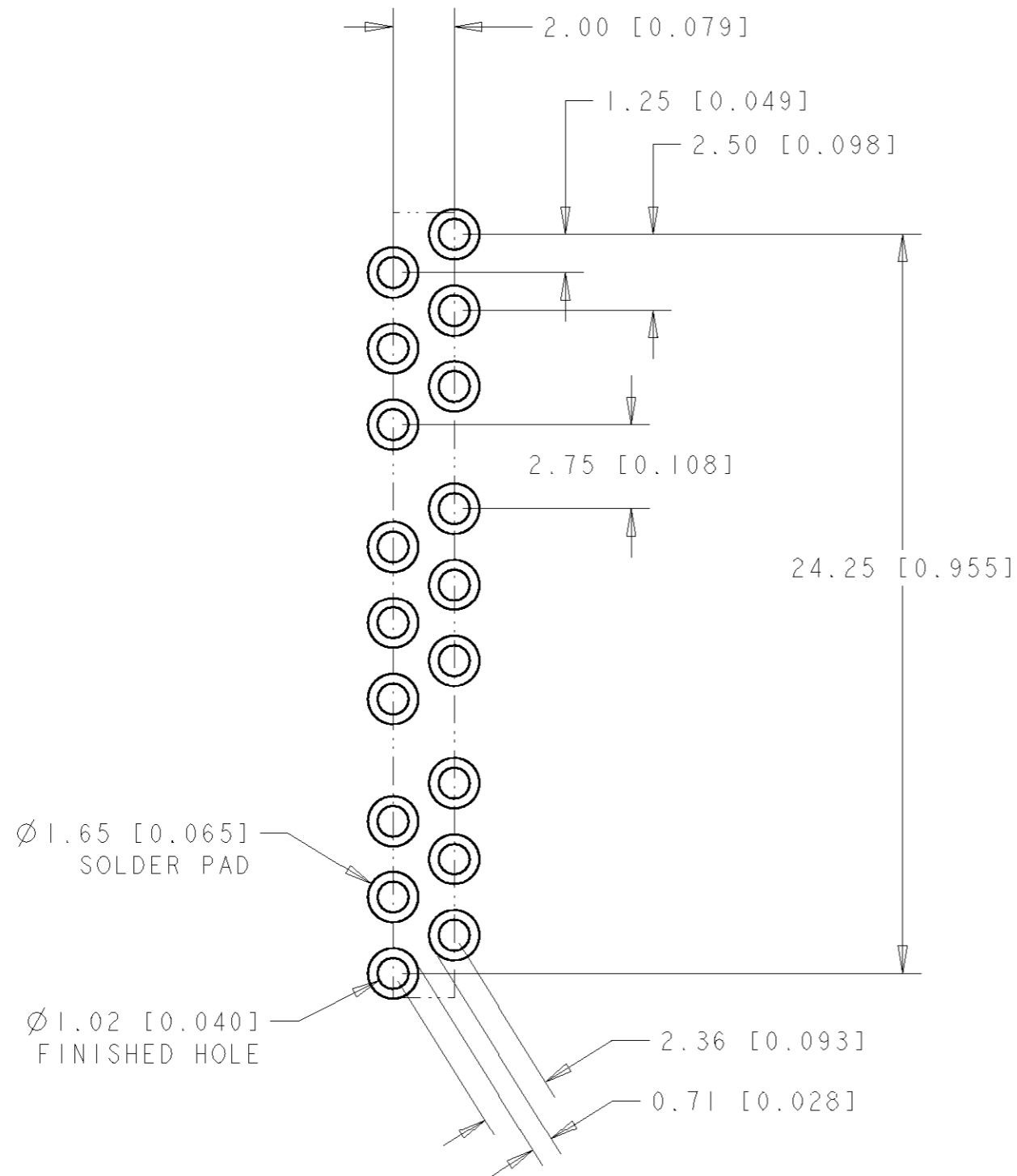
DIMENSIONS: mm [INCHES]		TOLERANCES UNLESS OTHERWISE SPECIFIED:	
		0 PLC	±
		1 PLC	±0.5 [0.02]
		2 PLC	±0.25 [0.010]
		3 PLC	±
		4 PLC	±
MATERIAL		FINISH	

DWN	R. GRZYBOWSKI	17 JAN 2007
CHK	S. FLICKINGER	17 JAN 2007
APVD	S. FLICKINGER	17 JAN 2007
PRODUCT SPEC	-	
APPLICATION SPEC	-	
WEIGHT	-	
CUSTOMER DRAWING		

		Tyco Electronics Harrisburg, PA 17105-3608	
NAME MC-P350 MINI CROWN EDGE BLADE CONNECTOR, SOLDER TAIL			
SIZE	CAGE CODE	DRAWING NO	RESTRICTED TO
A3	00779	C-6651711	-
SCALE 5:1		SHEET 2 OF 4	REV A

THIS DRAWING IS UNPUBLISHED. RELEASED FOR PUBLICATION 20
 © COPYRIGHT 20 BY TYCO ELECTRONICS CORPORATION. ALL RIGHTS RESERVED.

LOC	DIST	REVISIONS			
P	LTR	DESCRIPTION	DATE	DWN	APVD
GP	00	-	SEE SHEET 1	-	-

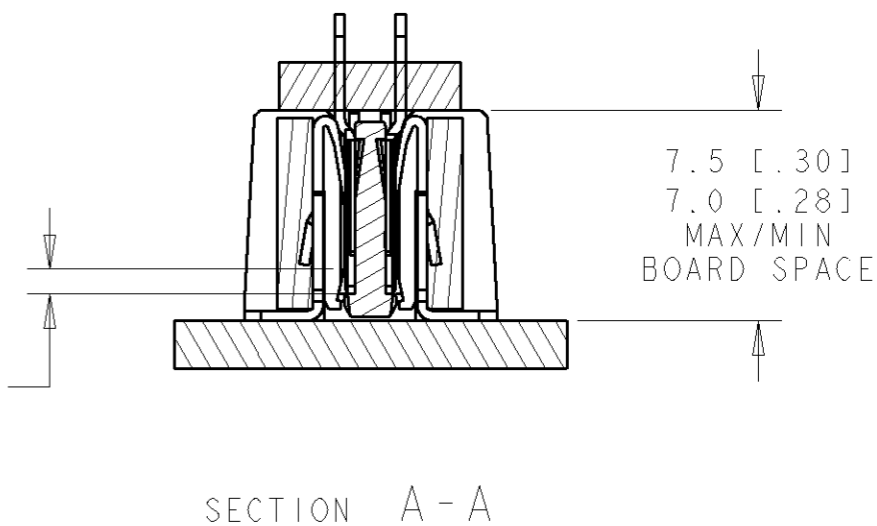
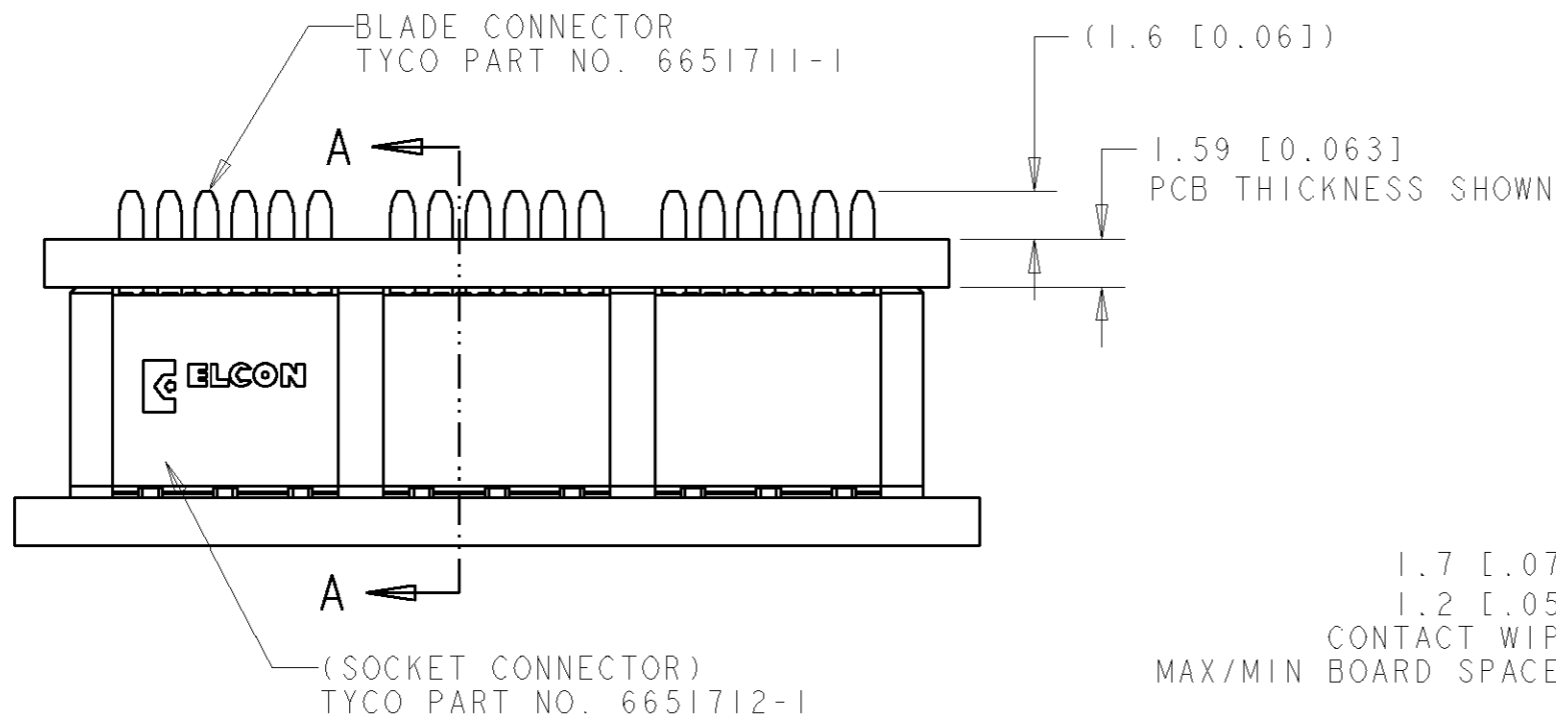


PRINTED CIRCUIT LAYOUT
 SOLDER LEAD HOLE & PAD GUIDELINES

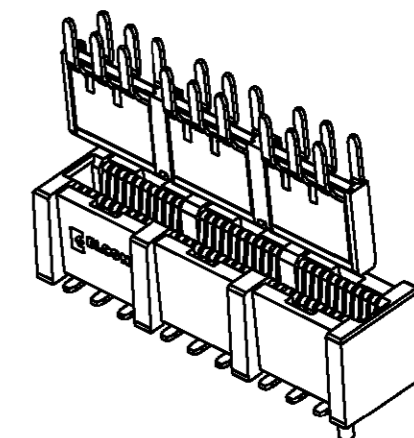
<small>THIS DRAWING IS A CONTROLLED DOCUMENT FOR TYCO ELECTRONICS CORPORATION IT IS SUBJECT TO CHANGE AND THE CONTROLLING ENGINEERING ORGANIZATION SHOULD BE CONTACTED FOR THE LATEST REVISION.</small>		DWN R. GRZYBOWSKI 17 JAN 2007 CHR S. FLICKINGER 17 JAN 2007 APVD S. FLICKINGER 17 JAN 2007	Tyco Electronics Harrisburg, PA 17105-3608
DIMENSIONS: mm [INCHES]	TOLERANCES UNLESS OTHERWISE SPECIFIED:	PRODUCT SPEC - APPLICATION SPEC - WEIGHT -	NAME MC-P3S0 MINI CROWN EDGE BLADE CONNECTOR, SOLDER TAIL
	0 PLC ±- 1 PLC ±0.5 [.02] 2 PLC ±0.25 [.010] 3 PLC ±- 4 PLC ±- ANGLES ±2	SIZE A3 CAGE CODE 00779 DRAWING NO C-6651711	RESTRICTED TO -
MATERIAL -	FINISH -	CUSTOMER DRAWING	SCALE 5:1 SHEET 3 OF 4 REV A

THIS DRAWING IS UNPUBLISHED. RELEASED FOR PUBLICATION 20
 © COPYRIGHT 20 BY TYCO ELECTRONICS CORPORATION. ALL RIGHTS RESERVED.

LOC	DIST	REVISIONS				
P	LTR	DESCRIPTION	DATE	DWN	APVD	
GP	00	-	SEE SHEET 1	-	-	



MATED CONDITION



<small>THIS DRAWING IS A CONTROLLED DOCUMENT FOR TYCO ELECTRONICS CORPORATION IT IS SUBJECT TO CHANGE AND THE CONTROLLING ENGINEERING ORGANIZATION SHOULD BE CONTACTED FOR THE LATEST REVISION.</small>		DWN R. GRZYBOWSKI 17 JAN 2007 CHR S. FLICKINGER 17 JAN 2007 APVD S. FLICKINGER 17 JAN 2007		tyco Tyco Electronics Electronics Harrisburg, PA 17105-3608	
DIMENSIONS: mm [INCHES]		TOLERANCES UNLESS OTHERWISE SPECIFIED: 0 PLC ±- 1 PLC ±0.5 [.02] 2 PLC ±0.25 [.010] 3 PLC ±- 4 PLC ±- ANGLES ±2		NAME MC-P3S0 MINI CROWN EDGE BLADE CONNECTOR, SOLDER TAIL	
MATERIAL -		FINISH -		PRODUCT SPEC - APPLICATION SPEC - WEIGHT -	
		CUSTOMER DRAWING		SIZE A3 CAGE CODE 00779 DRAWING NO C-6651711 RESTRICTED TO -	
		SCALE 5:1		SHEET 4 OF 4 REV A	