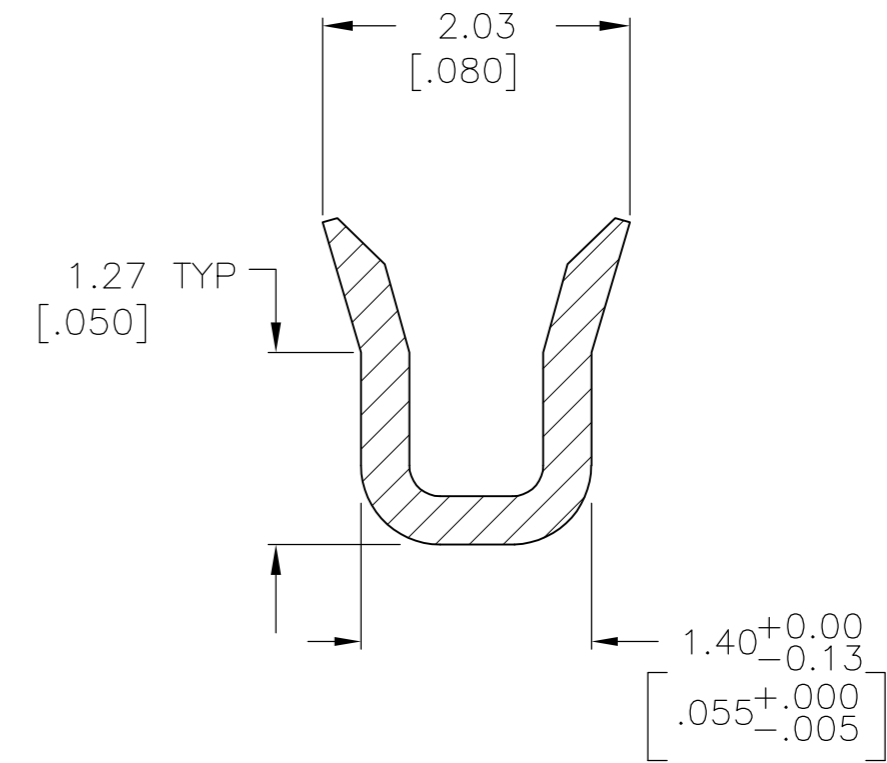
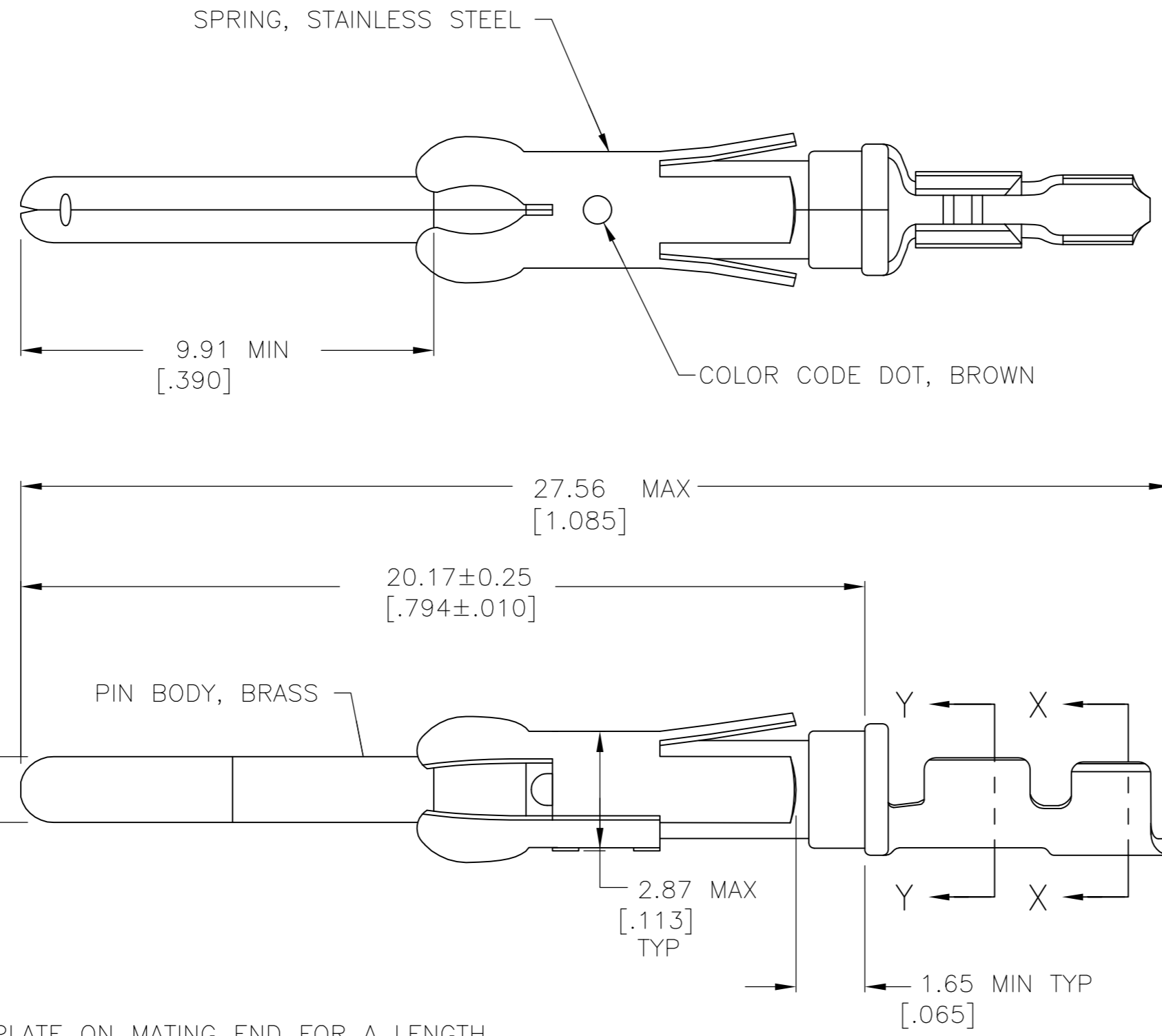
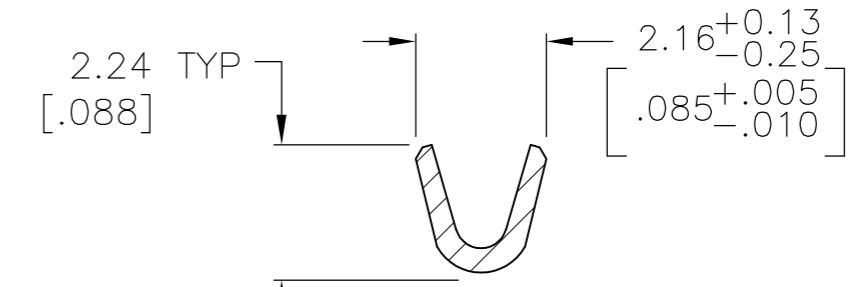


THIS DRAWING IS UNPUBLISHED. RELEASED FOR PUBLICATION
 © COPYRIGHT - By - ALL RIGHTS RESERVED.

REVISIONS				
P	LTR	DESCRIPTION	DATE	APVD
S1		REVISED PER ECO-16-001847	19JUL2016	NK MZ



SECTION Y-Y
SCALE 20:1



SECTION X-X

- 1 0.76µm [.000030] MIN PRECIOUS METAL PLATE ON MATING END FOR A LENGTH OF 5.08 [.200] MIN WITH A UNIFORM GRADIENT TO 0.25µm [.000010] ON REMAINDER, OVER 1.27µm [.000050] MIN NICKEL PLATE. GOLD FLASH ALL OVER. CONFORMS TO THE REQUIREMENTS OF TYCO ELECTRONICS PRODUCT SPEC 108-10042, BASED ON EIA/ECA-364-1000.01A (CONTROLLED ENVIRONMENT APPLICATIONS).
- 2 0.76µm [.000030] MIN PRECIOUS METAL PLATE ON MATING END FOR A LENGTH OF 5.08 [.200] MIN WITH 1.27µm [.000050] MIN MATTE TIN PLATE IN WIRE CRIMP AREA BOTH OVER 1.27µm [.000050] MIN NICKEL PLATE CONFORMS TO THE REQUIREMENTS OF TYCO ELECTRONICS PRODUCT SPEC 108-10042, BASED ON EIA/ECA-364-1000.01A (CONTROLLED ENVIRONMENT APPLICATIONS).
- 3 0.38µm [.000015] MIN GOLD IN LOCALIZED PLATE AREA, 1.27µm [.000050] MIN MATTE TIN PLATE IN WIRE CRIMP AREA BOTH OVER 1.27µm [.000050] NICKEL.
- 4 WIRE RANGE 26-30 AWG.
- 5 INSULATION RANGE 1.02[.040]-1.52[.060] DIA.
- 6 0.38µm [.000015] MIN GOLD PER MIL-G-45204 IN LOCALIZED PLATE AREA, 1.27µm [.000050] MIN TIN-LEAD PER MIL-T-10727 FOR A LENGTH OF 5.69 [.224] MIN ON OPPOSITE END, BOTH OVER 1.27µm [.000050] MIN NICKEL PER QQ-N-290 ON ENTIRE CONTACT.

OBSOLETE	6	1-66425-1	-66429-6-
	2	66425-4	66429-4
	3	66425-3	66429-3
OBSOLETE	1	66425-1	-66429-1-
FINISH		STRIP P/N REF	PART NO.

THIS DRAWING IS A CONTROLLED DOCUMENT.		DWN H MOLL 9-27-90		
DIMENSIONS: mm [INCHES]		CHK A. BOULLIANNE 12-15-90		
TOLERANCES UNLESS OTHERWISE SPECIFIED:		APVD R. WALTER 5-1-91	NAME	
0 PLC ± -	1 PLC ± -	PRODUCT SPEC	PIN ASSEMBLY, LOOSE PIECE, TYPE III+	
2 PLC ± 0.13[.005]	3 PLC ± -	APPLICATION SPEC	SIZE	CAGE CODE
4 PLC ± -	ANGLES ± -	WEIGHT -	A2	00779
MATERIAL SEE CALL OUT	FINISH PIN BODY:SEE TABLE	CUSTOMER DRAWING	DRAWING NO	RESTRICTED TO
			SCALE 8:1	SHEET 1 OF 1
			REV S1	