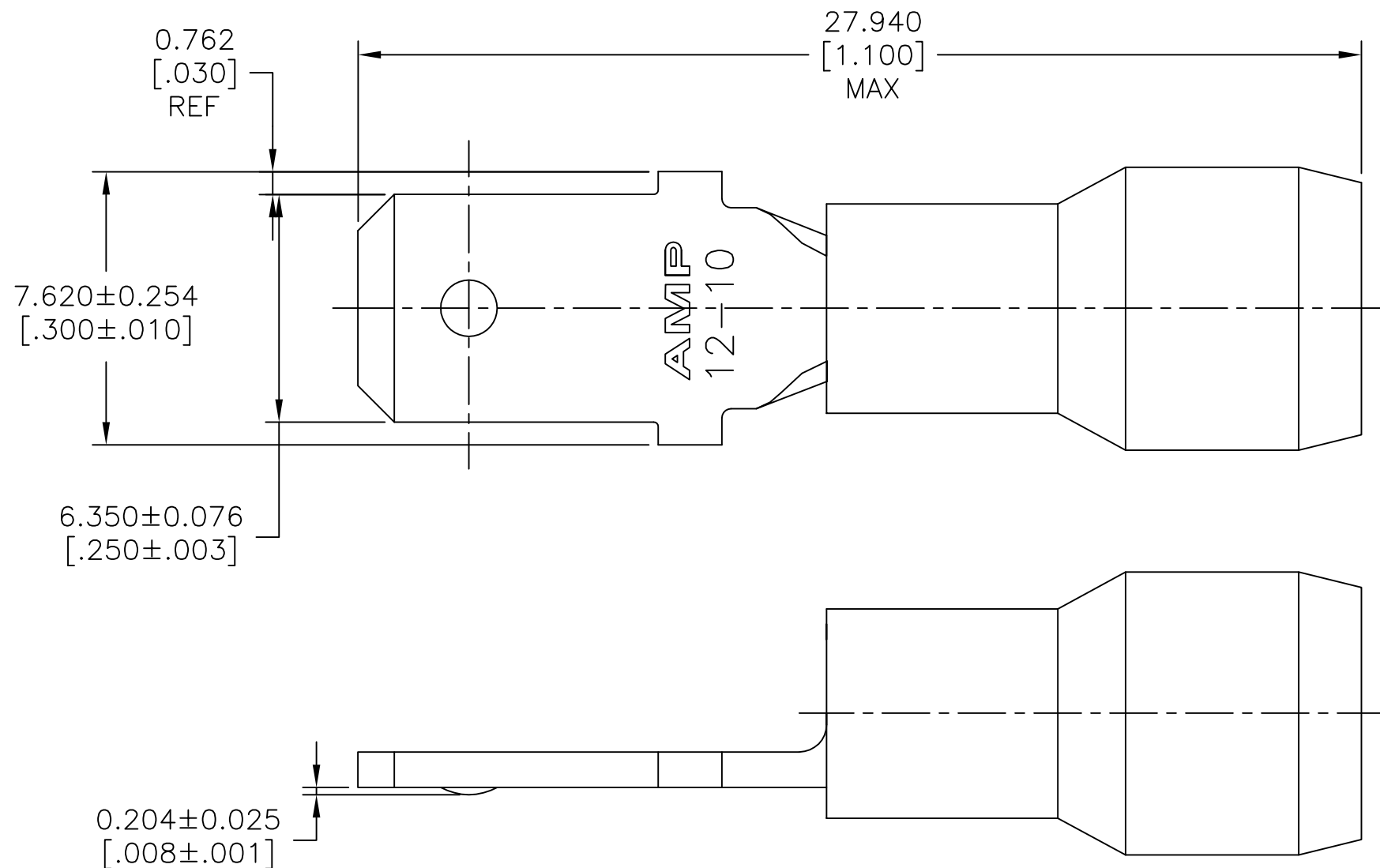



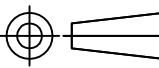
REVISIONS

P	LTR	DESCRIPTION	DATE	DWN	APVD
	G	REDRAWN PER OG3A-0427-02	10SEP02	JR	TM
	G1	REVISED PER ECO-17-002887	29AUG2017	RS	DR



- 1 STAMPED "AMP 12-10".
- 2 WIRE INSULATION $\phi 3.810-5.842[\phi .150-.230]$
- 3 MATERIAL THK IS $0.100 \pm 0.050[.039 \pm .002]$

50	YELLOW, PVC	COPPER, TIN	LOOSE PIECES	66025-6
500	YELLOW, PVC	COPPER, TIN	LOOSE PIECES	66025-2
QTY	SLEEVE	MATERIAL & FINISH	PACKAGING TYPE	PART NO

THIS DRAWING IS A CONTROLLED DOCUMENT.		DWN JR RUTH 10SEP2002	 TE Connectivity		
DIMENSIONS: mm [INCHES]		CHK T MICHELUTTI 10SEP02			
TOLERANCES UNLESS OTHERWISE SPECIFIED:		APVD T MICHELUTTI 10SEP02	PRODUCT SPEC -		
		APPLICATION SPEC -	SIZE A3		RESTRICTED TO -
MATERIAL SEE TABLE		FINISH SEE TABLE	WEIGHT -	CAGE CODE 00779	DRAWING NO C-66025
CUSTOMER DRAWING			SCALE 6:1	SHEET 1 OF 1	REV G1