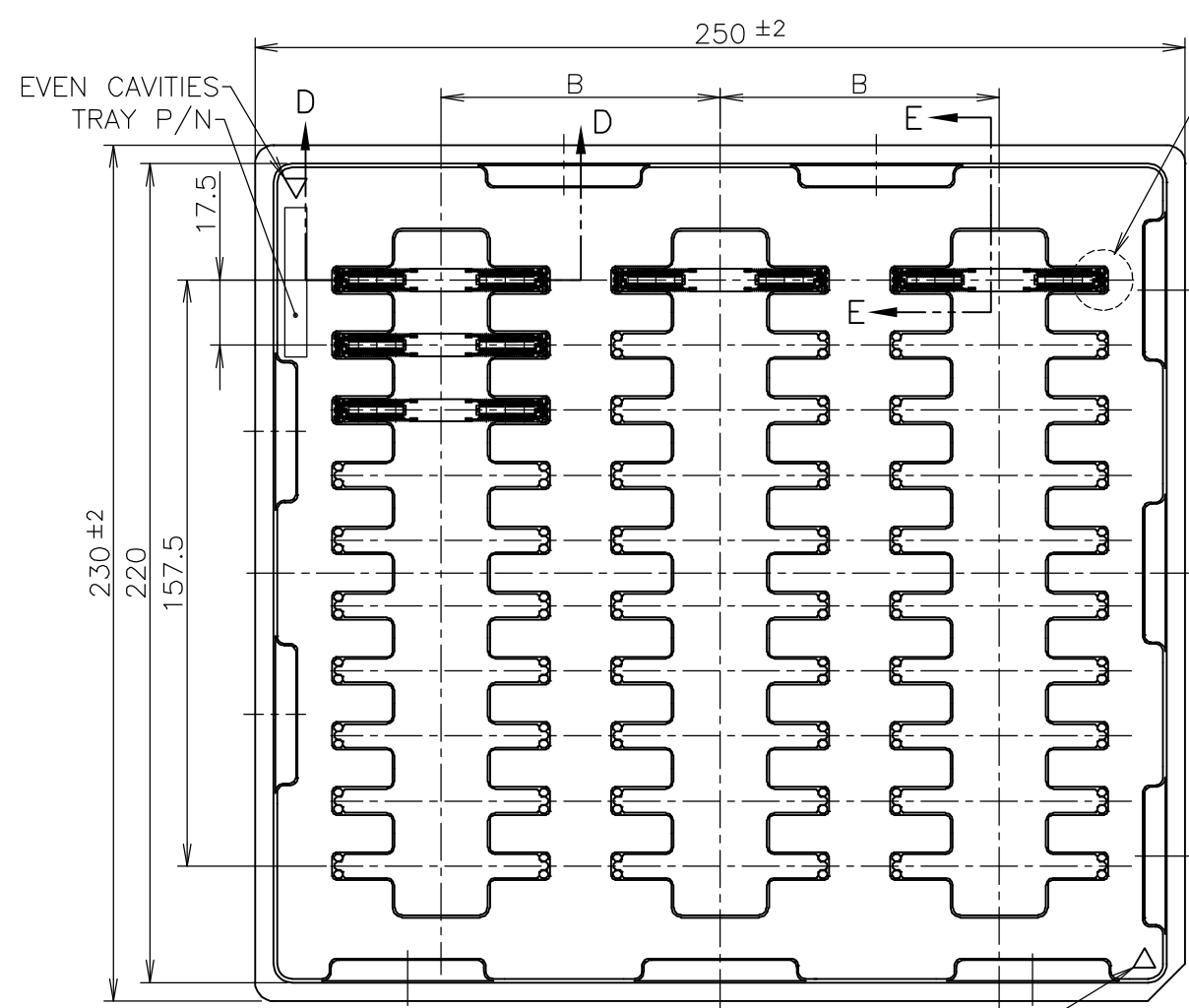
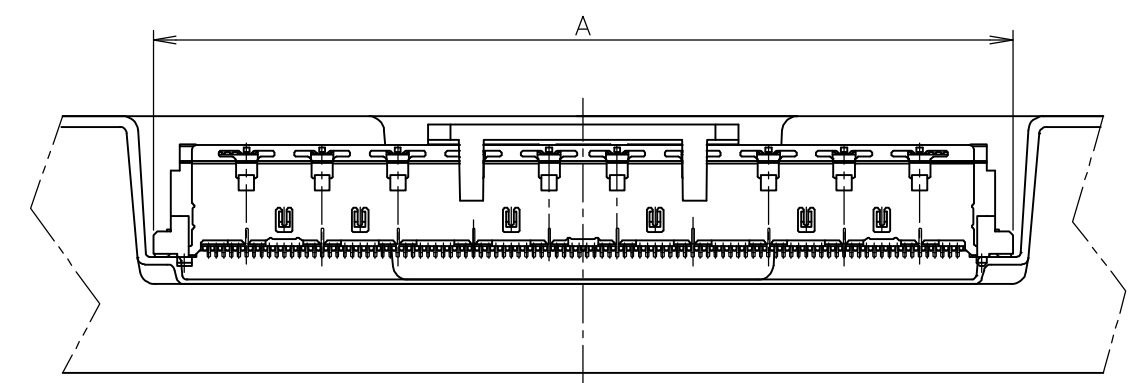


THIS DRAWING IS UNPUBLISHED. RELEASED FOR PUBLICATION OCT, 2005.
 © COPYRIGHT 2005 BY TYCO ELECTRONICS CORPORATION. ALL RIGHTS RESERVED.

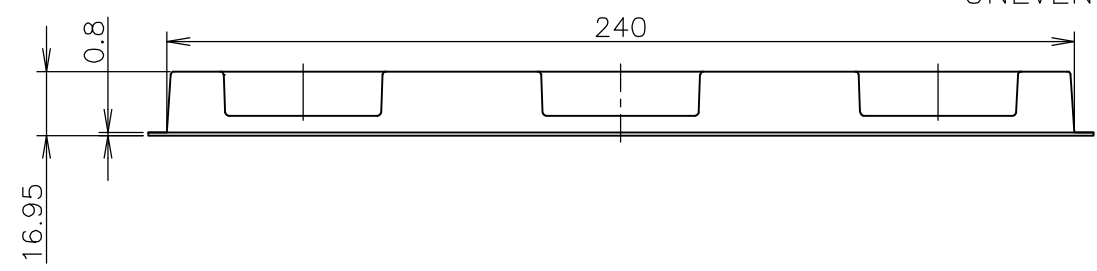
LOC	DIST	REVISIONS			DATE	DWN	APVD
J	/	P	LTR	DESCRIPTION			
			A1	REVISED	07MAR07	Y.H	Y.Y



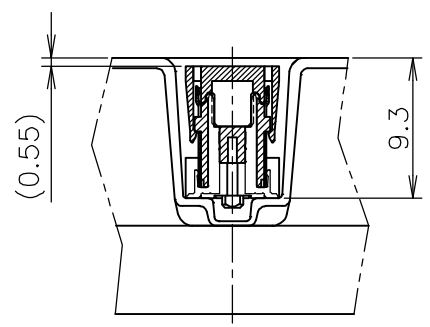
SEE
DETAIL C



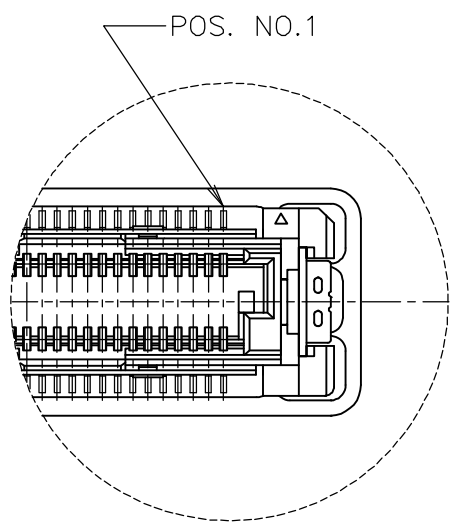
D-D
(SCALE 2:1)



UNEVEN CAVITIES



E-E
(SCALE 2:1)



DETAIL C
(SCALE 4:1)

CAP COLOR	TOOLING AVAIL	ROW	QTY	B	A	POS.	PART NO.
BLACK	Y	3	30	75	56.8	200	4-6565779-5
	N	↑	↑	↑	66.8	240	
NATURAL	N			↓	61.8	220	
	Y			75	56.8	200	3-6565779-5
NON SIF	N			70	51.8	180	
	↑			↑	49.3	170	
					46.8	160	
					44.3	150	
					41.8	140	
		3	30	70	36.8	120	
		5	50	43	31.8	100	
		↑	↑	↑	29.3	90	
					26.8	80	
					24.3	70	
					21.8	60	
					19.3	50	
					16.8	40	
	N	5	50	43	14.3	30	

THIS DRAWING IS A CONTROLLED DOCUMENT.

DWN D.LIU	13OCT2005	tyco Electronics	Tyco Electronics AMP K.K. Kawasaki, Japan	
CHK T.FUTATSUGI	13OCT2005		NAME 名称	
APVD W.KODAMA	13OCT2005	PRODUCT SPEC 製品規格 108-5560		
APPLICATION SPEC 取付適用規格		SEMI HARD TRAY ASSY FH 0.5BTB CONNECTOR PLUG 8H WITH G-PLATE AND CAP		
MATERIAL 材料	FINISH 仕上	SIZE A3	CAGE CODE 00779	DRAWING NO 番号 C-6565779
CUSTOMER DRAWING		SCALE 尺度 1:2	SHEET 1 OF 5	RESTRICTED TO REV A1

4

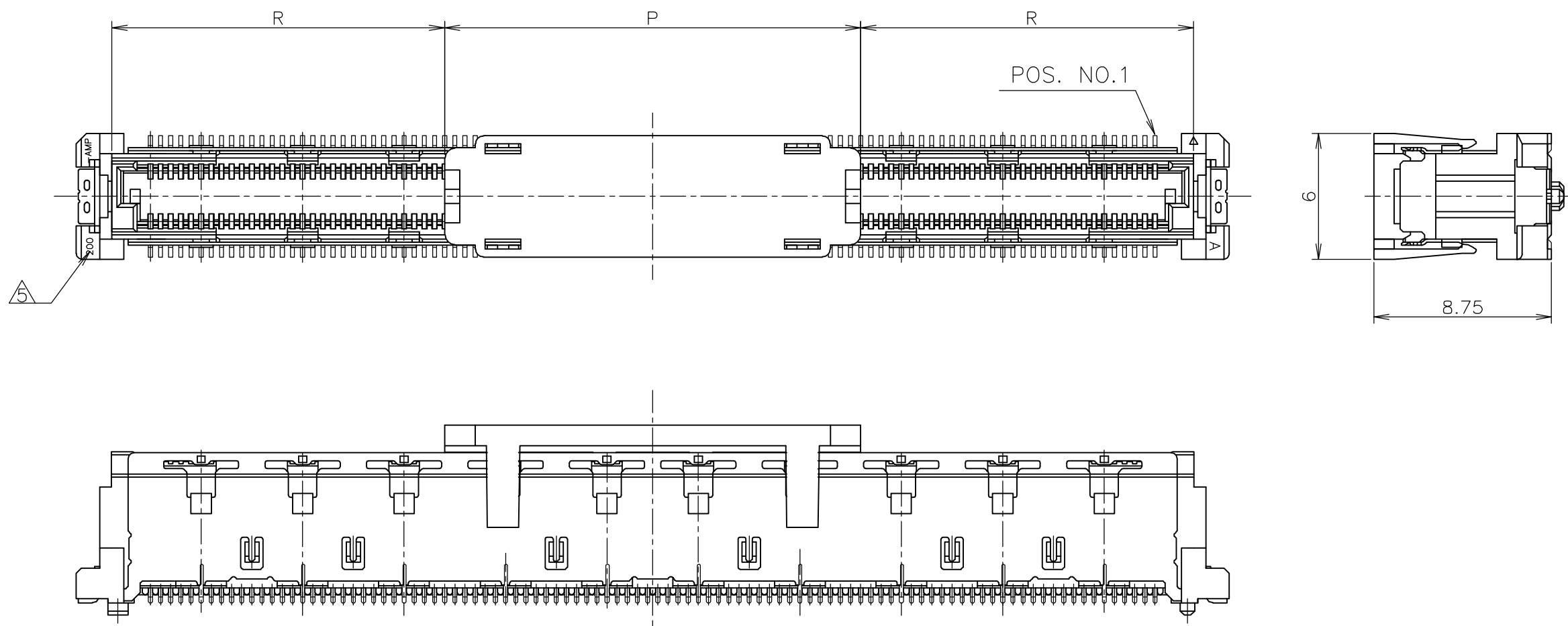
3

2

1

THIS DRAWING IS UNPUBLISHED. RELEASED FOR PUBLICATION OCT ,2005.
 © COPYRIGHT 2005 BY TYCO ELECTRONICS CORPORATION. ALL RIGHTS RESERVED.

LOC	DIST	REVISIONS 変更					
J	/	P	LTR	DESCRIPTION	DATE	DWN	APVD
			-	SEE SHEET 1	-	-	-



21.4	20.5	240
18.9	↑	220
16.4		200
13.9		180
12.65		170
11.4		160
10.15		150
8.9	↓	140
6.4	20.5	120
8.9	10.5	100
7.65	↑	90
6.4	↓	80
5.15		70
3.9	10.5	60
3.9	8	50
1.4	10.5	40
1.4	8	30
R	P	POS.

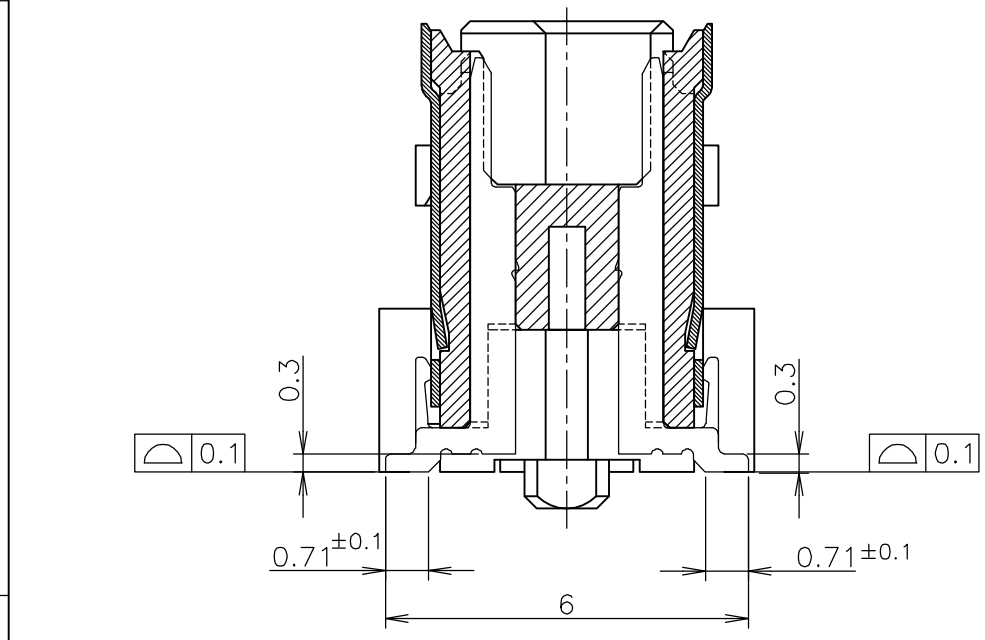
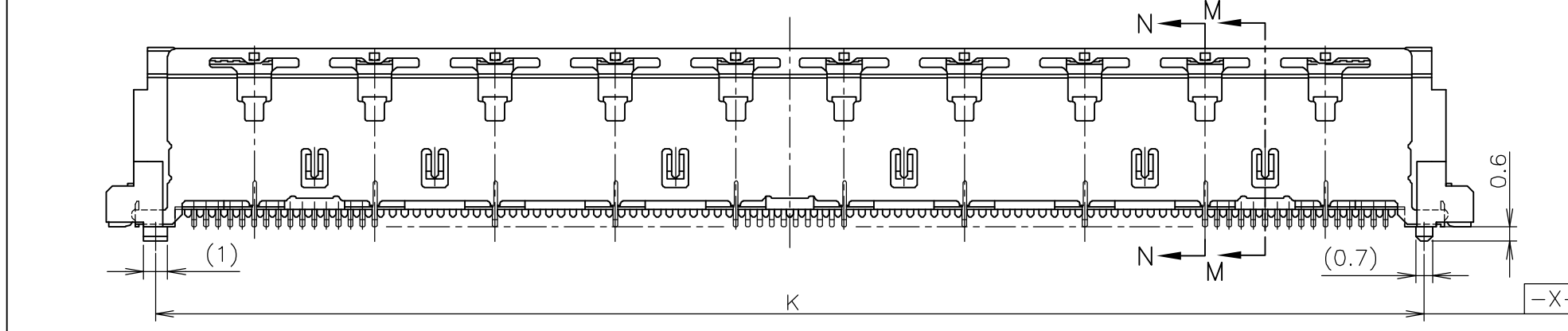
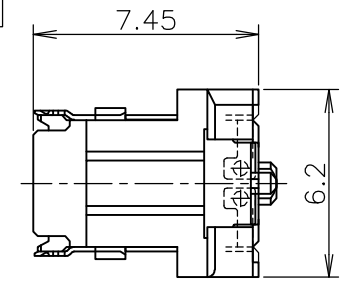
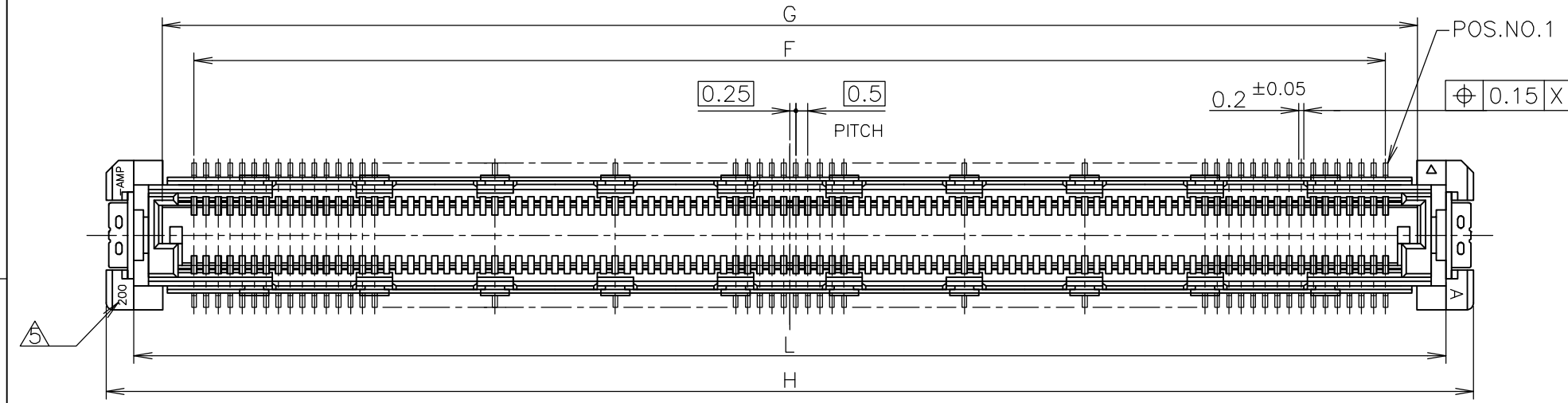
- △ MATERIAL;
HOUSING: HIGH TEMP THERMO PLASTIC UL94V-0
CONTACT: COPPER ALLOY
- △ FINISH;
SIGNAL CONTACT: UNDER PL Ni 0.0013mm MIN ALL OVER.
CONTACT AREA 0.0002mm MIN Au PL.
SOLDERING AREA 0.001mm MIN TIN PL.
GROUND CONTACT: UNDER PL Ni 0.0013mm MIN ALL OVER.
CONTACT AREA 0.0002mm MIN Au PL.
SOLDERING AREA 0.001mm MIN TIN PL.
SOLDER PEG: 0.001mm MIN TIN PL. OVER 0.0013mm MIN Ni PL ALL OVER.

- △ THIS POSITION IS GROUND CIRCUIT.
- △ THIS PRODUCT WAS COATED BY ANTI-FLUX-PENETRATION AGENT.
- △ NO. OF CIRCUIT (DEPEND ON CONNECTOR POS).

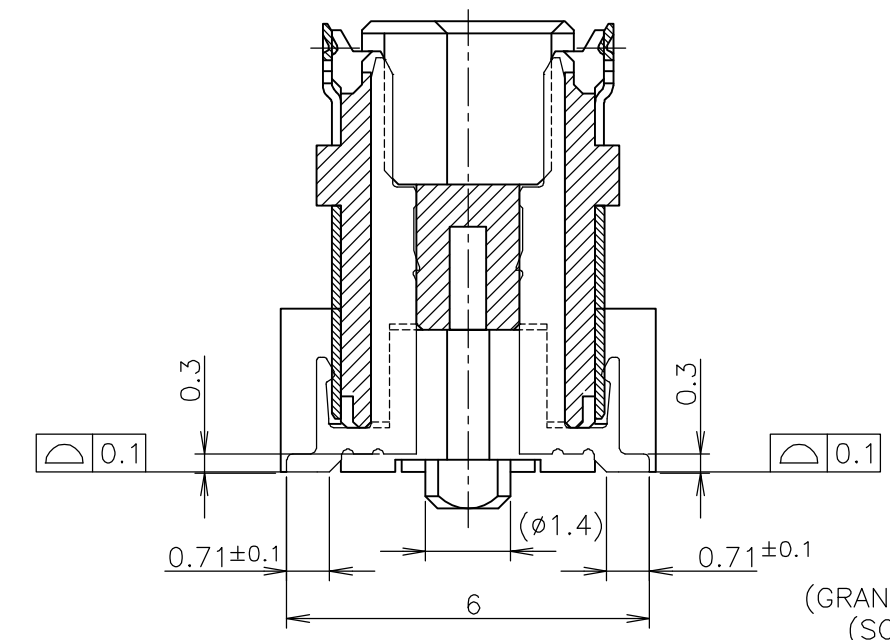
THIS DRAWING IS A CONTROLLED DOCUMENT.		DWN	Tyco Electronics AMP K.K. Kawasaki, Japan	
DIMENSIONS: 単位: 耗 mm		CHK		
TOLERANCES UNLESS OTHERWISE SPECIFIED: 一般公差		APVD	NAME 名称	
0 PLC ±		PRODUCT SPEC 製品規格	SEMI HARD TRAY ASSY	
1 PLC ±		APPLICATION SPEC 取付適用規格	FH 0.5BTB CONNECTOR	
2 PLC ±		WEIGHT	PLUG 8H WITH G-PLATE AND CAP	
3 PLC ±		CUSTOMER DRAWING	SIZE	RESTRICTED TO
4 PLC ±			A3	-
ANGLES ±		CAGE CODE	DRAWING NO	SCALE
FINISH 仕上		00779	G-6565779	尺度 4:1
		SHEET	REV	
		2 OF 5	A1	

THIS DRAWING IS UNPUBLISHED. RELEASED FOR PUBLICATION OCT. 2005.
 © COPYRIGHT 2005 BY TYCO ELECTRONICS CORPORATION. ALL RIGHTS RESERVED.

LOC	DIST	REVISIONS		
J	/	P	LTR	DESCRIPTION
				DATE
				DWN
				APVD
		SEE SHEET 1		



M-M
(SIGNAL POSITION)
(SCALE 8:1)



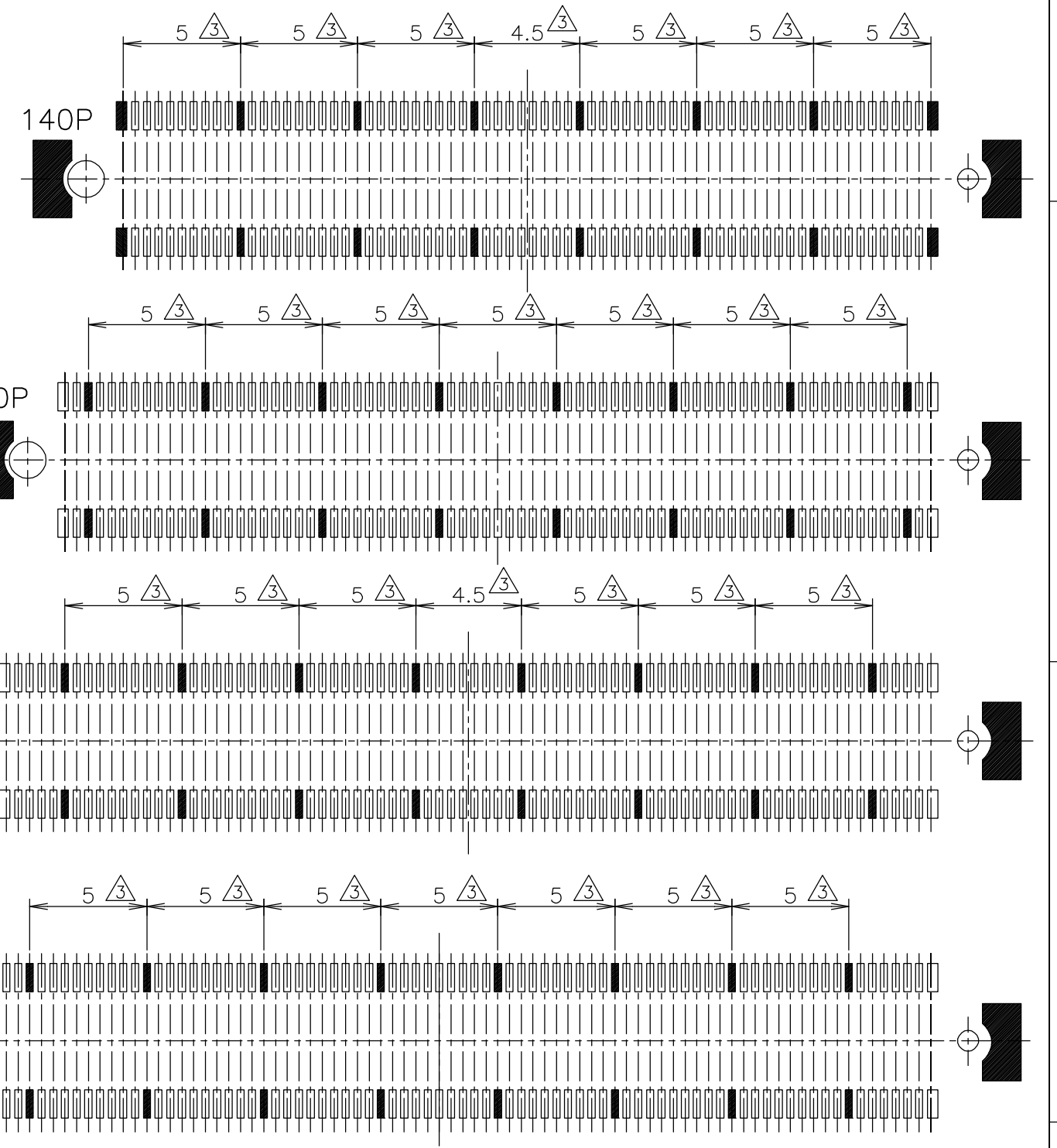
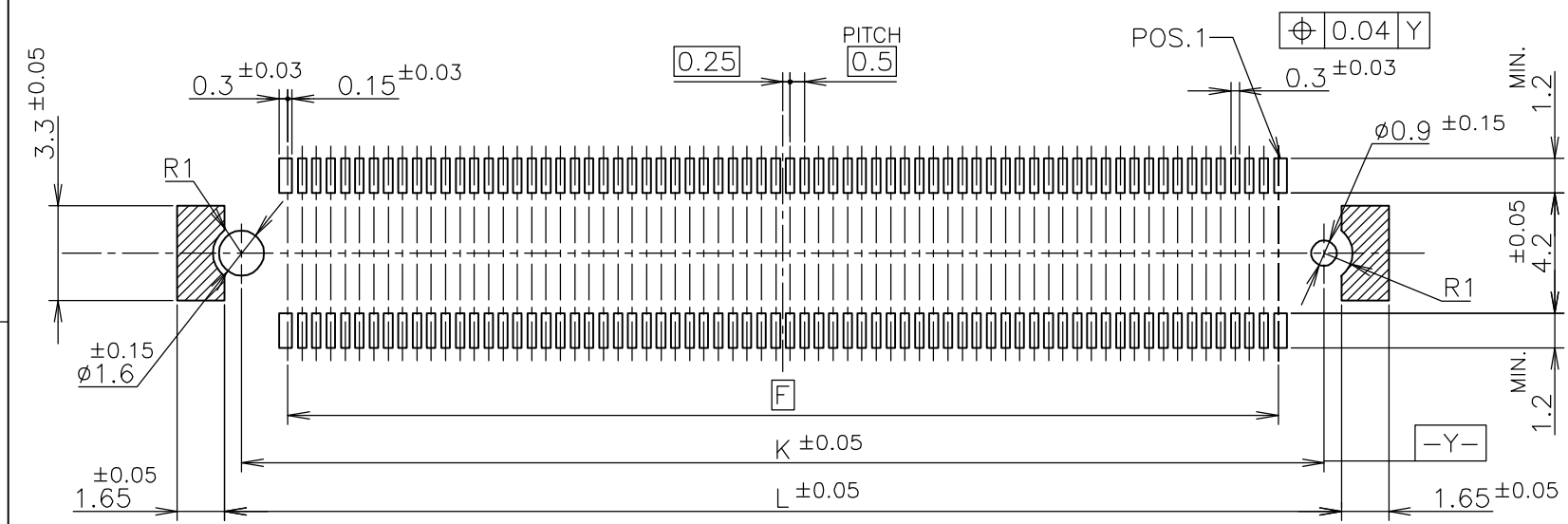
N-N
(GRAND POSITION)
(SCALE 8:1)

64.5	62.7	66.8	62.1	59.5	240
59.5	57.7	61.8	57.1	54.5	220
54.5	52.7	56.8	52.1	49.5	200
49.5	47.7	51.8	47.1	44.5	180
47	45.2	49.3	44.6	42	170
44.5	42.7	46.8	42.1	39.5	160
42	40.2	44.3	39.6	37	150
39.5	37.7	41.8	37.1	34.5	140
34.5	32.7	36.8	32.1	29.5	120
29.5	27.7	31.8	27.1	24.5	100
27	25.2	29.3	24.6	22	90
24.5	22.7	26.8	22.1	19.5	80
22	20.2	24.3	19.6	17	70
19.5	17.7	21.8	17.1	14.5	60
17	15.2	19.3	14.6	12	50
14.5	12.7	16.8	12.1	9.5	40
12	10.2	14.3	9.6	7	30
L	K	H	G	F	POS.

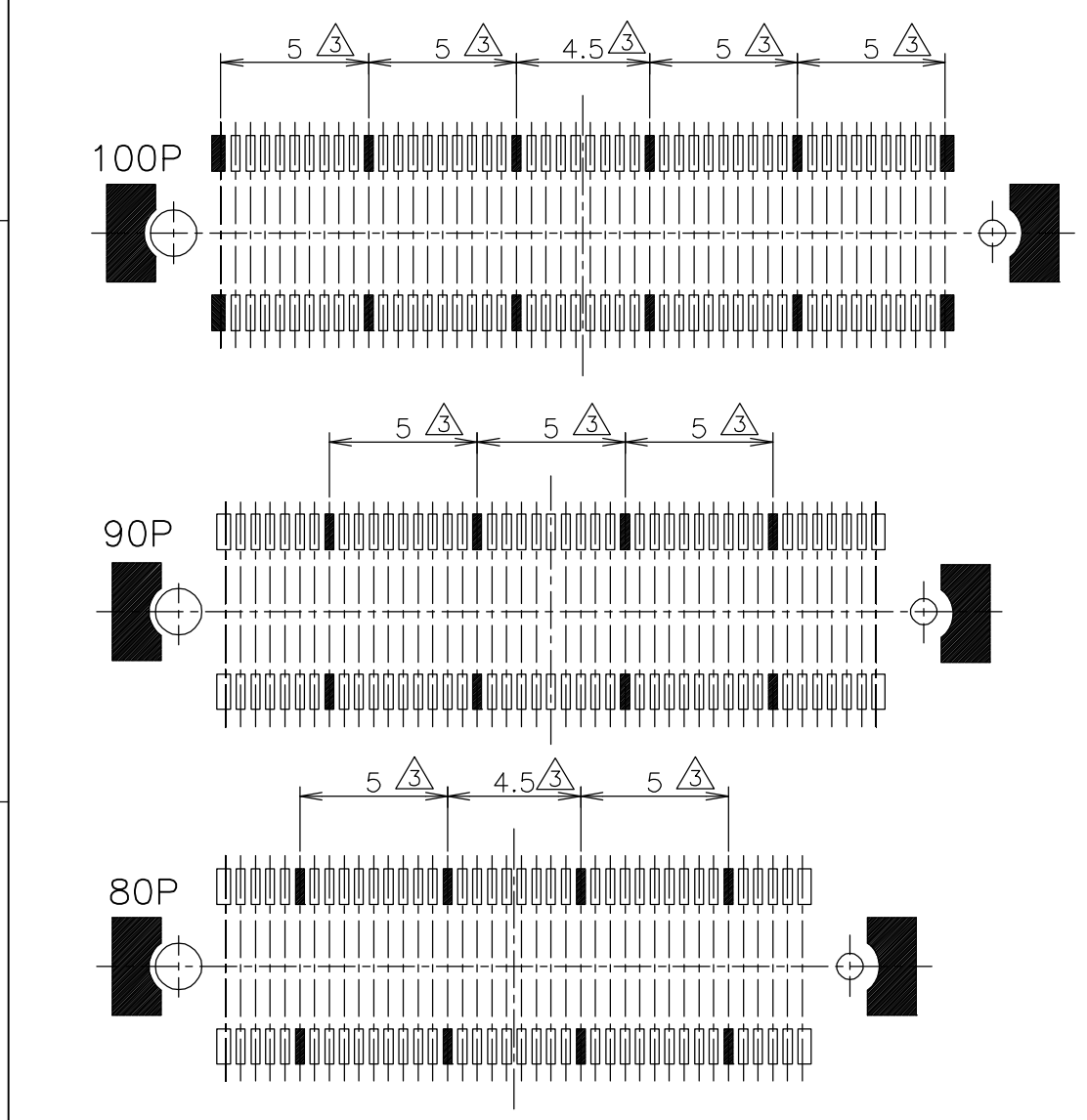
THIS DRAWING IS A CONTROLLED DOCUMENT.		DWN	Tyco Electronics AMP K.K. Kawasaki, Japan		
DIMENSIONS: 単位: 耗 mm		CHK			
TOLERANCES UNLESS OTHERWISE SPECIFIED: 一般公差		APVD	NAME 名称		
0 PLC ±		PRODUCT SPEC 製品規格	SEMI HARD TRAY ASSY		
1 PLC ±		APPLICATION SPEC 取付適用規格	FH 0.5BTB CONNECTOR		
2 PLC ±		WEIGHT	SIZE	CAGE CODE	DRAWING NO 番号
3 PLC ±		CUSTOMER DRAWING	A3	00779	C-6565779
4 PLC ±			SCALE 尺度	4:1	SHEET 3 of 5
ANGLES ±		RESTRICTED TO			
FINISH 仕上		-			

THIS DRAWING IS UNPUBLISHED. RELEASED FOR PUBLICATION OCT., 2005.
 © COPYRIGHT 2005 BY TYCO ELECTRONICS CORPORATION. ALL RIGHTS RESERVED.

LOC	DIST	REVISIONS		
		P	LTR	DESCRIPTION
J	/			SEE SHEET 1



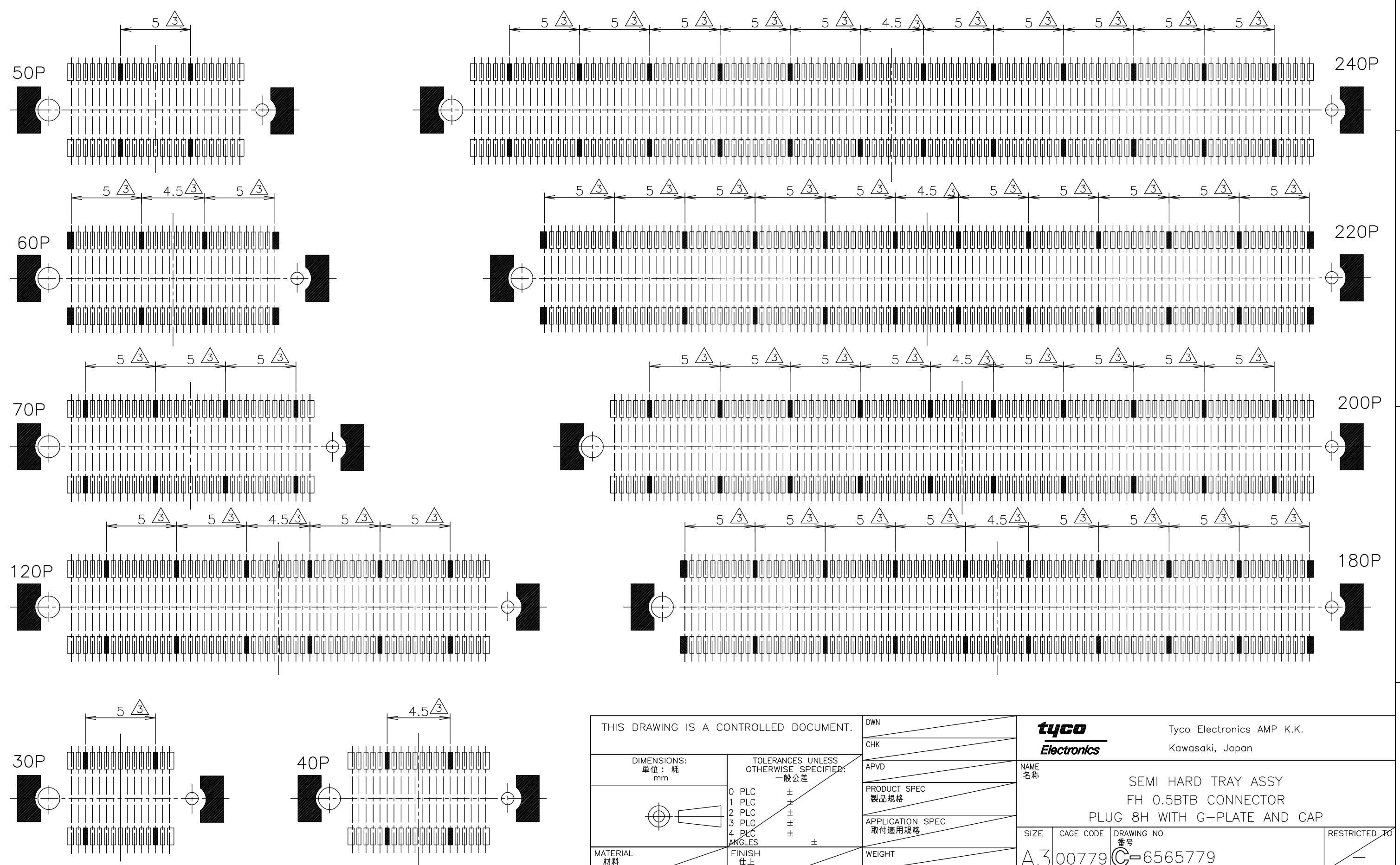
REFERENCE P.C. BOARD LAYOUT



THIS DRAWING IS A CONTROLLED DOCUMENT.		DWN	tyco Tyco Electronics AMP K.K.	
DIMENSIONS: 單位: 耗 mm		CHK	Kawasaki, Japan	
TOLERANCES UNLESS OTHERWISE SPECIFIED: 一般公差		APVD	NAME 名称	
0 PLC ±		PRODUCT SPEC 製品規格	SEMI HARD TRAY ASSY	
1 PLC ±		APPLICATION SPEC 取付適用規格	FH 0.5BTB CONNECTOR	
2 PLC ±		WEIGHT	SIZE	CAGE CODE
3 PLC ±			A3	00779
4 PLC ±			DRAWING NO	RESTRICTED TO
ANGLES ±			G-6565779	
FINISH 仕上		CUSTOMER DRAWING		SCALE 尺度 4:1
				SHEET 4 OF 5
				REV A1

THIS DRAWING IS UNPUBLISHED. RELEASED FOR PUBLICATION OCT. 2005.
 © COPYRIGHT 2005 BY TYCO ELECTRONICS CORPORATION. ALL RIGHTS RESERVED.

LOC J	DIST /	REVISIONS 変更			DATE	DWN	APVD
P	LTR	DESCRIPTION					
		SEE SHEET 1			-	-	-



THIS DRAWING IS A CONTROLLED DOCUMENT.		DWN	tyco Electronics		Tyco Electronics AMP K.K. Kawasaki, Japan	
DIMENSIONS: 単位: 耗 mm		CHK			NAME 名称	
TOLERANCES UNLESS OTHERWISE SPECIFIED: 一般公差		APVD	SEMI HARD TRAY ASSY FH 0.5BTB CONNECTOR PLUG 8H WITH G-PLATE AND CAP			
0 PLC ±		PRODUCT SPEC 製品規格	SIZE	CAGE CODE	DRAWING NO 番号	RESTRICTED TO
1 PLC ±		APPLICATION SPEC 取付適用規格	A3	00779	G-6565779	-
2 PLC ±		WEIGHT	CUSTOMER DRAWING		SCALE 尺度 4:1	SHEET 5 of 5
3 PLC ±					REV A1	
4 PLC ±						
ANGLES ±						
FINISH 仕上						
MATERIAL 材料						