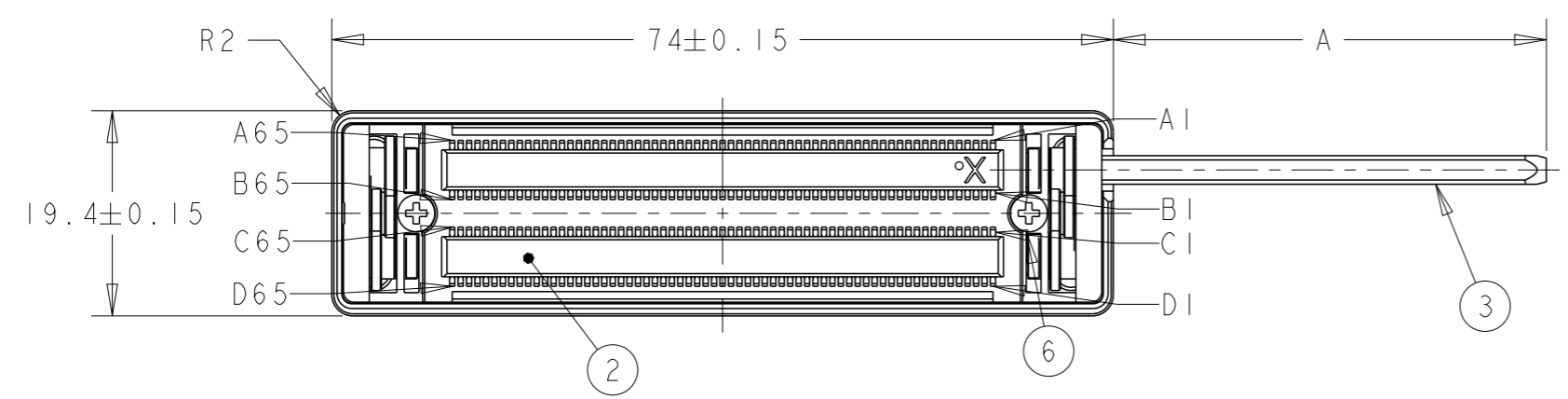
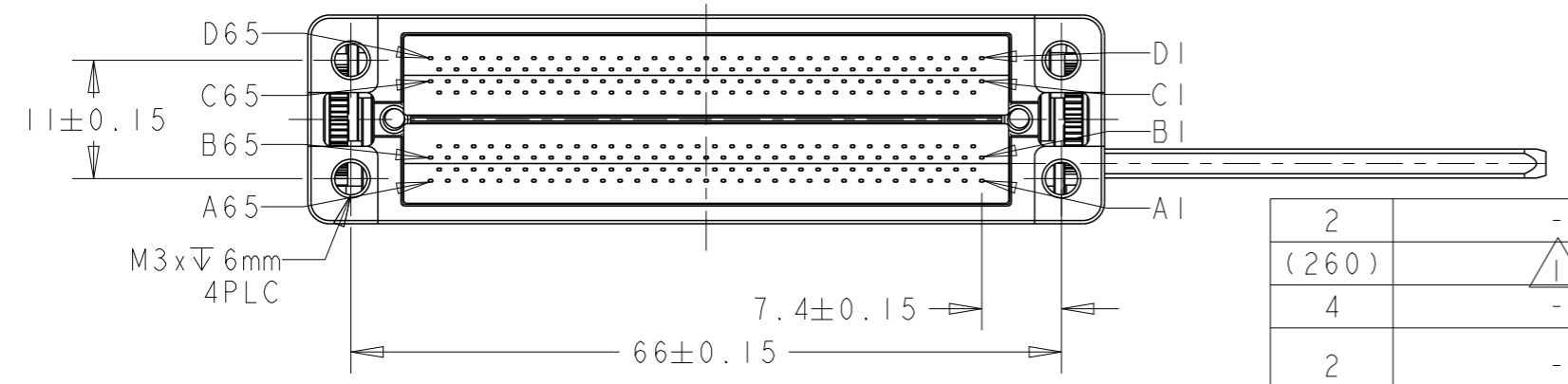
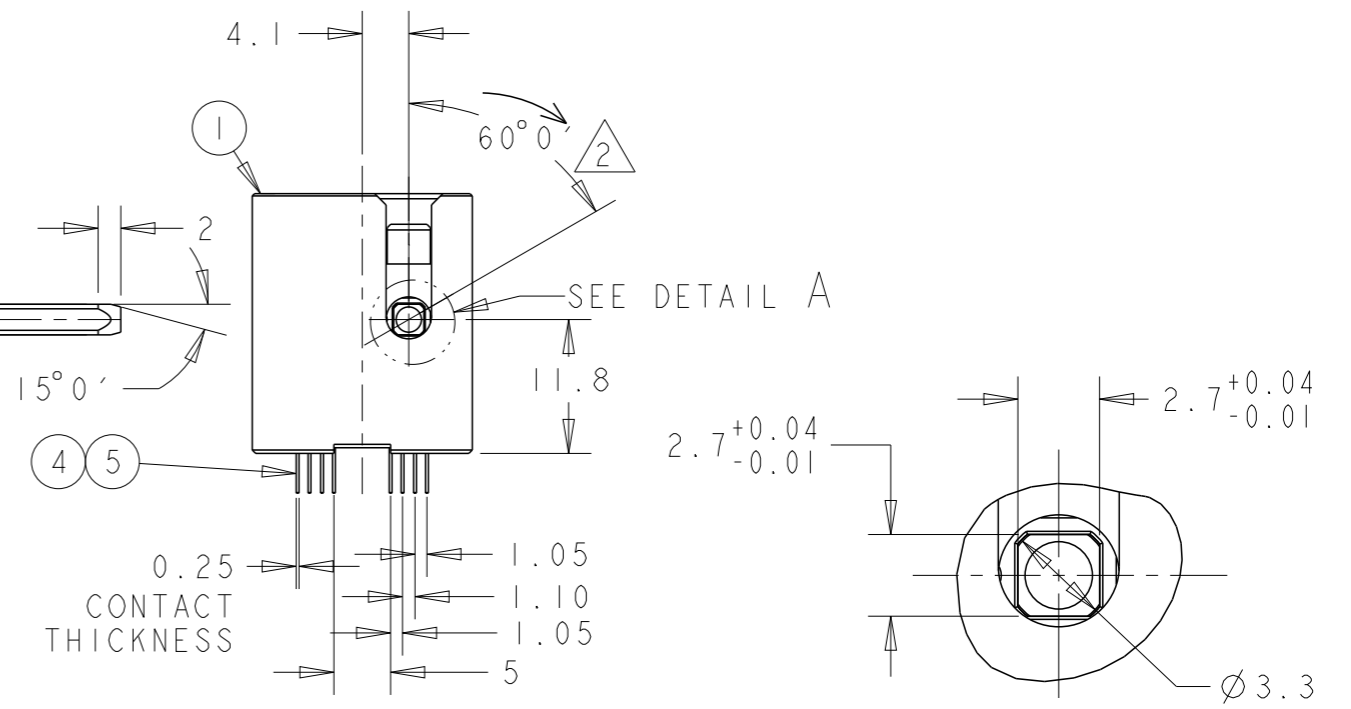
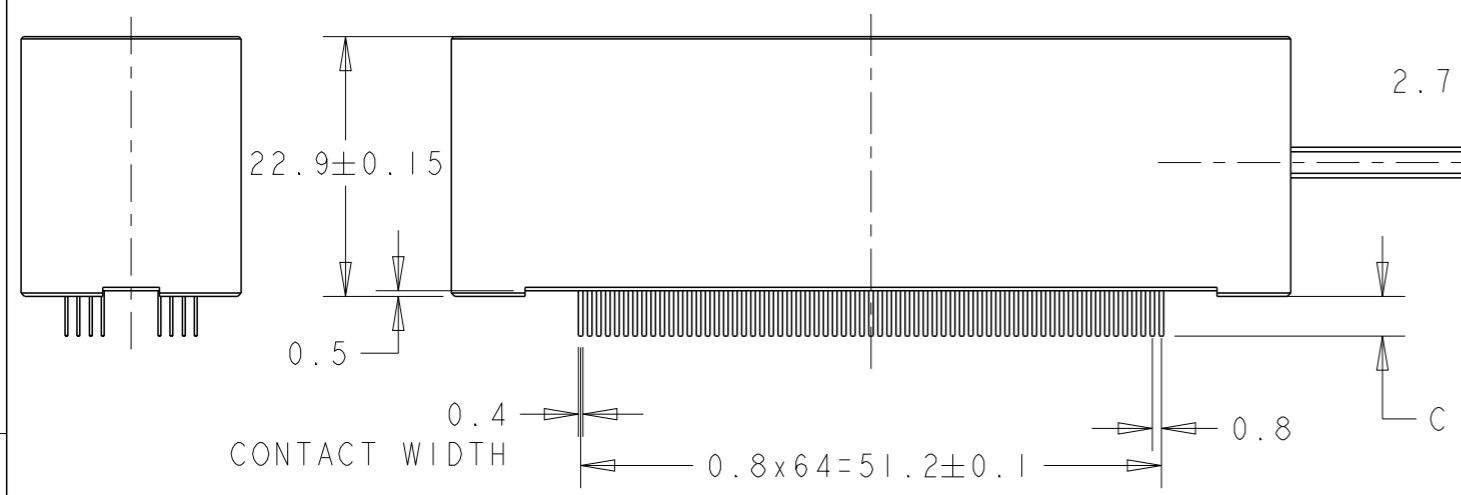


THIS DRAWING IS UNPUBLISHED. RELEASED FOR PUBLICATION 2007  
 © COPYRIGHT 2007-2013 ALL RIGHTS RESERVED.

LOC	DIST	REVISIONS			
P	LTR	DESCRIPTION	DATE	DWN	APVD
J	-	E	REVISED	11DEC2012	T.K M.K
		F	REVISED	10JUN2013	T.K M.K
		G	REVISED	18MAR2015	T.K M.K



RoHS COMPLIANT



QTY	FINISH	MATERIAL	NAME	ITEM NO
2	-	STAINLESS STEEL	SCOTCH-GRIP 2510	6
(260)	⚠	COPPER ALLOY	CONTACT	5
4	-	LCP	INSERT MOLD, CONTACT	4
2	-	SUS 304 AND PLASTIC (COLOR BLACK)	ACTUATOR ASSY	3
1	-	LCP	COVER HOUSING, REC	2
1	Ni PLT. 2.5~5μm	ZINC DIECAST	BASE HOUSING, REC	1

DIMENSION "C"	DIMENSION "A"	PART NUMBER
2.8±0.2	41	6565204-9
3.1±0.25	41	6565204-8
3.5±0.4	20	6565204-6
2.5±0.25	20	6565204-5
2.5±0.25	26.82±0.2	6565204-4
2.5±0.25	41	6565204-3
3.5±0.4	41	6565204-1

THIS DRAWING IS A CONTROLLED DOCUMENT.

DIMENSIONS: mm

TOLERANCES UNLESS OTHERWISE SPECIFIED:

0 PLC	±0.3
1 PLC	±0.25
2 PLC	±0.2
3 PLC	±
4 PLC	±
ANGLES	±3
FINISH	⚠

MATERIAL SEE TABLE

TE Connectivity

REC ASSEMBLY  
TC-ZIF CONNECTOR  
0.8mm PITCH 260P

NAME: 108-5771

APPLICATION SPEC: 114-5505

WEIGHT: 85g

SIZE: A3

CAGE CODE: C-6565204

RESTRICTED TO: -

CUSTOMER DRAWING

SCALE: 3:2

SHEET 1 OF 2

REV G

LOC  
J

DIST  
-

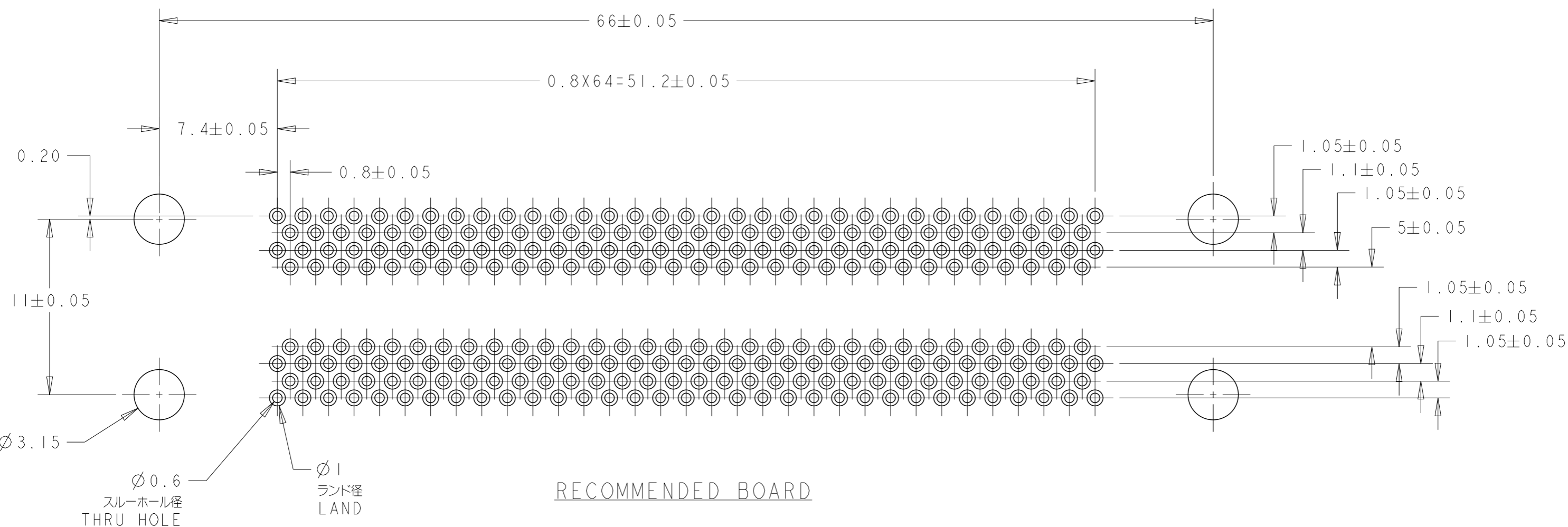
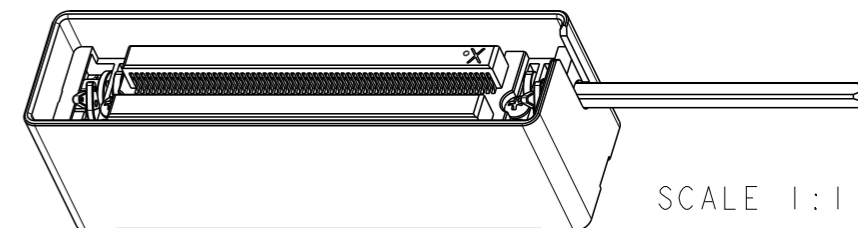
REVISIONS


P	LTR	DESCRIPTION	DATE	DWN	APVD
-	-	SEE SHEET 1	-	-	-

1 MATING AREA: 1μmMIN GOLD PLATING  
OVER 2.5μmMIN NICKEL  
SOLDERING AREA: GOLD FLASH  
OVER 2.5μmMIN NICKEL  
OTHERS: 2.5μmMIN NICKEL

2 BY ROTATING 60±5 DEGREES OF SHAFT CLOCKWISE,  
CONNECTOR IS MATED WITH HDR.  
CONTACT ENGAGEMENT : 15±5DEG.

3. PIN ASSIGNMENTS AS A REFERENCE



THIS DRAWING IS A CONTROLLED DOCUMENT.		DWN T.Kanno	5MAR2007	 TE Connectivity NAME REC ASSEMBLY TC-ZIF CONNECTOR 0.8mm PITCH 260P	
DIMENSIONS: mm		CHK M.Kimura	5MAR2007		
TOLERANCES UNLESS OTHERWISE SPECIFIED:		APVD M.Kimura	5MAR2007		
0 PLC ±0.2 1 PLC ±0.15 2 PLC ±0.1 3 PLC ± 4 PLC ± ANGLES ±3		PRODUCT SPEC 108-5771	APPLICATION SPEC 114-5505		
MATERIAL -	FINISH -	WEIGHT -	CUSTOMER DRAWING	SIZE A3	CAGE CODE G-6565204
				RESTRICTED TO -	SCALE 3:2
				SHEET 2	OF 2
				REV G	