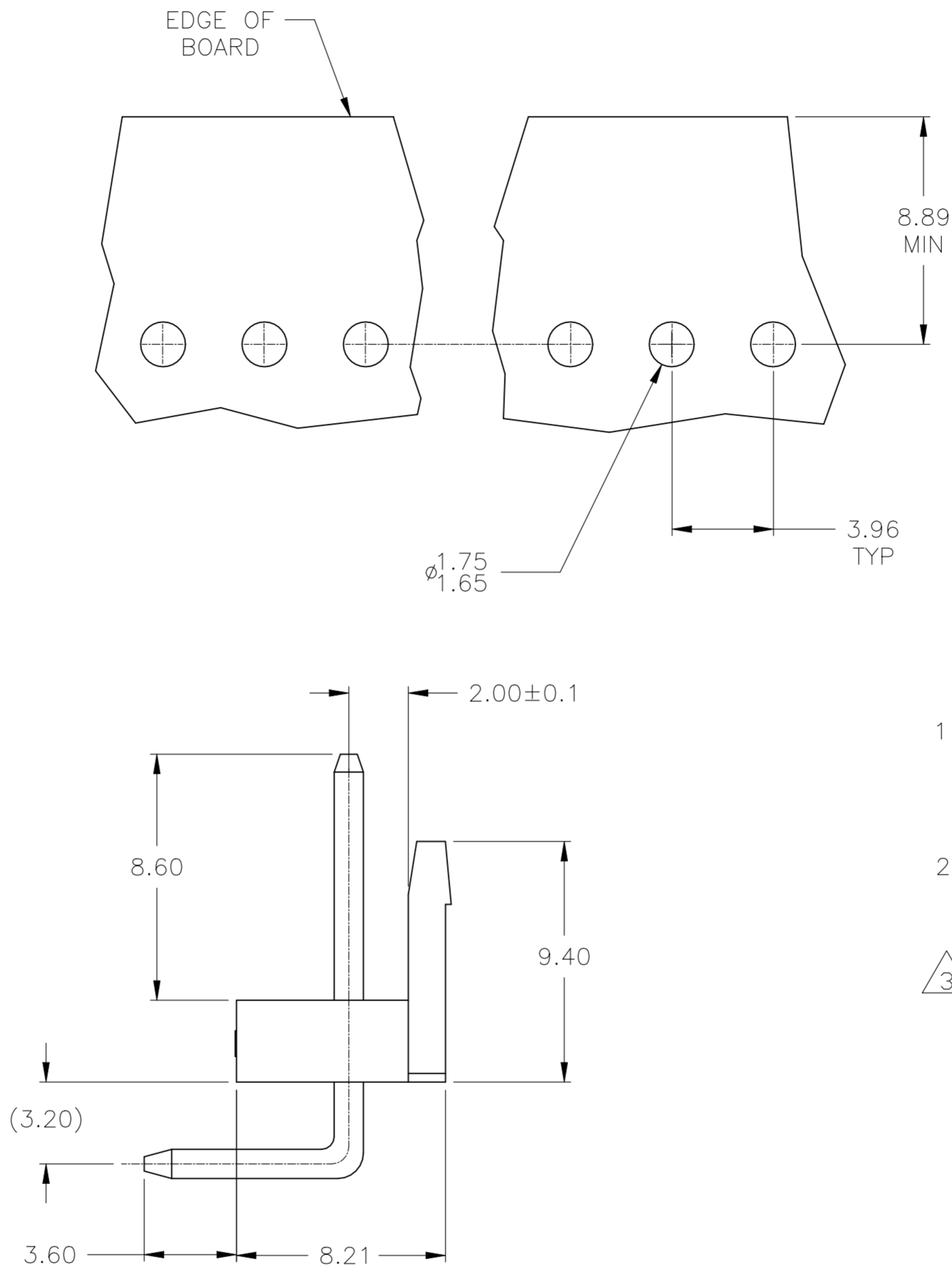
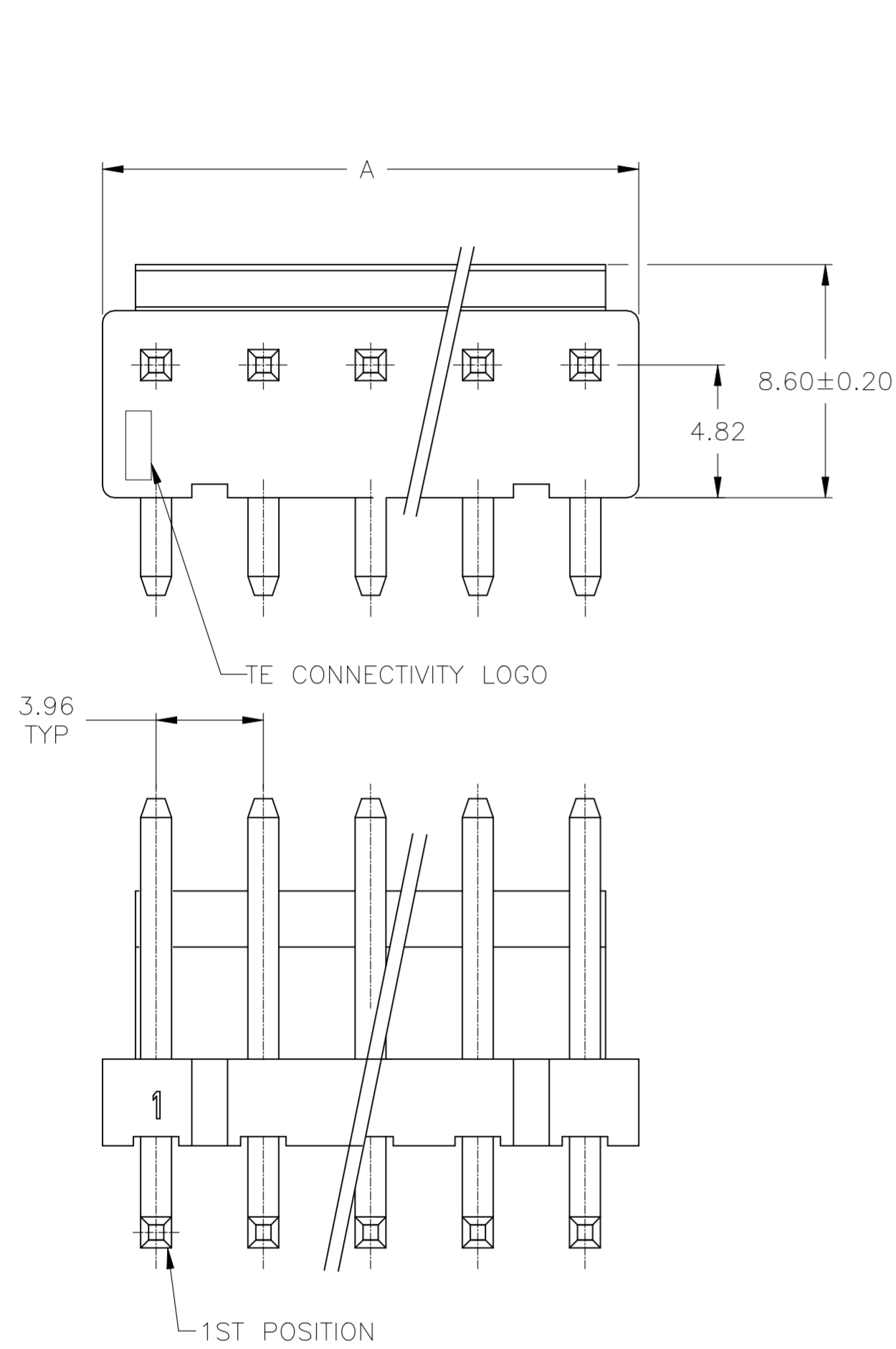


REVISIONS				
P	LTR	DESCRIPTION	DATE	APVD
C		REVISED PER ECR-23-165705	18AUG2023	WH LC



- 1 MATERIAL :
HOUSING : THERMOPLASTIC Nylon66UL94V-0.
WHITE COLOR.
CONTACT : BRASS.
- 2 FINISH:
CONTACT : 80u" MIN. TIN PLATED ON
CONTACT AREA.
- 3 PRELIMINARY PART - NOT RELEASED FOR PRODUCTION

3	2	23.76	6	1-647676-6
-	-	47.52	12	1-647676-2
-	-	43.56	11	1-647676-1
-	-	39.60	10	1-647676-0
-	-	35.64	9	647676-9
-	-	31.68	8	647676-8
-	-	27.72	7	647676-7
-	-	23.76	6	647676-6
-	-	19.80	5	647676-5
-	-	15.84	4	647676-4
-	-	11.88	3	647676-3
-	-	7.92	2	647676-2

OMIT PIN DIM. A CIRCUITS PART NUMBER

THIS DRAWING IS A CONTROLLED DOCUMENT.		DWN K. WHITAKER 22JUL04	TE TE Connectivity	
DIMENSIONS: mm		CHK D. BOSSI 22JUL04		
TOLERANCES UNLESS OTHERWISE SPECIFIED:		APVD D. BOSSI 22JUL04	NAME ASSEMBLY, EP HEADER, RIGHT ANGLE	
0 PLC ± 0.3		PRODUCT SPEC 108-5609	SIZE A2	CAGE CODE 00779
1 PLC ± 0.25		APPLICATION SPEC 114-5253	DRAWING NO C-647676	RESTRICTED TO -
2 PLC ± 0.12		MATERIAL -	SCALE N/A	SHEET 1 of 1
3 PLC ± 0.05		FINISH -	CUSTOMER DRAWING	REV C
4 PLC ± -				
ANGLES ± 30'				