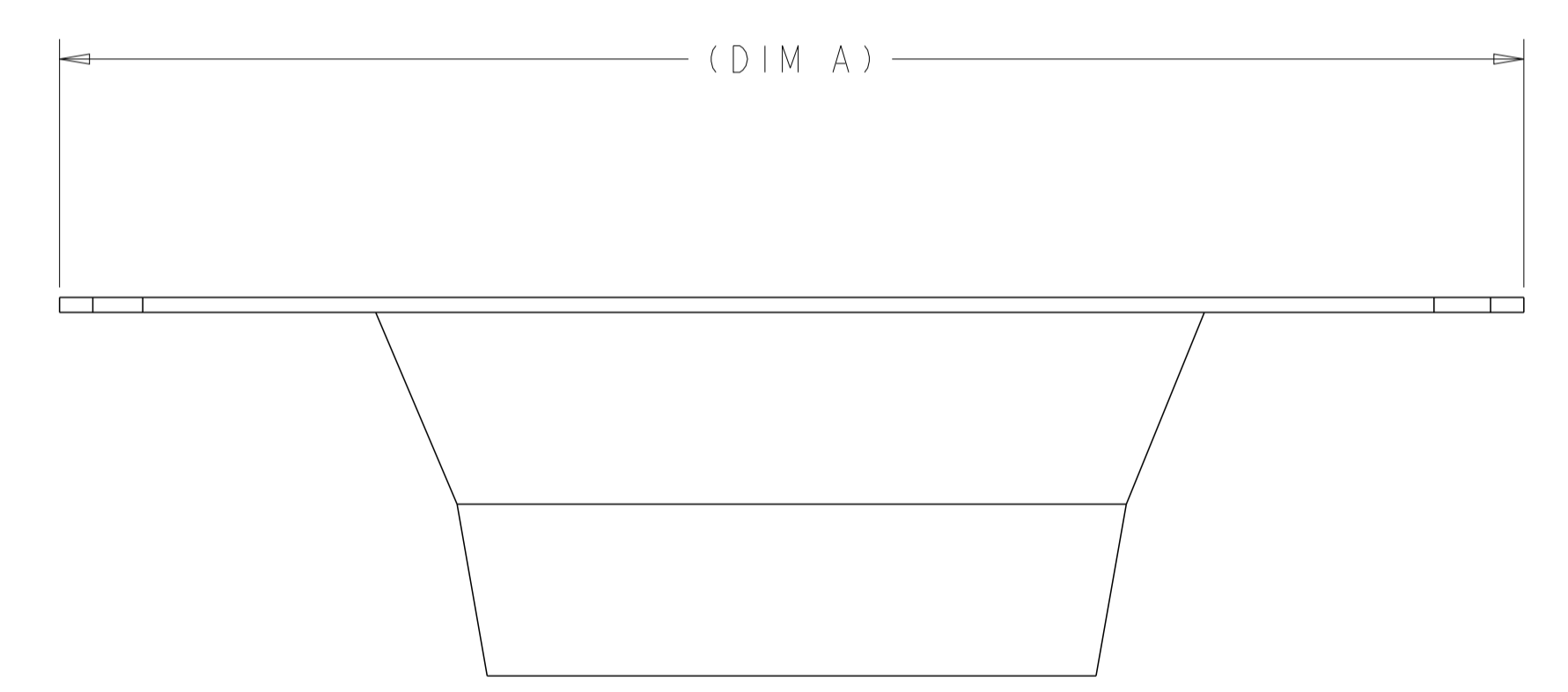
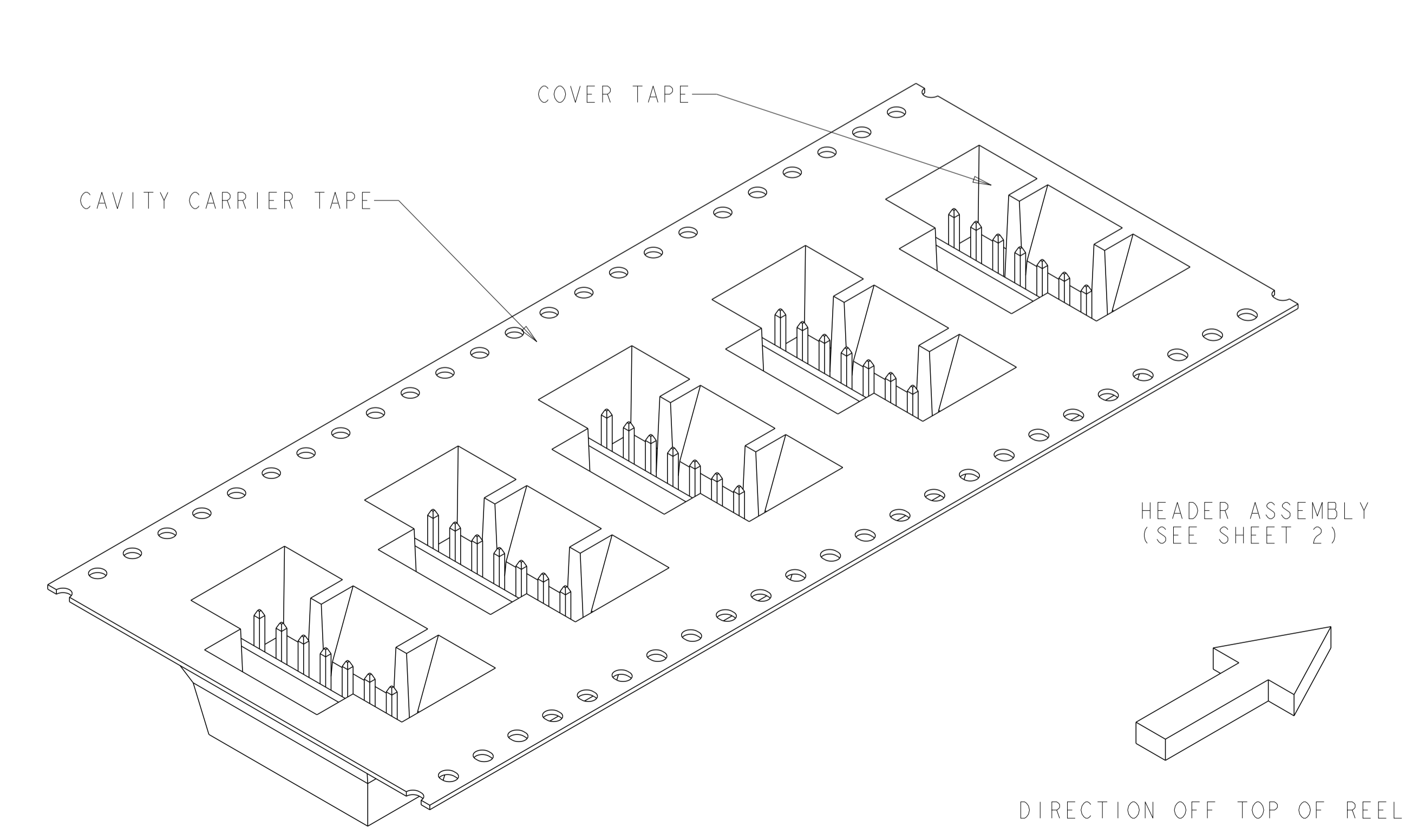
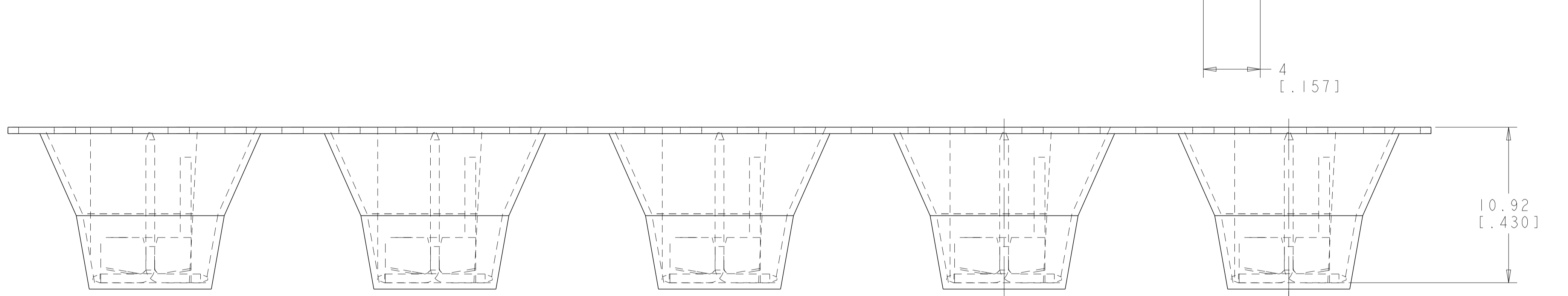
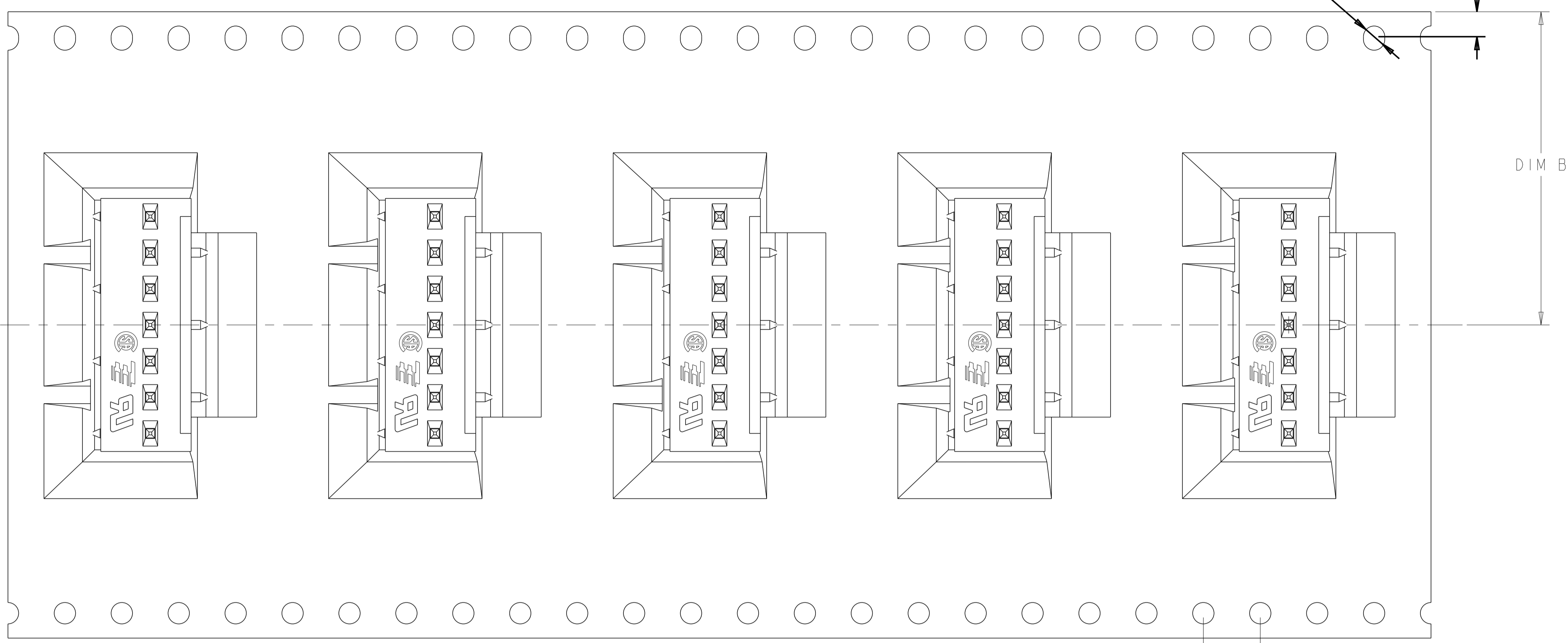


REVISIONS				
P.	LTN.	DESCRIPTION	DATE	DMN. APVD.
A1		REVISED PER ECR-23-181719	06AUG2024	MV JP

$\varnothing 1.5 \pm 0.1$   
 $[.059 \pm .004]$   
 TYP

1.75  
 $[.069]$

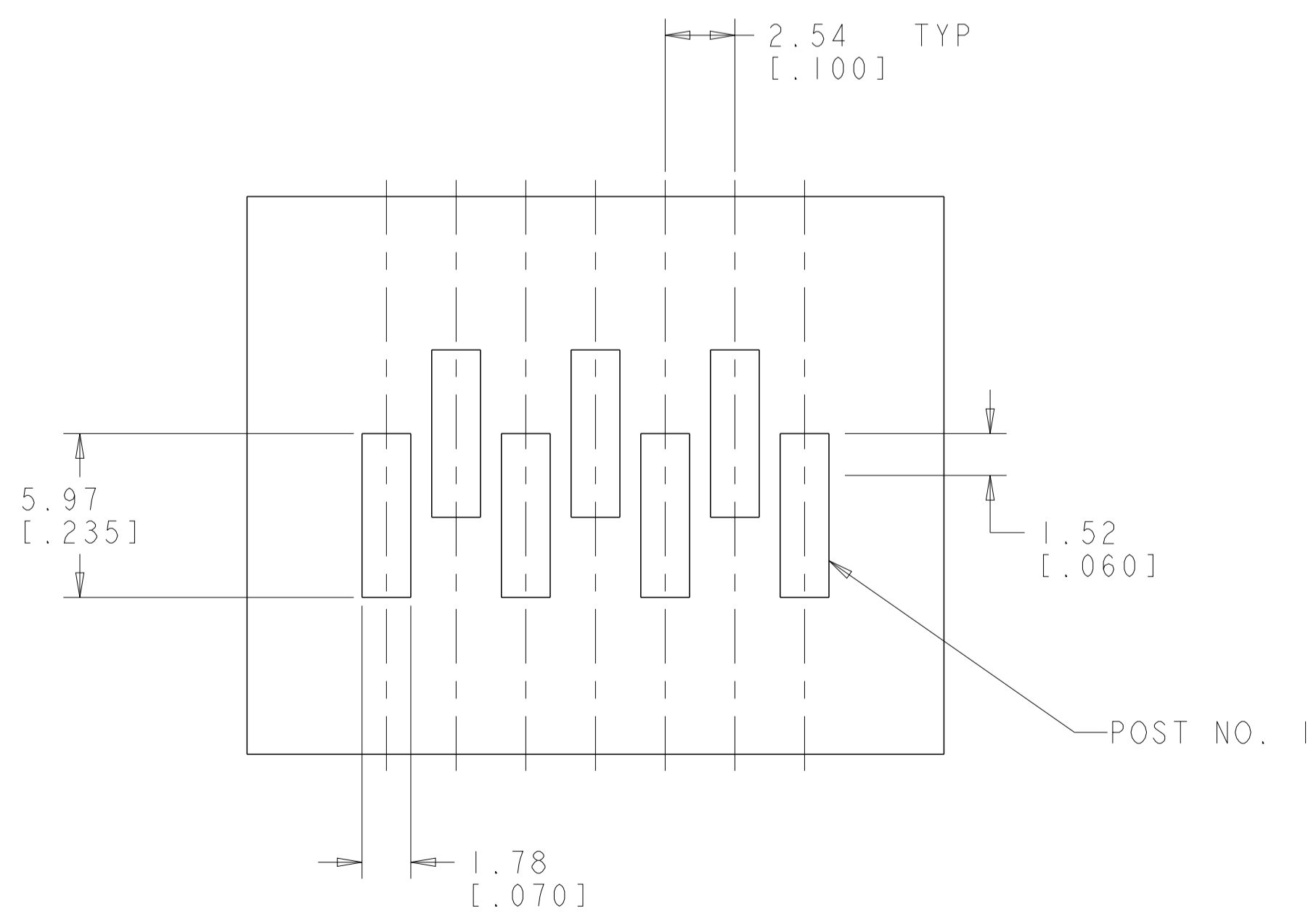
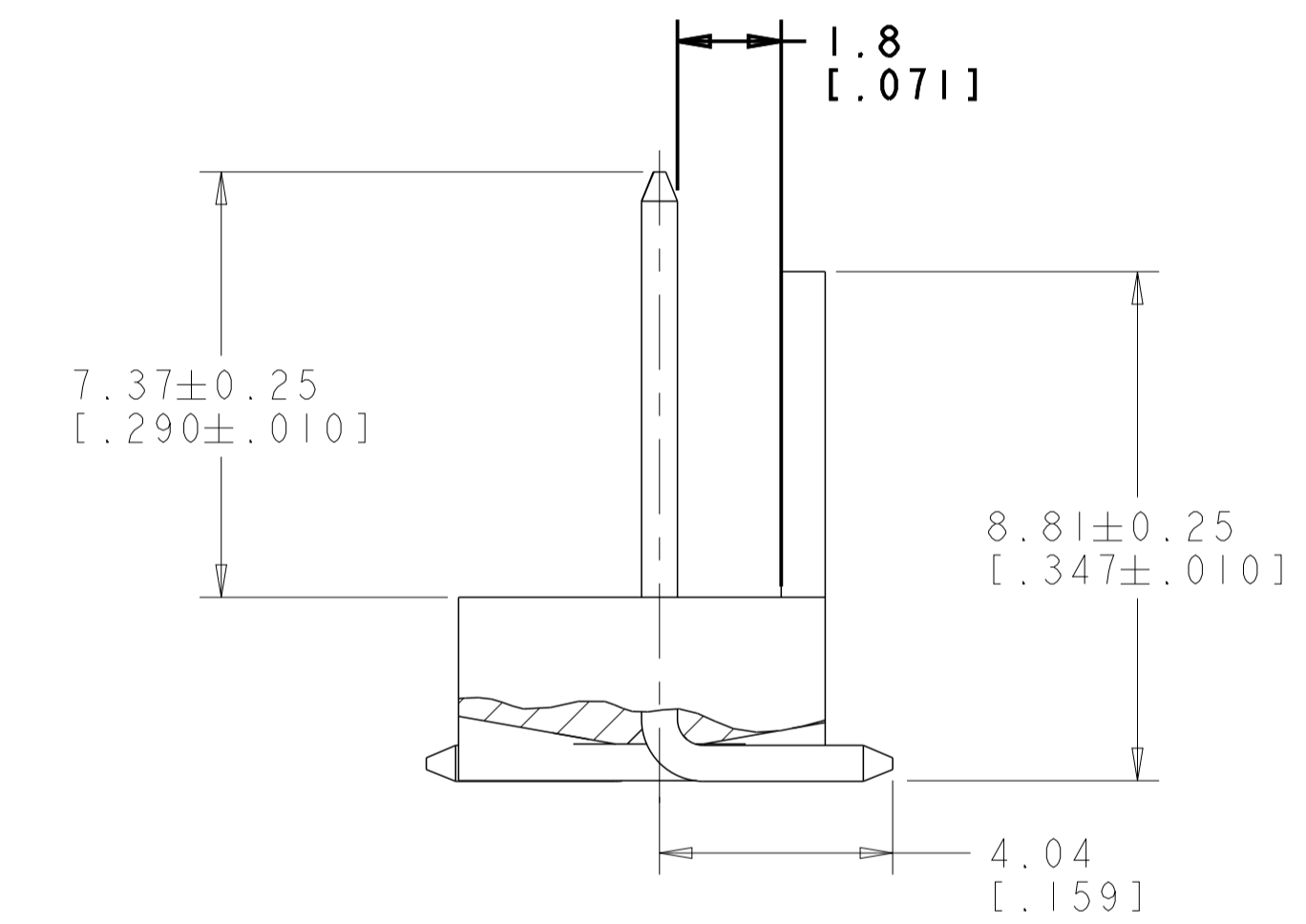
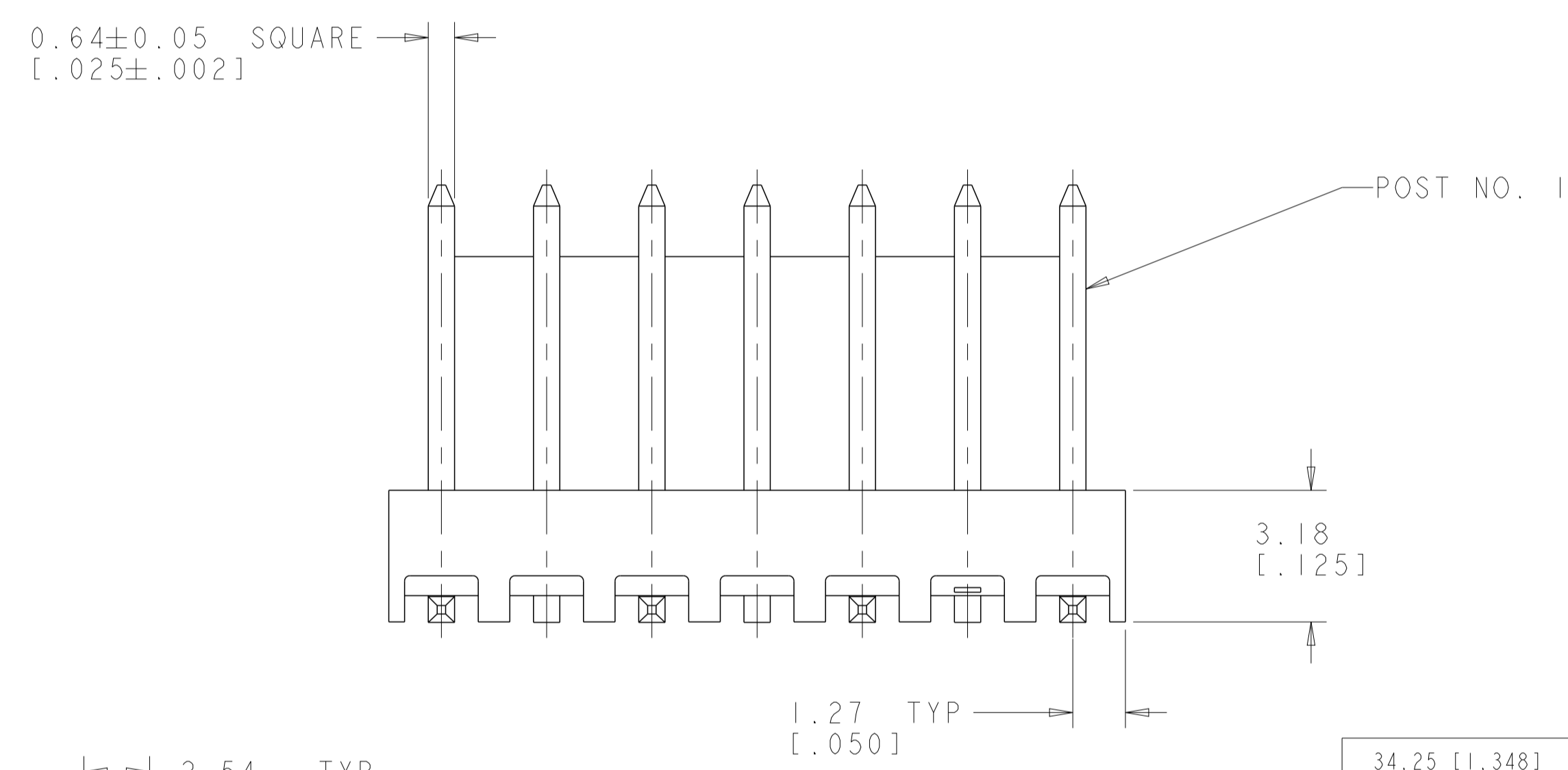
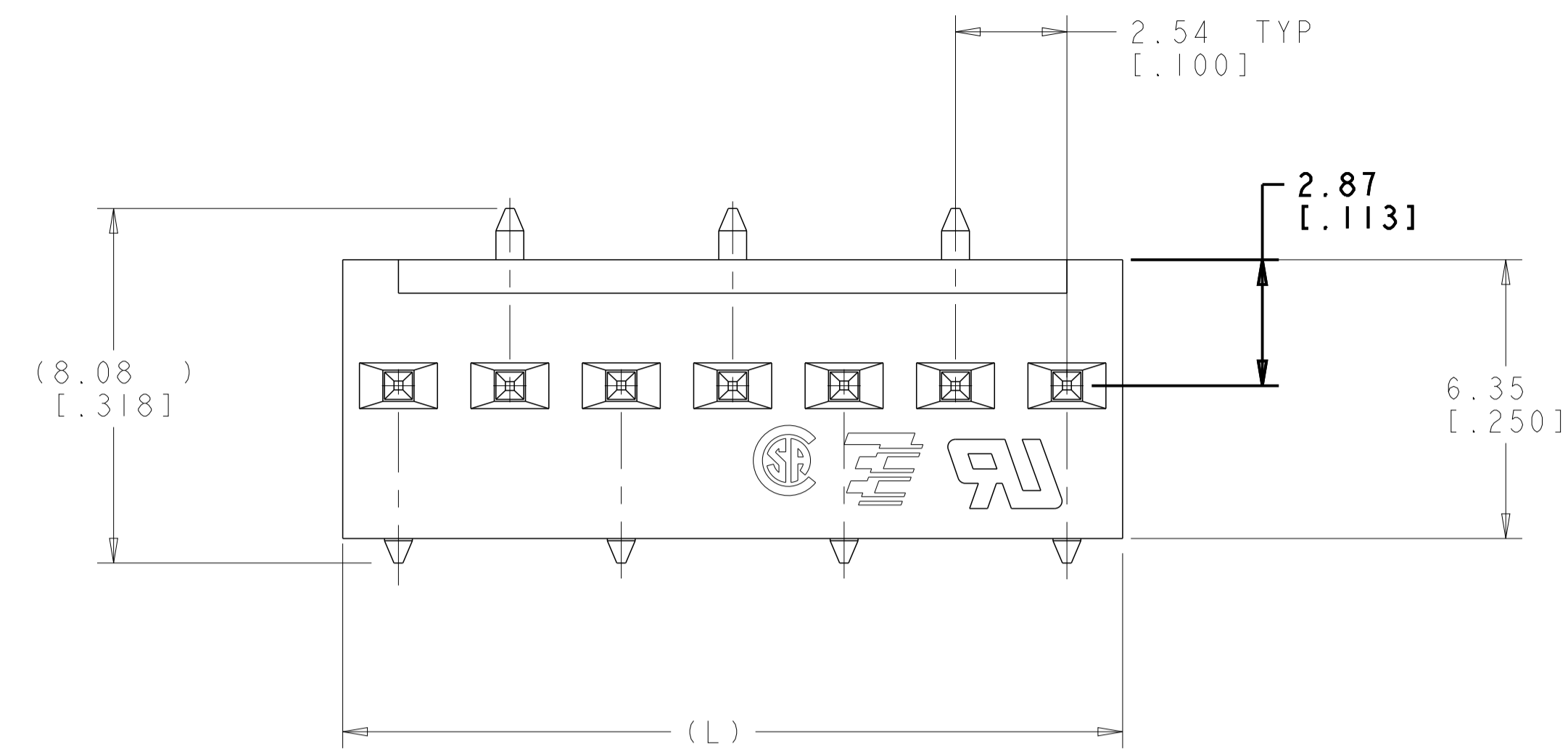
- MATERIAL:**  
 HEADER: 2-12 POSITION: 4/6 NYLON, HIGH TEMP, UL94V-0  
 13-18 POSITION: LIQUID CRYSTAL POLYMER THERMOPLASTIC POLYESTER UL 94V-0.  
 POST: COPPER ALLOY  
 CAVITY CARRIER TAPE: BLACK CONDUCTIVE POLYCARBONATE  
 COVER TAPE: POLYESTER FILM TAPE.
- FINISH:**  
 HOUSING: COLOR, BLACK  
 POST: TIN PLATED.
- POSTS SOLDER TAILS MUST COMPLY WITH AMP SOLDERABILITY SPEC 109-11-12.
  - DIMENSIONS APPLY TO THE COMPONENT SIDE OF BOARD.
  - MAXIMUM TEMPERATURE EXPOSURE DURING REFLOW SOLDERING NOT TO EXCEED 235°C [455°F] FOR LCP, 260°C [500°F] FOR 4/6 NYLON
  - HEADERS ARE SUPPLIED ON A 330.2mm [13 INCH] DIAMETER REEL, WITH 225 PARTS PER REEL. THE CAVITY CARRIER TAPE HOLDS 1 PART PER POCKET, ORIENTED AS SHOWN.
- PRELIMINARY-NOT FOR PRODUCTION.



647531-7 SHOWN

THIS DRAWING IS A CONTROLLED DOCUMENT.		DMN: R. WHITAKER 11JAN2006	TE Connectivity
DIMENSIONS: mm		CHK: D. BOSSI 11JAN2006	
TOLERANCES UNLESS OTHERWISE SPECIFIED:		APVD: D. BOSSI 11JAN2006	NAME: MTA-100 HDR ASSY, SURFACE MOUNT, POLARIZED, .025 SQ STRAIGHT POST, TIN PLATED, CARRIER TAPE LOADED
0 PLC ±		PRODUCT SPEC: 108-1050	
2 PLC ±0.25 [.010]		APPLICATION SPEC: 114-1019	SIZE: CAGE CODE: DRAWING NO: A100779C=647531
3 PLC ±0.13 [.005]		WEIGHT: -	
4 PLC ±		CUSTOMER DRAWING	RESTRICTED TO
ANGLES: 40° 30'		SCALE: 5:1	SHEET 1 OF 2
FINISH: 2		REV: A1	

REVISIONS				
P.	LTN.	DESCRIPTION	DATE	APVD.
		SEE SHEET 1		



34.25 [1.348]	72.00 [2.835]	45.72 [1.800]	18	74-647531-8	34.25 [1.348]	72.00 [2.835]	45.72 [1.800]	18	74-647531-8
34.25 [1.348]	72.00 [2.835]	43.18 [1.700]	17	74-647531-7	34.25 [1.348]	72.00 [2.835]	43.18 [1.700]	17	74-647531-7
34.25 [1.348]	72.00 [2.835]	40.64 [1.600]	16	74-647531-6	34.25 [1.348]	72.00 [2.835]	40.64 [1.600]	16	74-647531-6
34.25 [1.348]	72.00 [2.835]	38.10 [1.500]	15	74-647531-5	34.25 [1.348]	72.00 [2.835]	38.10 [1.500]	15	74-647531-5
26.20 [1.031]	56.00 [2.205]	35.56 [1.400]	14	74-647531-4	26.20 [1.031]	56.00 [2.205]	35.56 [1.400]	14	74-647531-4
26.20 [1.031]	56.00 [2.205]	33.02 [1.300]	13	74-647531-3	26.20 [1.031]	56.00 [2.205]	33.02 [1.300]	13	74-647531-3
26.20 [1.031]	56.00 [2.205]	30.48 [1.200]	12	74-647531-2	26.20 [1.031]	56.00 [2.205]	30.48 [1.200]	12	74-647531-2
26.20 [1.031]	56.00 [2.205]	27.94 [1.100]	11	74-647531-1	26.20 [1.031]	56.00 [2.205]	27.94 [1.100]	11	74-647531-1
20.20 [0.795]	44.00 [1.732]	25.40 [1.00]	10	74-647531-0	20.20 [0.795]	44.00 [1.732]	25.40 [1.00]	10	74-647531-0
20.20 [0.795]	44.00 [1.732]	22.86 [0.900]	9	73-647531-9	20.20 [0.795]	44.00 [1.732]	22.86 [0.900]	9	74-647531-9
20.20 [0.795]	44.00 [1.732]	20.32 [0.800]	8	73-647531-8	20.20 [0.795]	44.00 [1.732]	20.32 [0.800]	8	74-647531-8
20.20 [0.795]	44.00 [1.732]	17.78 [0.700]	7	73-647531-7	20.20 [0.795]	44.00 [1.732]	17.78 [0.700]	7	74-647531-7
14.20 [0.559]	32.00 [1.260]	15.24 [0.600]	6	73-647531-6	14.20 [0.559]	32.00 [1.260]	15.24 [0.600]	6	74-647531-6
14.20 [0.559]	32.00 [1.260]	12.70 [0.500]	5	73-647531-5	14.20 [0.559]	32.00 [1.260]	12.70 [0.500]	5	74-647531-5
14.20 [0.559]	32.00 [1.260]	10.16 [0.400]	4	3-647531-4	14.20 [0.559]	32.00 [1.260]	10.16 [0.400]	4	74-647531-4
14.20 [0.559]	32.00 [1.260]	7.62 [0.300]	3	73-647531-3	14.20 [0.559]	32.00 [1.260]	7.62 [0.300]	3	74-647531-3
11.50 [0.453]	24.00 [0.945]	5.08 [0.200]	2	73-647531-2	11.50 [0.453]	24.00 [0.945]	5.08 [0.200]	2	74-647531-2
DIM B	DIM A	DIM L	NO. OF POSN	PART NUMBER	DIM B	DIM A	DIM L	NO. OF POSN	PART NUMBER

OBSOLETE

RECOMMENDED P.C. BOARD LAYOUT  
 FOR USE WITH 0.25 [0.010] THICK STENCIL  
 SCALE 5:1

THIS DRAWING IS A CONTROLLED DOCUMENT. DWN: P. WHITAKER 11JAN2006  
 CHK: D. BOSSI 11JAN2006  
 APVD: D. BOSSI 11JAN2006

**STE** TE Connectivity

NAME: MTA-100 HDR ASSY, SURFACE MOUNT, POLARIZED, .025 SQ STRAIGHT POST, TIN PLATED, CARRIER TAPE LOADED  
 PRODUCT SPEC: 108-1050  
 APPLICATION SPEC: 114-1019  
 SIZE: 114-1019  
 WEIGHT: -  
 MATERIAL: 1  
 FINISH: 2

CUSTOMER DRAWING SCALE: 5:1 SHEET: 2 OF 2 REV: A1