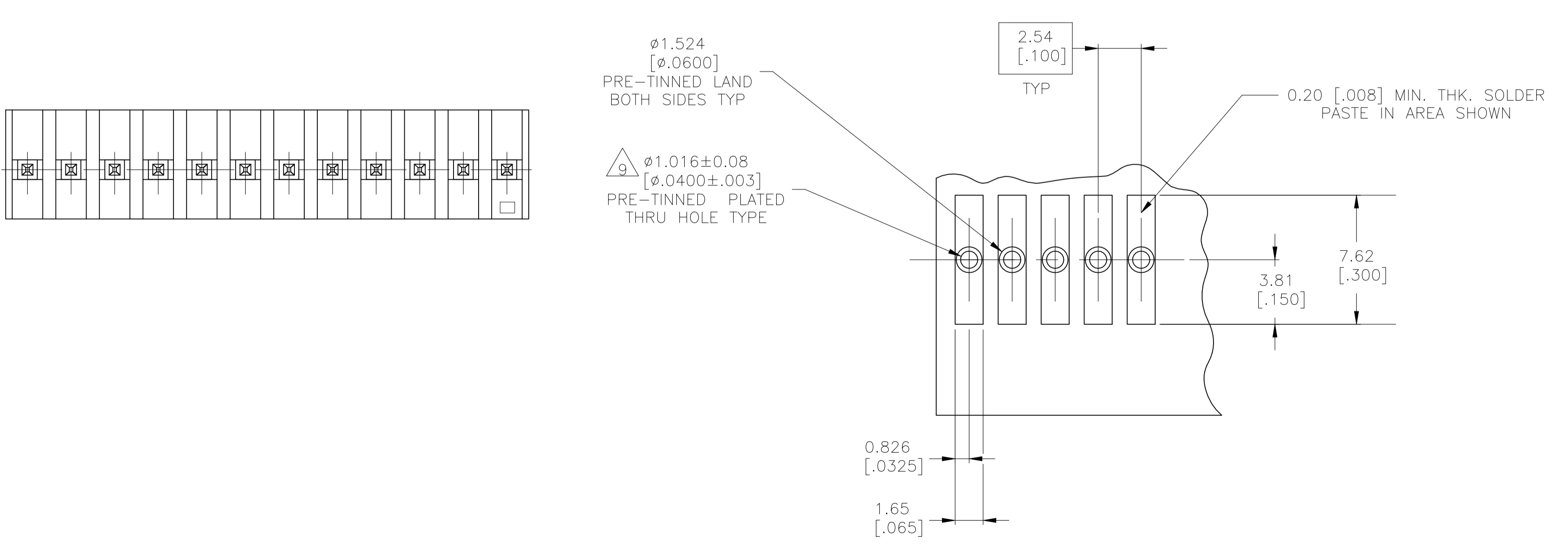
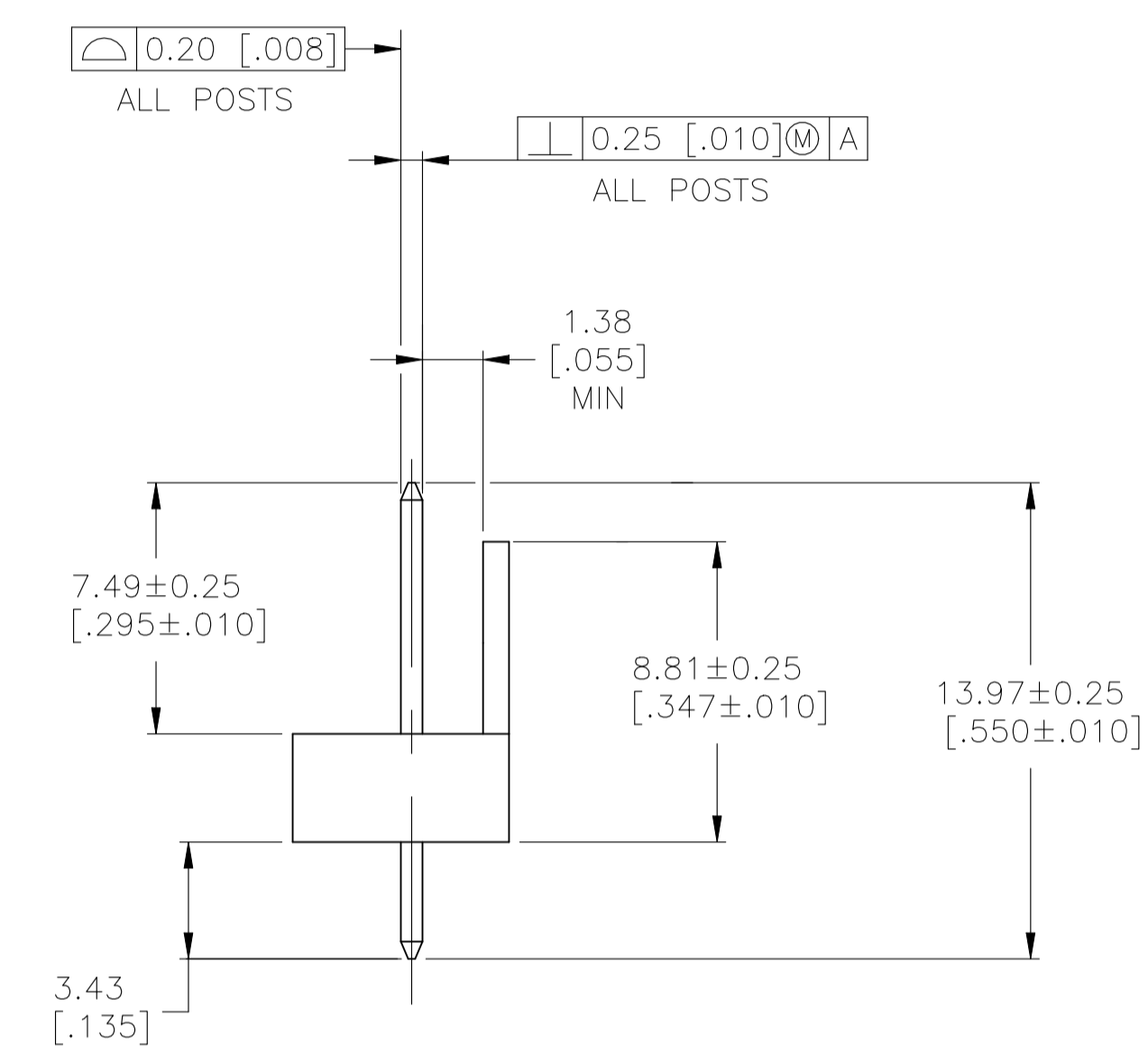
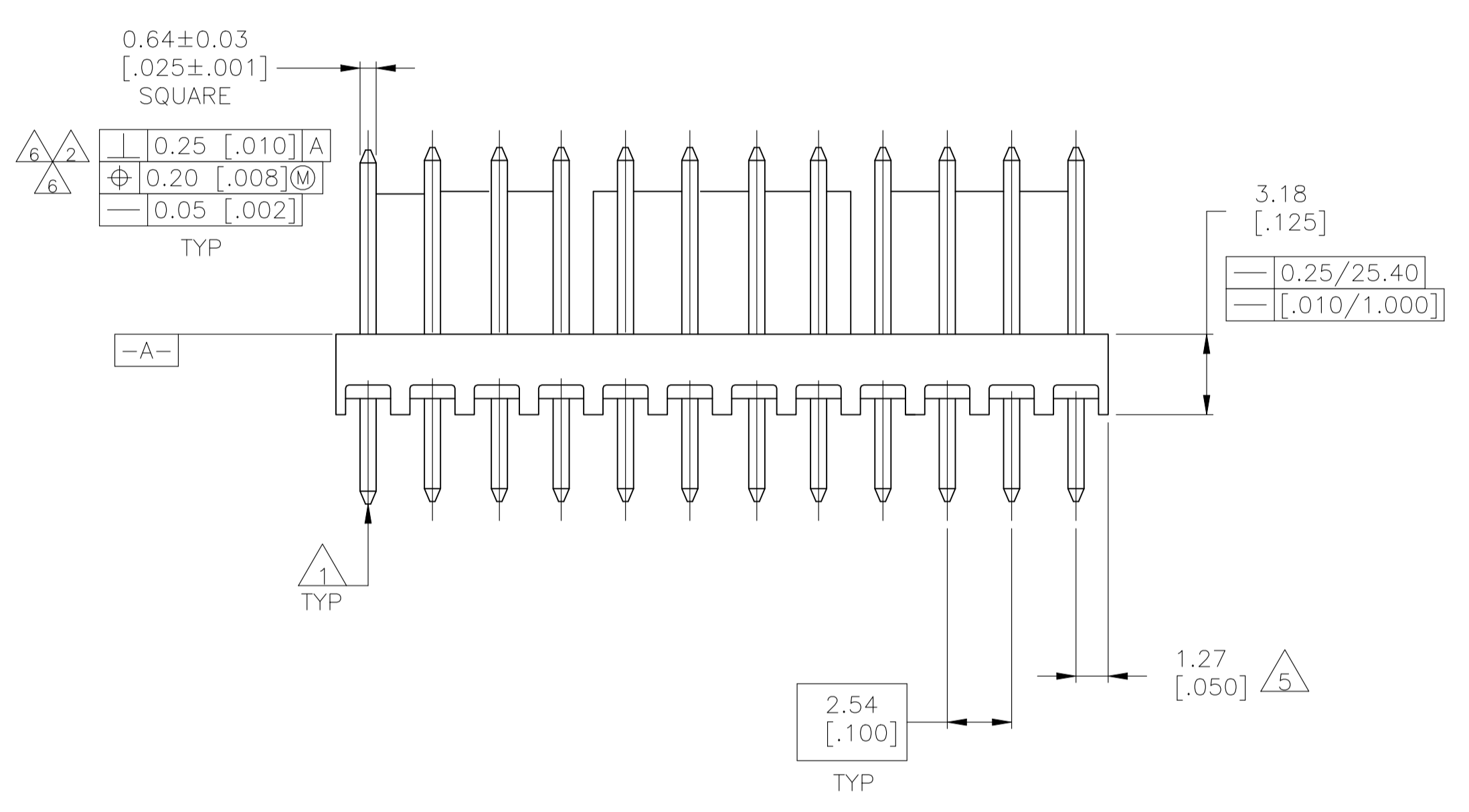
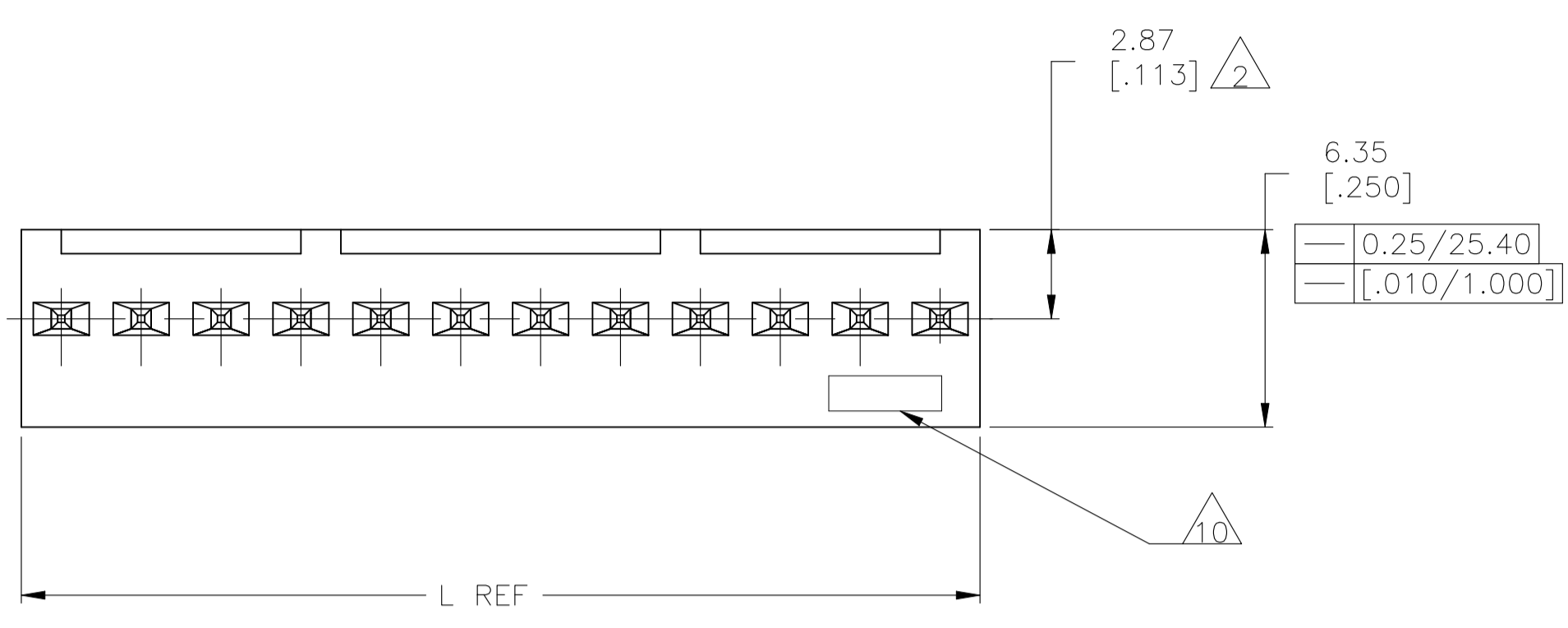


REVISIONS					
REV	DATE	DESCRIPTION	BY	CHK	APPV
M2	06AUG2024	REVISED PER ECR-23-181719	MV	JP	



- 1 POST TO WITHSTAND 13 NEWTONS (3 LBS) MIN. AXIAL FORCE IN DIRECTION SHOWN WITHOUT DISLODGING.
- 2 MEASURED AT SURFACE \square -A-.
- 3. PARTS COMPLY WITH AMP SOLDERABILITY SPEC. NO. 109-11-2.
- 4 HOUSING; NYLON 4/6, HIGH TEMP, BLACK
POST -2 THRU -18: COPPER ALLOY, TIN-LEAD (93/7) PLATING
POST -32 THRU -48: COPPER ALLOY TIN PLATE
- 5 COORDINATE DIMENSION APPLIES FROM CENTER OF ACTUAL FEATURE.
- 6 POSTS TO BE MEASURED WHEN STRIP IS HELD FLAT.
- 7. DIMENSIONS IN BRACKETS ARE IN INCHES.
- 8 TOLERANCES APPLY TO SOLDER SIDE OF BOARD.
- 9 ONE HOLE MAY BE UNDERSIZED 0.81 - 0.89 [.032 - .035] DIAMETER FOR ASSEMBLY RETENTION DURING PROCESSING.
- 10 TE LOGO AND UL AND CSA TRADEMARKS TO APPEAR ON THIS SURFACE.
- 11 OBSOLETE PARTS: OBSOLETE CIS STREAMLINING PER D.RENAUD/D.SINISI

REV	DATE	DESCRIPTION	BY	CHK	APPV	NO. OF POSITIONS	PART NUMBER
1						12	4-647047-2
2						11	4-647047-1
3						10	4-647047-0
4						9	3-647047-9
5						8	3-647047-8
6						7	3-647047-7
7						6	3-647047-6
8						5	3-647047-5
9						4	3-647047-4
10						3	3-647047-3
11						2	3-647047-2
12							
13							
14							
15							
16							
17							
18							
19							
20							
21							
22							
23							
24							
25							
26							
27							
28							
29							
30							
31							
32							
33							
34							
35							
36							
37							
38							
39							
40							
41							
42							
43							
44							
45							
46							
47							
48							
49							
50							
51							
52							
53							
54							
55							
56							
57							
58							
59							
60							
61							
62							
63							
64							
65							
66							
67							
68							
69							
70							
71							
72							
73							
74							
75							
76							
77							
78							
79							
80							
81							
82							
83							
84							
85							
86							
87							
88							
89							
90							
91							
92							
93							
94							
95							
96							
97							
98							
99							
100							

8 RECOMMENDED MOUNTING HOLE PATTERN FOR 1.57±0.20 [.062±.008] THICK P.C. BOARD

THIS DRAWING IS A CONTROLLED DOCUMENT.

DIN S. HOOVER 25FEB03
CHK: D. BOSSI 25FEB03
APPV: D. BOSSI 25FEB03

NAME: MTA-100 HEADER ASSEMBLY, HIGH TEMPERATURE, POLARIZED, STRAIGHT .025 SQUARE POST, TIN OR TIN LEAD PLATED

SIZE: A1
CAGE CODE: 00779
DRAWING NO: 647047

SCALE: 5:1
SHEET: 1 of 1
REV: M2