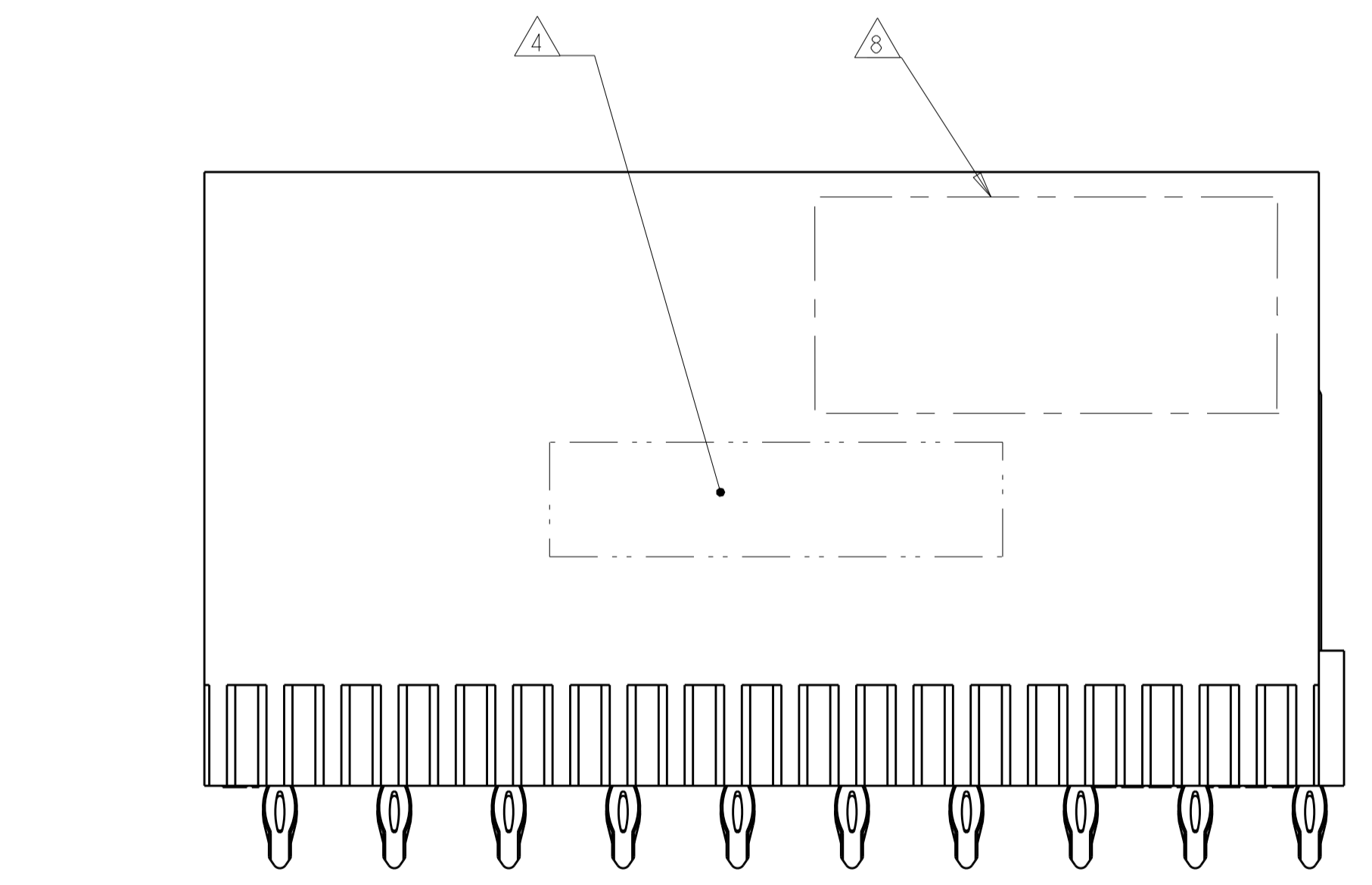
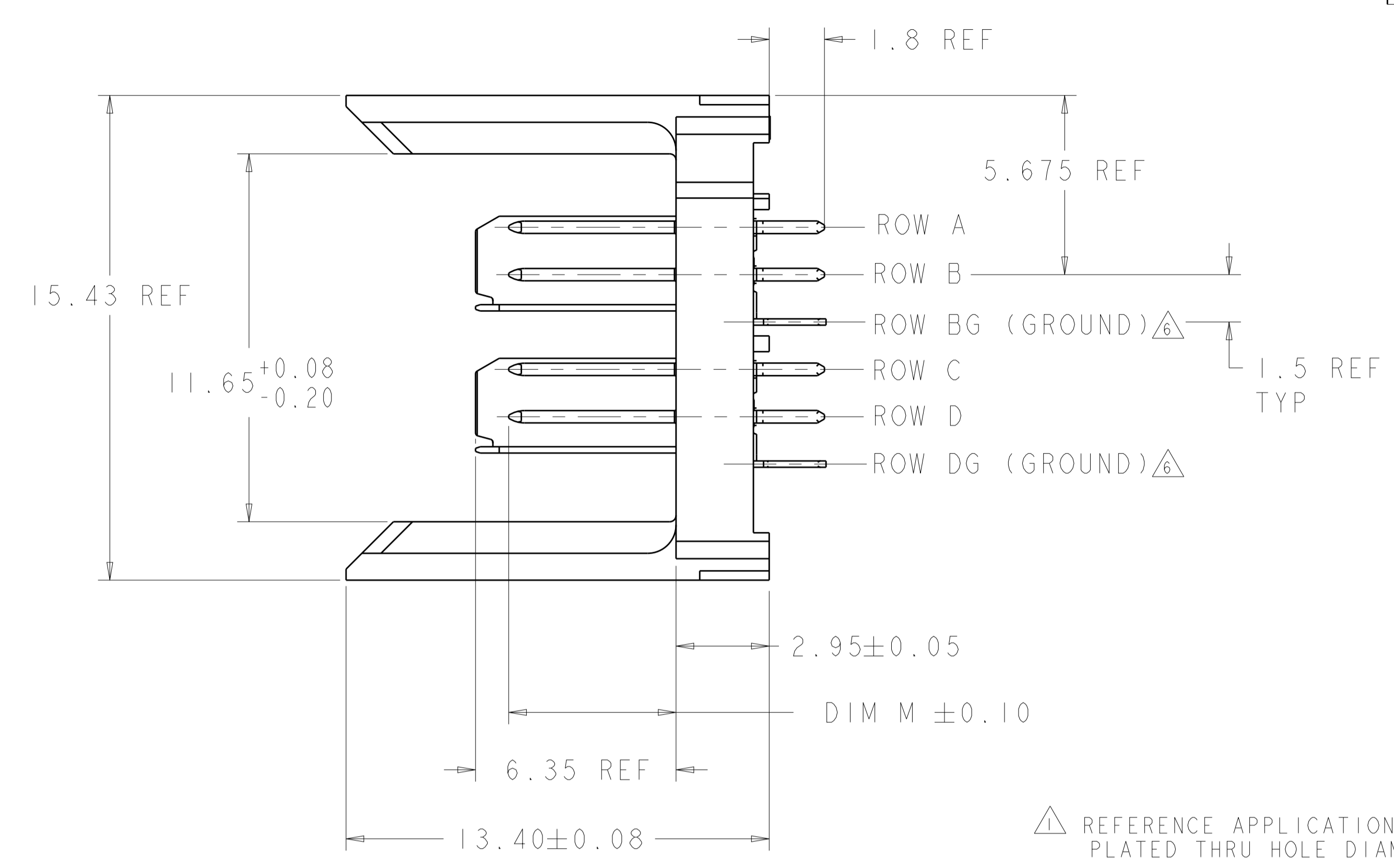
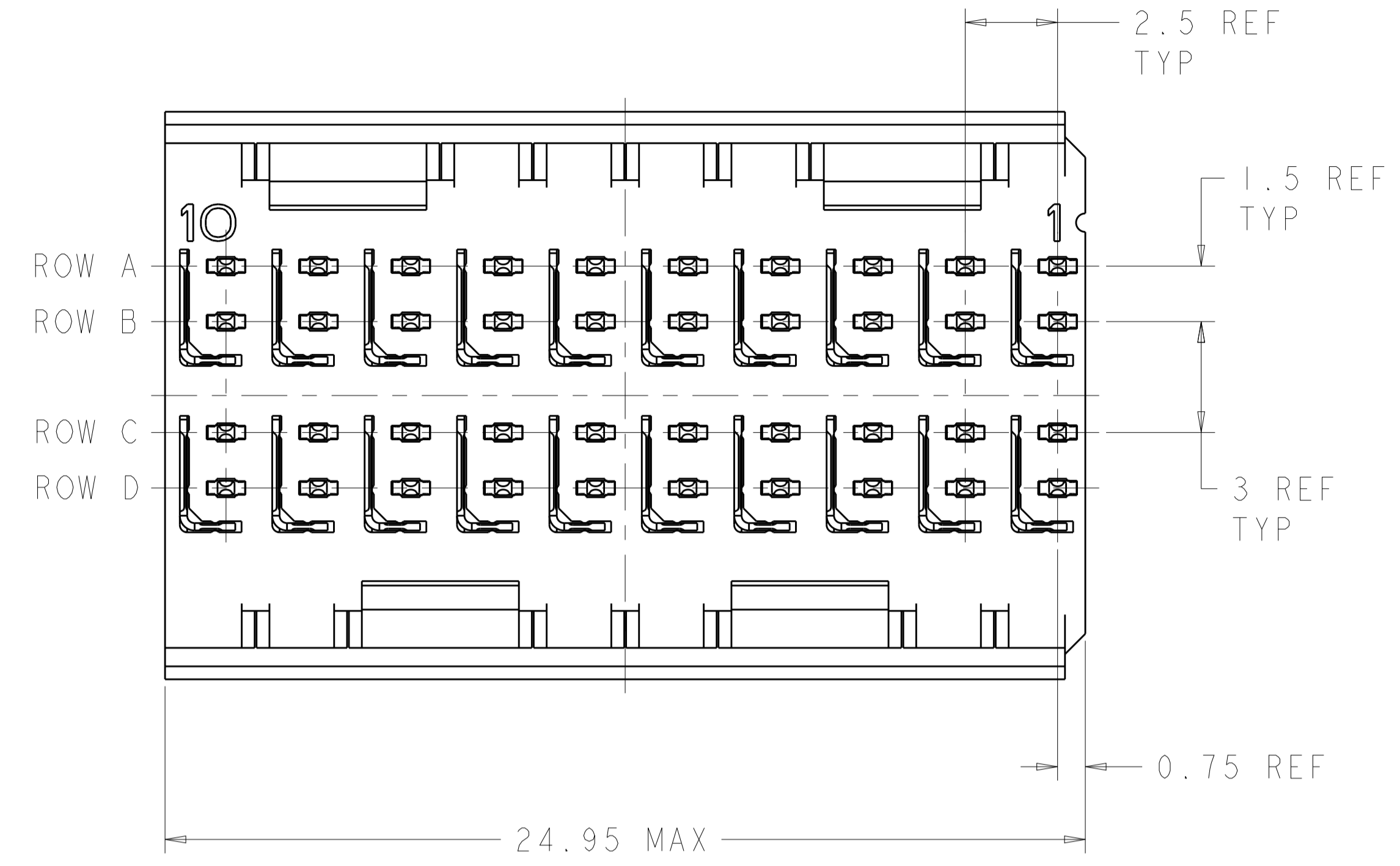
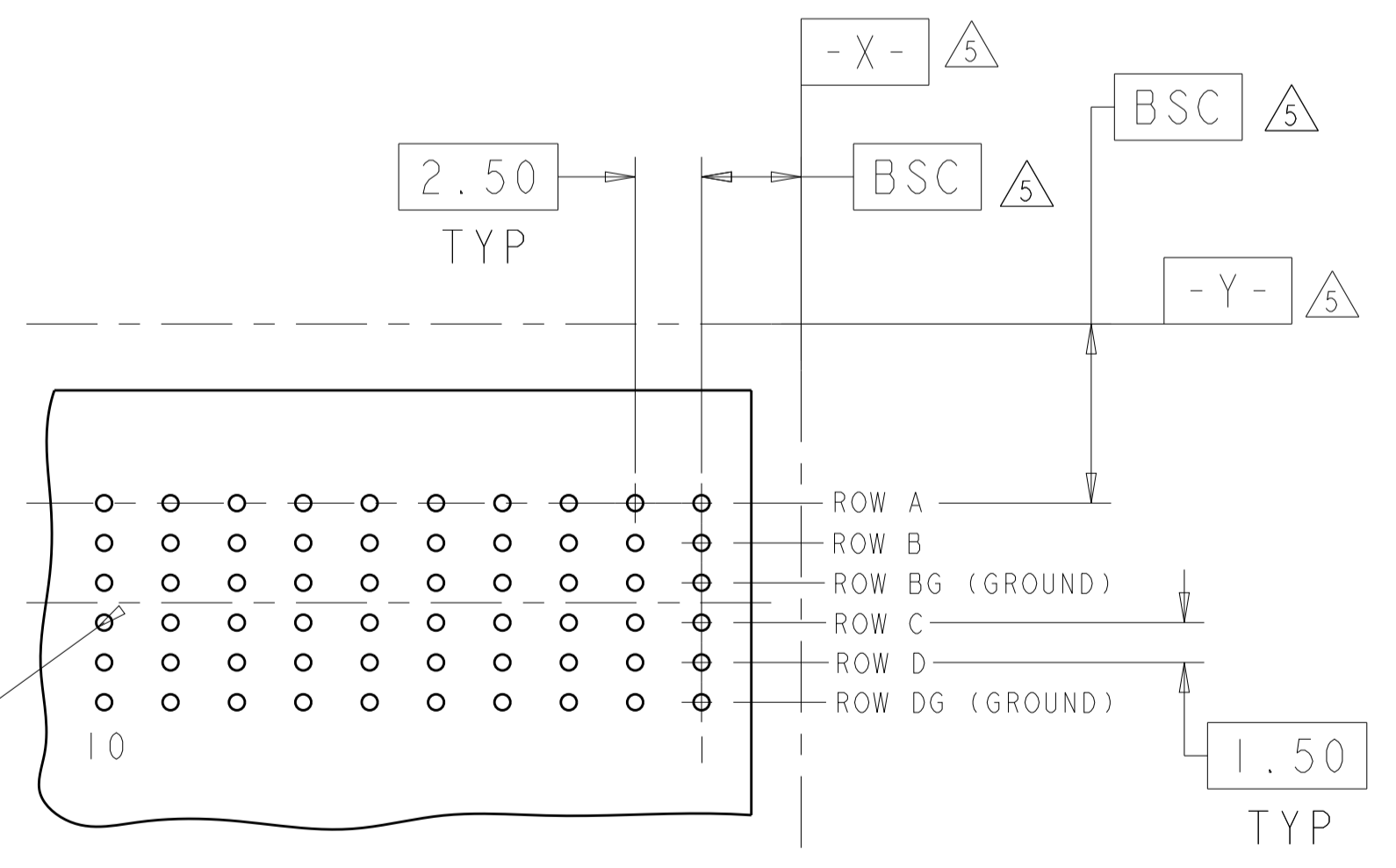


| REVISIONS |     |                           |           |       |
|-----------|-----|---------------------------|-----------|-------|
| P         | LTN | DESCRIPTION               | DATE      | APVD  |
| C         |     | REVISED PER ECO-18-018129 | 04OCT2019 | AP DS |
|           |     |                           |           |       |
|           |     |                           |           |       |



⊕ ∅ 0.05 Ⓢ X Y  
ALL PLATED THRU HOLES



RECOMMENDED PC BOARD LAYOUT, BACKPLANE, COMPONENT SIDE SHOWN SCALE 4:1

- △ REFERENCE APPLICATION SPEC 114-13059 FOR RECOMMENDED PLATED THRU HOLE DIAMETER AND PLATING THICKNESSES.
- △ MATERIAL:  
CONTACT AND SHIELD - PHOSPHOR BRONZE  
HOUSING - GLASS FILLED POLYESTER. UL 94V-0.
- △ FINISH: SIGNAL AND GROUND CONTACTS:  
MATING AREA: MEETS THE PERFORMANCE REQUIREMENTS OF PRODUCT SPECIFICATION 108-2055; BASED ON TELCORDIA GR-1217-CORE, APPLICATIONS IN UNCONTROLLED ENVIRONMENTS  
COMPLIANT PIN AREA: 0.5 μm MIN MATTE TIN OVER BASE PLATING
- △ CONNECTOR MARKED WITH PART NUMBER AND DATE CODE.
- △ DATUMS AND BASIC DIMENSIONS ESTABLISHED BY CUSTOMER.
- △ THE TWO GROUNDS IN EACH COLUMN ARE COMMONED.
- 7. CONTACT AREA LUBRICATED WITH BELLCORE APPROVED LUBRICANT. TECHNICAL REFERENCE: GR-1217-CORE, ISSUE 1, NOVEMBER 1995.
- △ TE OR TE CONNECTIVITY LOGO IS LOCATED.

|       |             |
|-------|-------------|
| 3.80  | 6469076-2   |
| 5.30  | 6469076-1   |
| DIM M | PART NUMBER |

|  |   |  |   |                    |
|--|---|--|---|--------------------|
| THIS DRAWING IS A CONTROLLED DOCUMENT. |   | DWN S. J. MAGARO 28JUN2004<br>CHK R. A. PATTERSON 28JUN2004<br>APVD R. PATTERSON 17AUG2007 | <b>TE</b> TE Connectivity   |                    |
| DIMENSIONS:<br>mm<br>                  | TOLERANCES UNLESS OTHERWISE SPECIFIED:<br>0 PLC ±<br>1 PLC ±<br>2 PLC ±<br>3 PLC ±<br>4 PLC ±<br>ANGLES ± | NAME<br>PRODUCT SPEC<br>APPLICATION SPEC<br>WEIGHT   | NAME<br>HEADER ASSEMBLY, 2 PAIR,<br>1.8mm TAIL, 25mm, HMZd<br>SIZE CAGE CODE DRAWING NO<br>A1100779C=6469076<br>RESTRICTED TO |                    |
| MATERIAL                               | FINISH  | CUSTOMER DRAWING   | SCALE 8:1   | SHEET 1 OF 1 REV C |