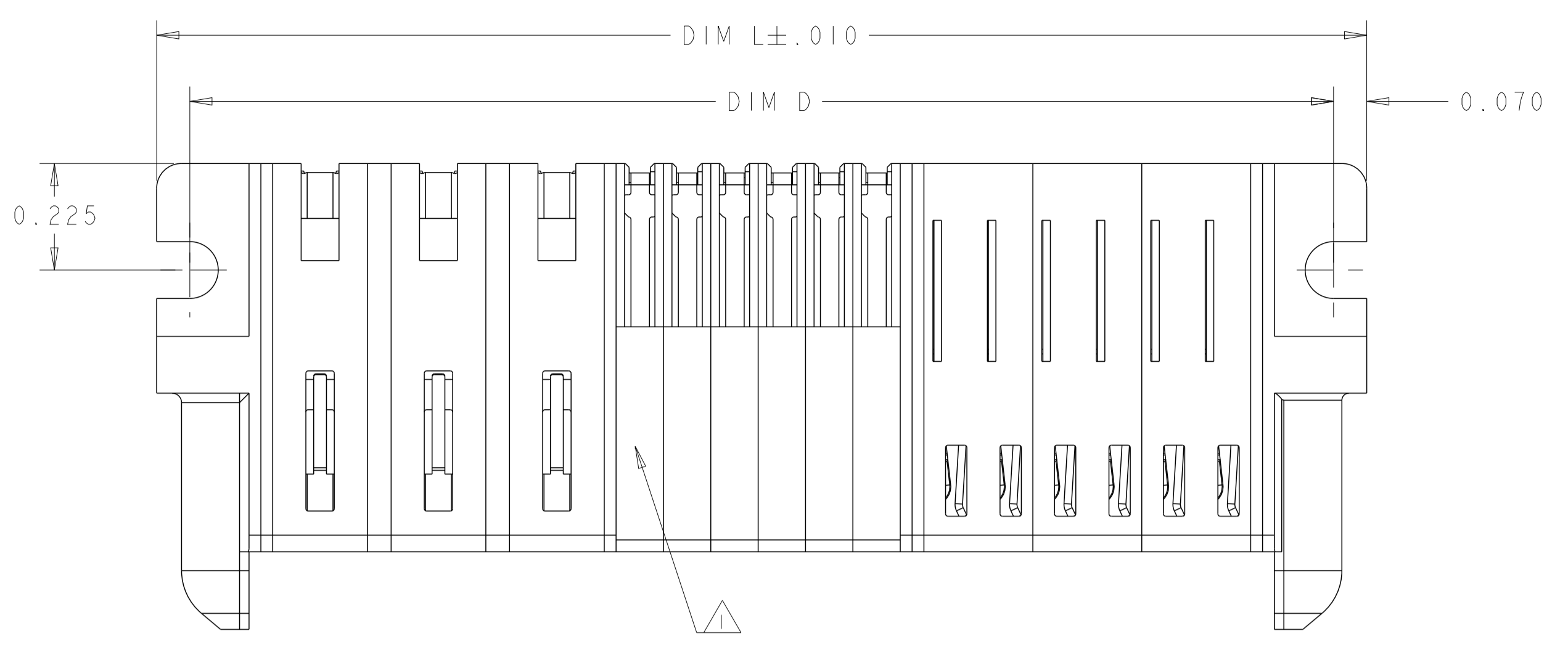
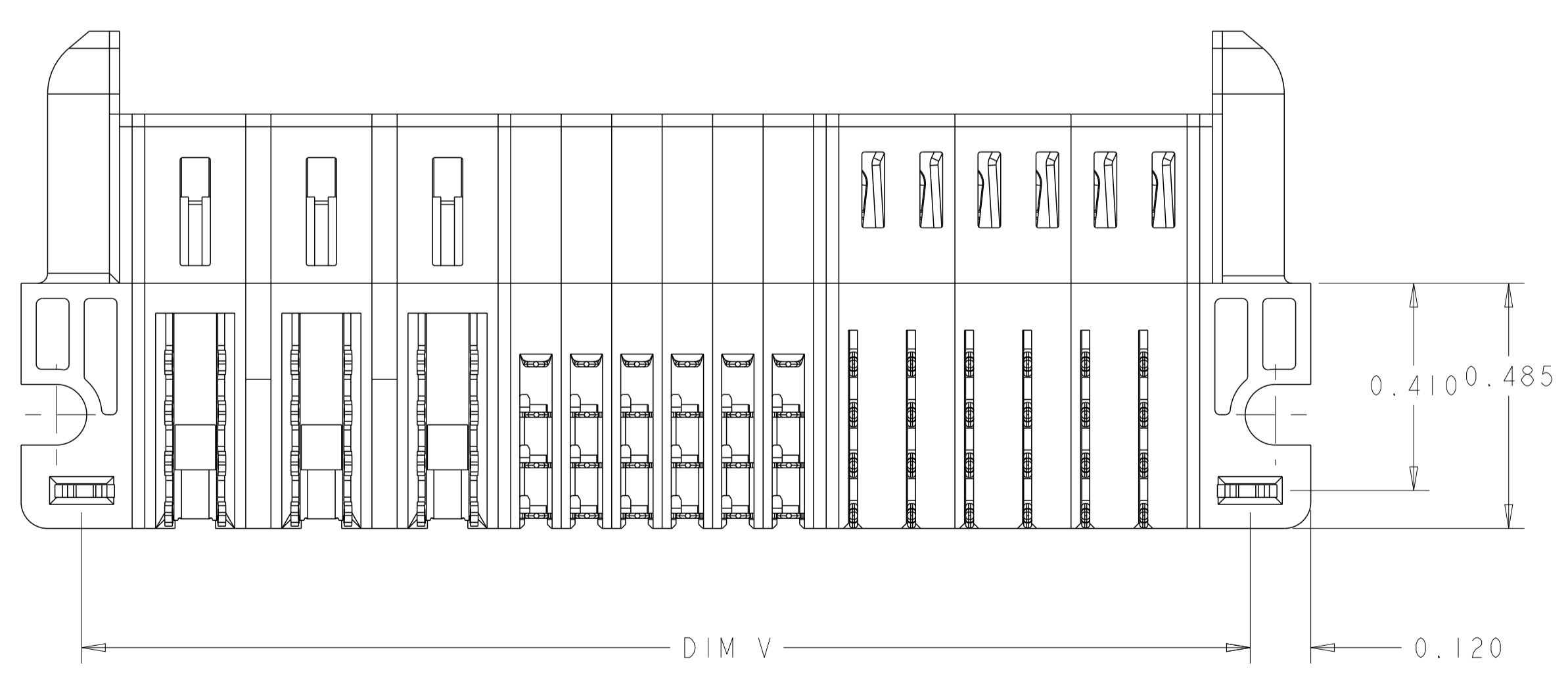
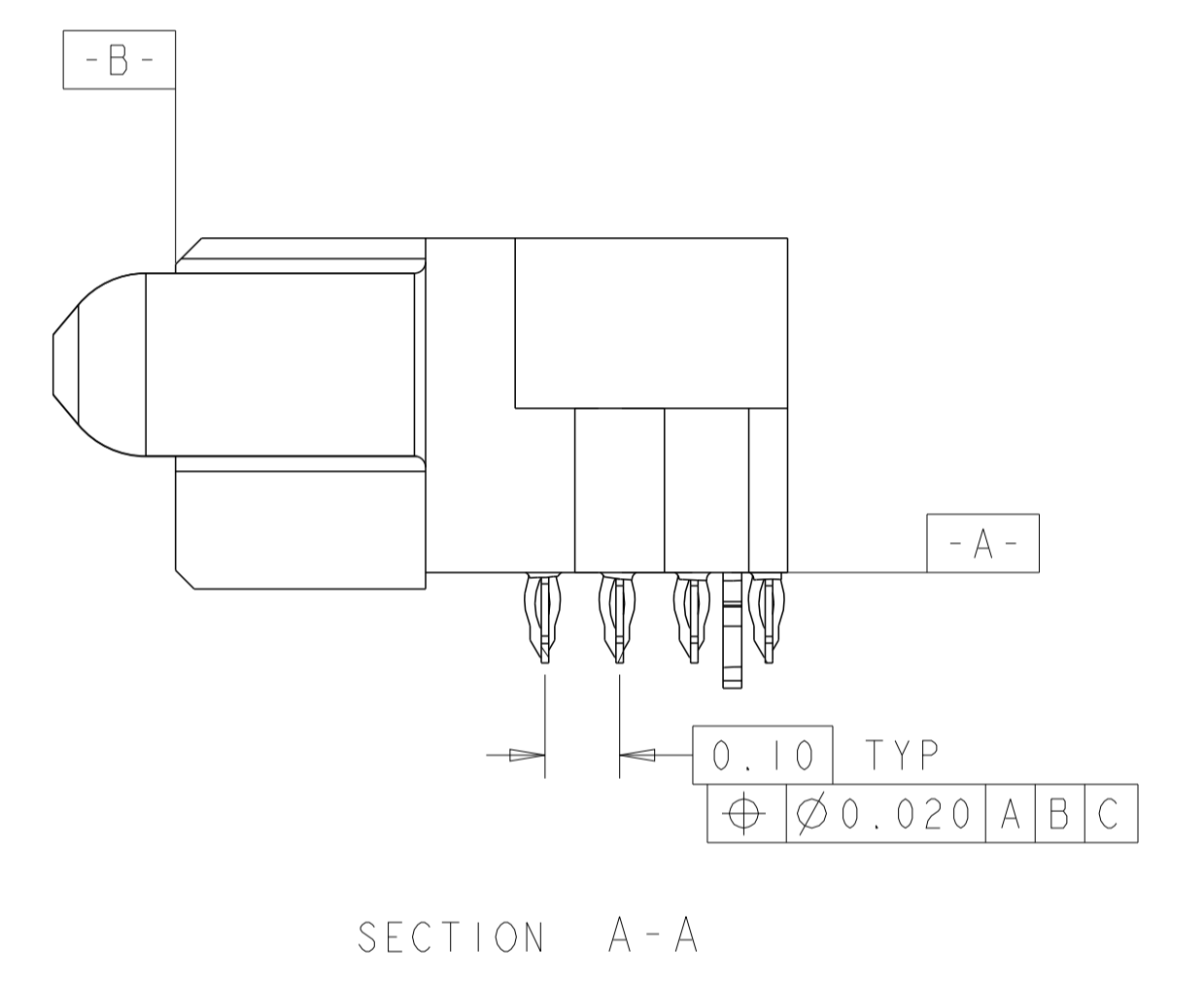
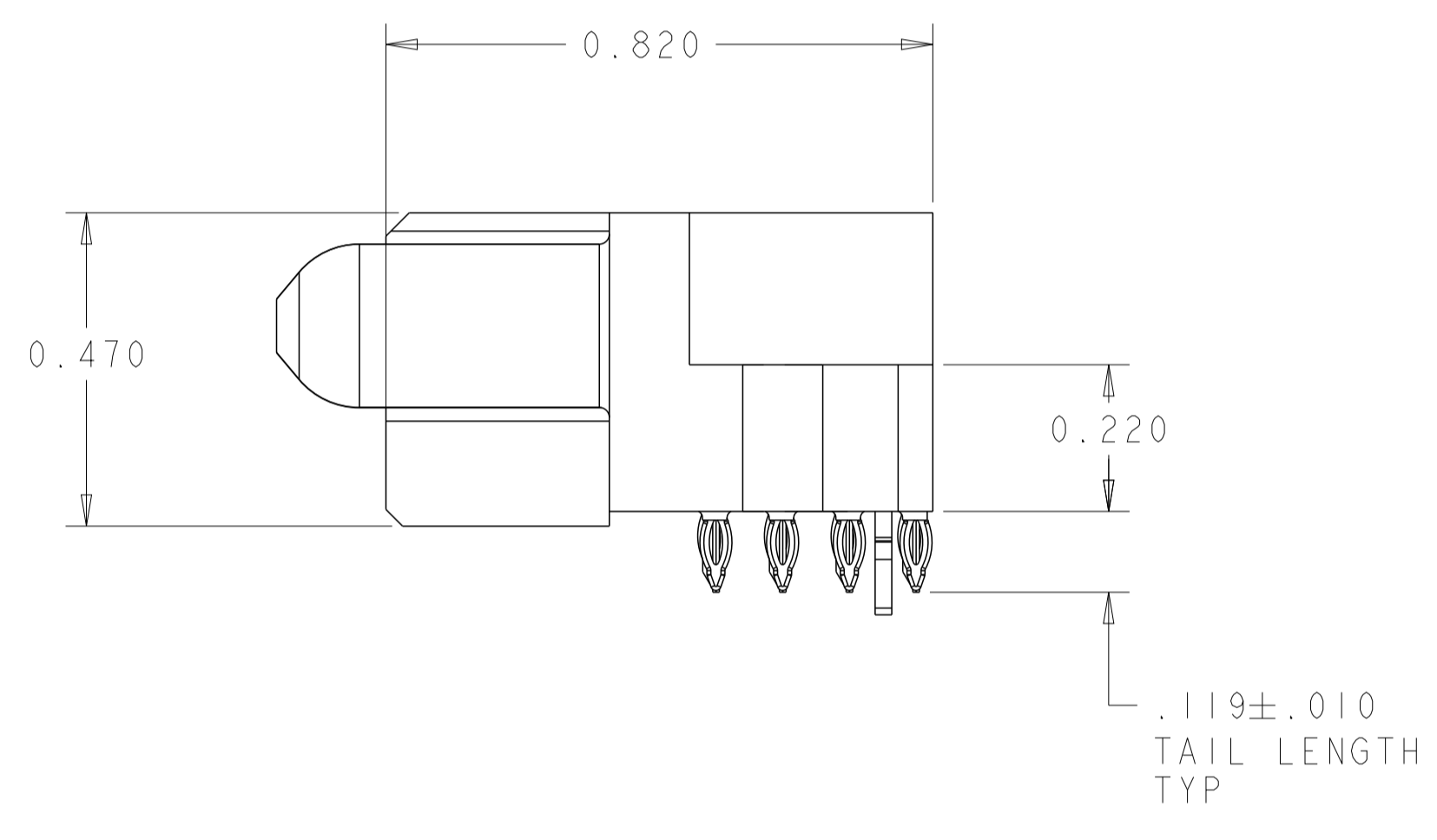
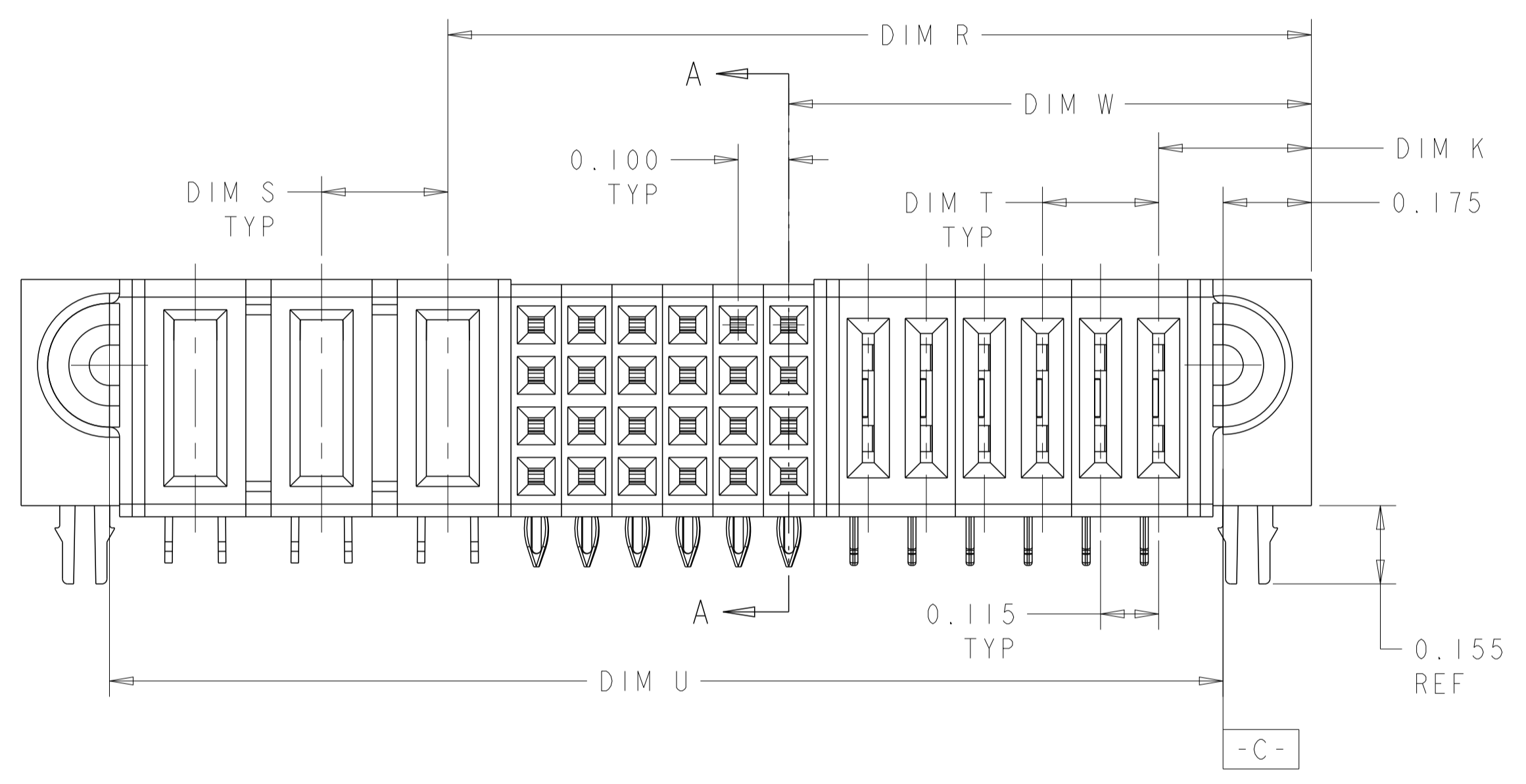


LOC		DIST		REVISIONS			
ES	00	P	LTN	DESCRIPTION	DATE	OWN	APVD
		F10		ADDED POSITION TOLERANCE	30JUL2024	VNB	PS
		F11		ADDED SIDE VIEW IN SHEET-4	28AUG2024	VNB	PS
		F12		ADDED ACTUATOR MATERIAL NAME	09SEP2024	VNB	RCG
		F13		UNHIDING PINS IN SHEET-2	10SEP2024	VNB	RCG



- △ "AMP", PART NUMBER, AND DATE CODE TO BE MARKED ON SURFACE SHOWN PARTS UNDER 2.000 MAY BE MARKED ON BOTH SIDES.
- △ MATERIAL: HOUSING - GLASS FILLED HIGH TEMP THERMO PLASTIC, UL94 V-O
 SIGNAL CONTACT - COPPER ALLOY
 POWER CONTACT - HIGH CONDUCTIVITY COPPER ALLOY
 ACTUATOR - GLASS FILLED HIGH TEMP THERMO PLASTIC, UL94 V-O
- △ CONTACT PLATING: NOBLE METAL PLATING ON CONTACT FUNCTIONAL AREA OF POWER AND SIGNAL CONTACTS
- △ MECHANICAL CONNECTOR KEEP OUT ZONE
- △ DATUM AND BASIC DIMENSIONS ESTABLISHED BY CUSTOMER
- △ PCB - ALL HOLE DIAMETERS ARE FINISHED HOLE SIZES
- △ PCB - .0453 ± .0010 DRILLED HOLE PLATED WITH .0003 MIN Sn OVER .001-.003 PLATING TO ACHIEVE A .040 HOLE
- △ FOR P/S/P, P/S/LP CONFIGURATION, PLEASE REFER TO SHEET 2
- △ CONTACTS LUBRICATED WITH HMI5 AFTER PLATING.
- △ VARIABLE DIMENSIONS PLEASE SEE PART VIEW.



△	-	2.505	2.605	2.395	2.745	1.1575 △	.550	.2775	2LP+24S+2LP+8S+8LP	3-6450880-0
.200	.200	1.600	1.700	1.490	1.840	1.295	.720	.345	2P + 20S + 2P	2-6450880-9
.240	.165	1.980	2.080	1.870	2.220	1.4225	.990	.2775	3LP + 16S + 4LP	△ 2-6450880-7
.250	.250	1.750	1.850	1.640	1.990	1.345	.845	.395	2P + 16S + 2P	△ 2-6450880-6
.230	.250	-	5.595	5.385	5.735	4.6025 △	3.345	.370 △	12P + 48S + 12LP	2-6450880-3
-	-	.880	.980	.770	1.120	.8425	.435	.2775 △	1LP + 16S + 1LP	2-6450880-0
.200 △	.200	2.350	2.450	2.240	2.590	1.670	1.095	.320 △	4HDP + 20S + 4HDP	1-6450880-9
.250 △	.250	3.900	4.000	3.790	4.140	2.820	1.520	.320 △	5P + 48S + 5P	1-6450880-8
.250	.250	3.300	3.400	3.190	3.540	2.195	1.520	.345	5P + 24S + 5P	1-6450880-7
.250	.250	1.750	1.850	1.640	1.990	1.370	.845	.370	2P + 16S + 2P	△ 1-6450880-5
.250	.250	6.000	6.100	5.890	6.240	4.145	2.270	.345	8P + 72S + 8P	△ 1-6450880-1
-	-	.600	.700	.490	.840	-	.270	-	16S	1-6450880-0
.230 △	.250 △	5.495	5.595	5.385	5.735	4.6025 △	3.345	.370 △	12P+ 48S+ 8LP △ △	6450880-8
.250	.250	4.400	4.500	4.290	4.640	2.545	2.270	.345	8P + 8S + 8P	6450880-7
.230	-	1.190	1.290	1.080	1.430	-	1.060	.3775	6LP + 8S	6450880-6
-	-	1.475	1.575	1.365	1.715	1.320	.595	.370	△ 1P + 24S + 1P	6450880-5
.230 △	.250 △	-	5.595	5.385	5.735	4.6025 △	3.345	.370	△ 12P+ 48S+ 8LP	6450880-4
.300 △	.200	5.150	5.250	5.040	5.390	2.845	1.520	.370	△ 4ACP + 48S + 12HDP	6450880-3
.230	.250	2.315	2.415	2.205	2.555	1.710	1.035	.3025	6LP + 24S + 3P	6450880-1
DIM T	DIM S	DIM V	DIM D	DIM U	DIM L	DIM R	DIM W	DIM K	DESCRIPTION	PART NUMBER

THIS DRAWING IS A CONTROLLED DOCUMENT. DWG: S.ZHAO 25MAY2007
 CHG: S.ZHAO 25MAY2007
 APVD: S.ZHAO 25MAY2007

DIMENSIONS: INCHES. TOLERANCES UNLESS OTHERWISE SPECIFIED:
 0 PLC ±.1
 1 PLC ±.01
 2 PLC ±.005
 3 PLC ±.0025
 4 PLC ±.002
 ANGLES ±.2°

MATERIAL: △ 2. FINISH: .

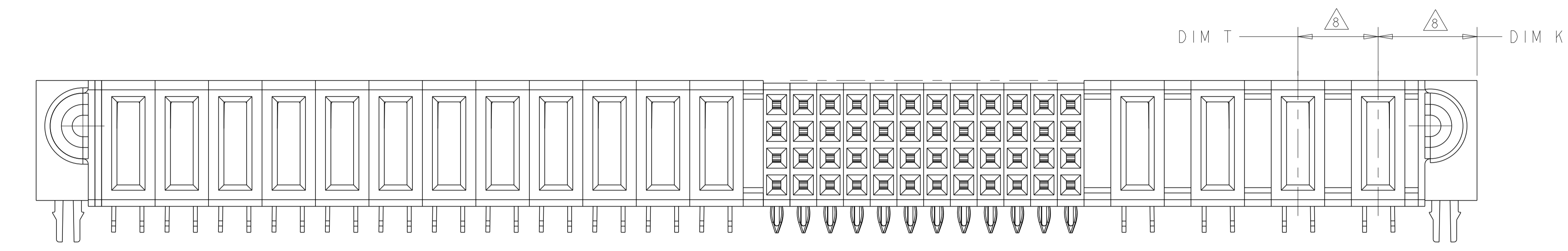
THIS DRAWING IS A CONTROLLED DOCUMENT. DWG: S.ZHAO 25MAY2007
 CHG: S.ZHAO 25MAY2007
 APVD: S.ZHAO 25MAY2007

PRODUCT SPEC: 108-2292
 APPLICATION SPEC: 114-13251

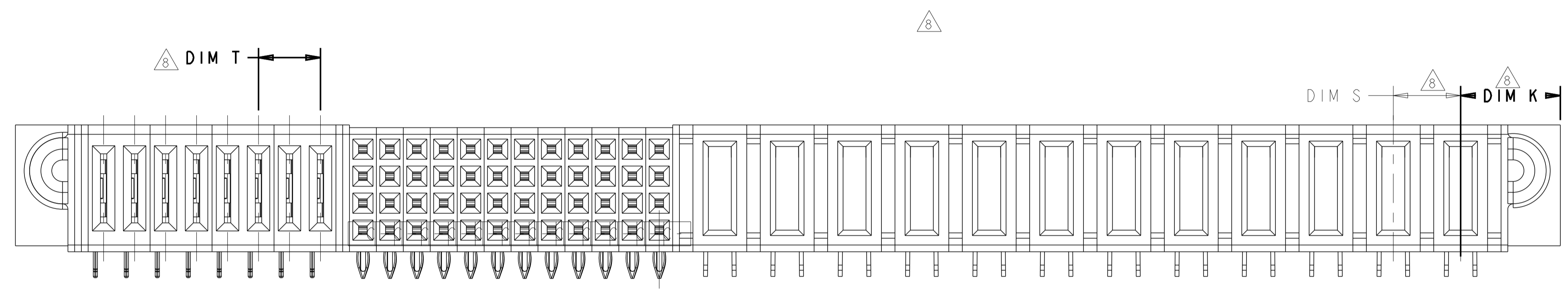
WEIGHT: .
 CUSTOMER DRAWING

TE TE Connectivity
 NAME: RIGHT ANGLE RECEPTACLE WITH LP CONTACT AND SHORT END MODULES MULTI-BEAM XLE
 SIZE: A1 00779 C=6450880
 SCALE: 2:1 SHEET 1 OF 15 REV: F13

LOC	DIST	REVISIONS					
		P	LTN	DESCRIPTION	DATE	DMN	APVD
ES	00	-	-	SEE SHEET 1	-	-	-

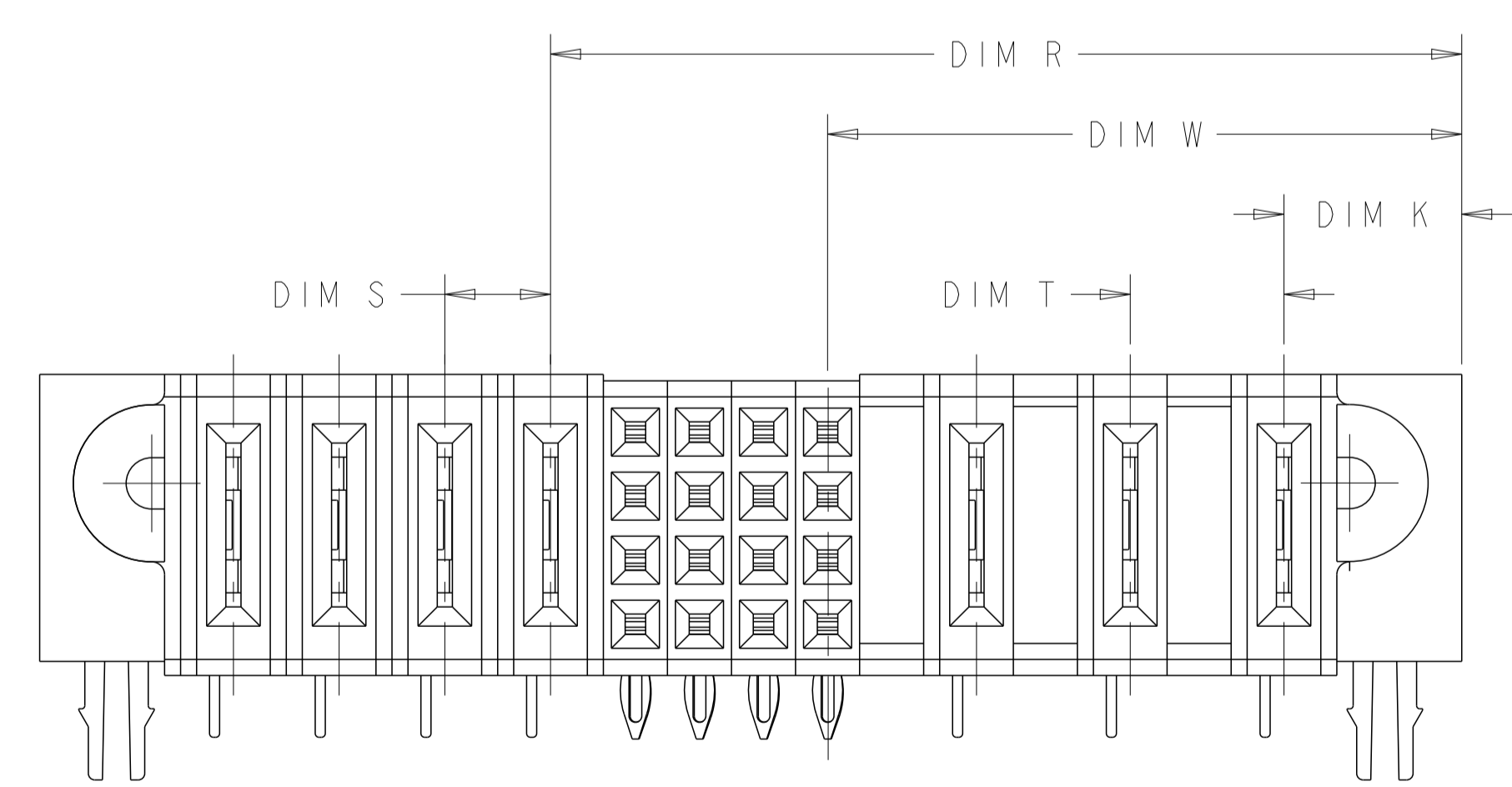


PART NUMBER 6450880-3
 UNSPECIFIED DIM REFER TO SHEET 1
 SCALE 7:2



F13

PART NUMBER 6450880-4, 2-6450880-3
 UNSPECIFIED DIM REFER TO SHEET 1
 SCALE 7:2

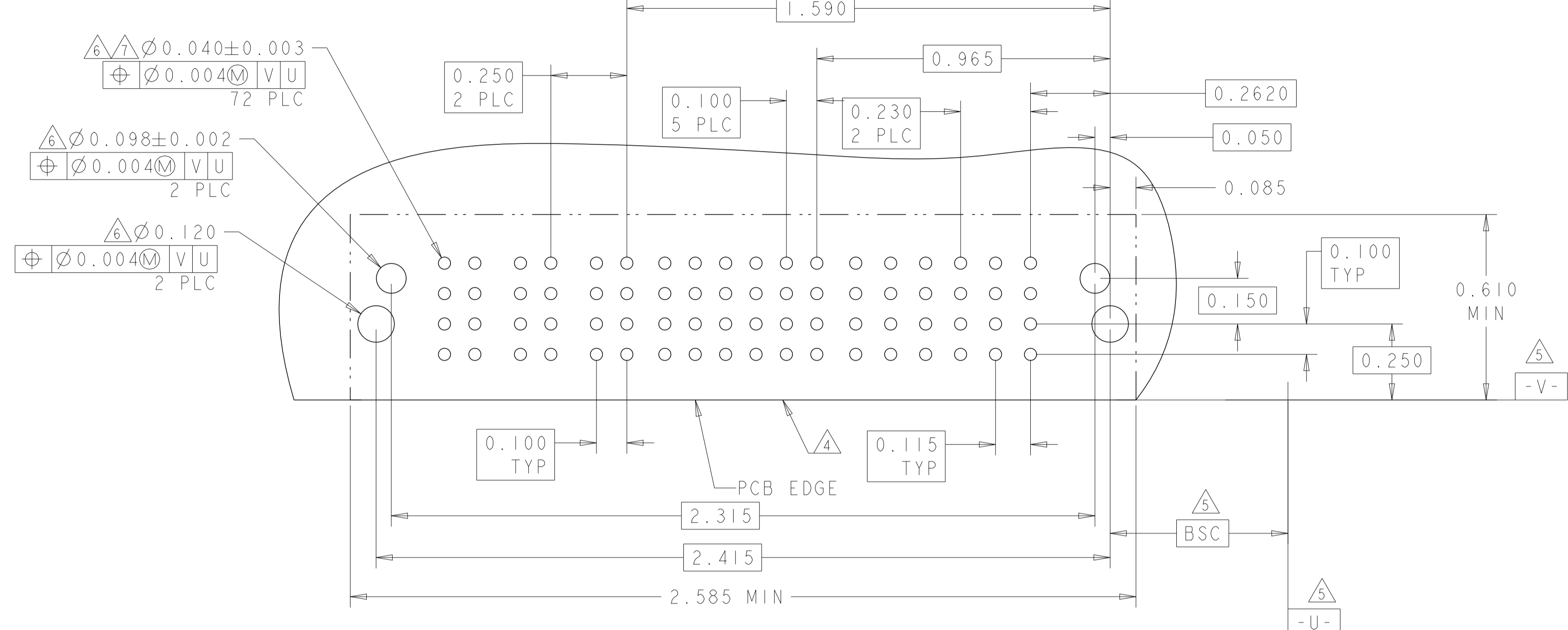


PART NUMBER 2-6450880-0, 2-6450880-7
 UNSPECIFIED DIM REFER TO SHEET 1
 FOR CONFIGURATION LP/S/LP

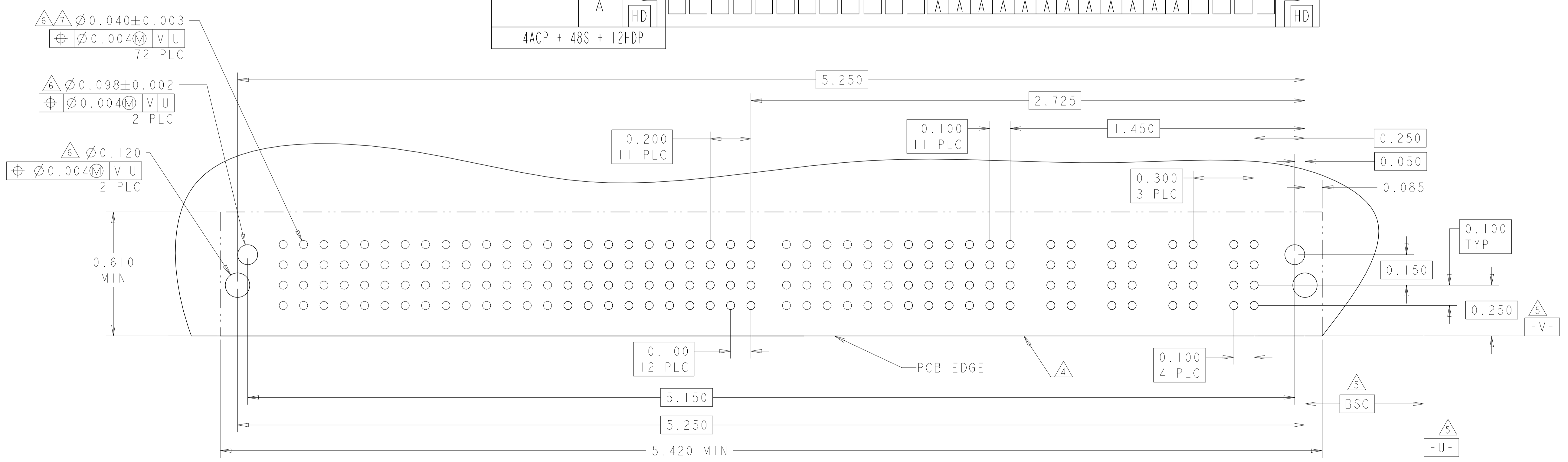
THIS DRAWING IS A CONTROLLED DOCUMENT.		DMN S. ZHAO 25MAY2007															
DIMENSIONS: INCHES		CHK S. ZHAO 25MAY2007															
<table border="1"> <tr> <td>0 PLC</td> <td>±.1</td> </tr> <tr> <td>1 PLC</td> <td>±.01</td> </tr> <tr> <td>2 PLC</td> <td>±.005</td> </tr> <tr> <td>3 PLC</td> <td>±.002</td> </tr> <tr> <td>4 PLC</td> <td>±.002</td> </tr> <tr> <td>ANGLES</td> <td>±2°</td> </tr> <tr> <td>FINISH</td> <td>-</td> </tr> </table>		0 PLC		±.1	1 PLC	±.01	2 PLC	±.005	3 PLC	±.002	4 PLC	±.002	ANGLES	±2°	FINISH	-	APVD S. ZHAO 25MAY2007
0 PLC	±.1																
1 PLC	±.01																
2 PLC	±.005																
3 PLC	±.002																
4 PLC	±.002																
ANGLES	±2°																
FINISH	-																
		TOLERANCES UNLESS OTHERWISE SPECIFIED:															
MATERIAL	-	PRODUCT SPEC 108-2292	NAME RIGHT ANGLE RECEPTACLE WITH LP CONTACT AND SHORT END MODULES MULTI-BEAM XLE														
CUSTOMER DRAWING		APPLICATION SPEC 114-13251	SIZE A1														
SCALE 4:1		WEIGHT -	CAGE CODE DRAWING NO. 00779														
SHEET 2 OF 15		RESTRICTED TO	DRAWING NO. 6450880														
REV F13																	

LOC		DIST		REVISIONS			
ES	00	P	LTH	DESCRIPTION	DATE	DMN	APVD
		-	-	SEE SHEET 1	-	-	-

PART NUMBER	ROWS	POWER						SIGNAL						POWER								
		P3	P2	P1	6	5	4	3	2	1	LP6	LP5	LP4	LP3	LP2	LP1	LP6	LP5	LP4	LP3	LP2	LP1
6450880-1	D C B A																					
		RP	RS	RS	D	D	D	D	D	D	LS	LS	LS	LS	LS	LS	LS	LS	LS	LS	LS	
					C	C	C	C	C	C												
					B	B	B	B	B	B												
			A	A	A	A	A	A														



PART NUMBER	ROWS	POWER												SIGNAL												POWER				
		PI6	PI5	PI4	PI3	PI2	PI1	PI0	P9	P8	P7	P6	P5	12	11	10	9	8	7	6	5	4	3	2	1	P4	P3	P2	P1	
6450880-3	D C B A																													
		RS	RS	RS	RS	RS	RS	RS	RS	RS	RS	RS	RS	D	D	D	D	D	D	D	D	D	D	D	D	D	LS	LS	LS	LS
														C	C	C	C	C	C	C	C	C	C	C	C	C				
														B	B	B	B	B	B	B	B	B	B	B	B	B				
												A	A	A	A	A	A	A	A	A	A	A	A	A						



SIGNAL CONTACT ROW D	D
SIGNAL CONTACT ROW C	C
SIGNAL CONTACT ROW B	B
SIGNAL CONTACT ROW A	A
STD LP CONTACT	LS
MFBL POWER CONTACT	RP
STD POWER CONTACT	RS
DESCRIPTION	CODE

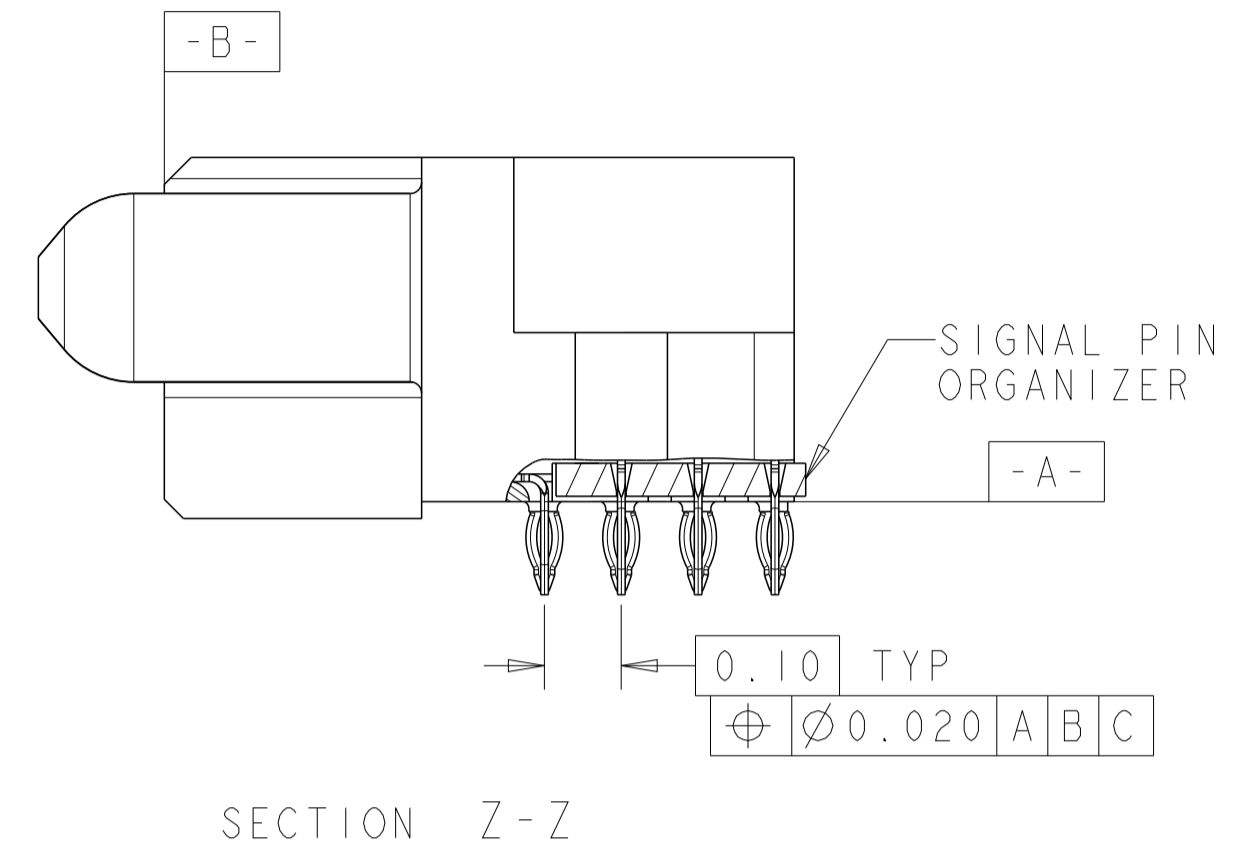
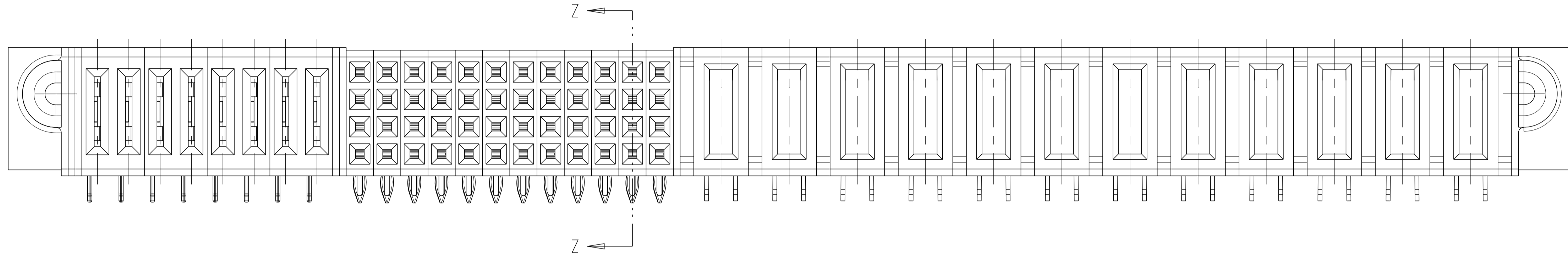
THIS DRAWING IS A CONTROLLED DOCUMENT.

DIMENSIONS:	TOLERANCES UNLESS OTHERWISE SPECIFIED:	DMN S. ZHAO 25MAY2007	CHK S. ZHAO 25MAY2007	APVD S. ZHAO 25MAY2007
INCHES	0 PLC $\pm .1$ 1 PLC $\pm .1$ 2 PLC $\pm .01$ 3 PLC $\pm .005$ 4 PLC $\pm .002$ ANGLES $\pm .2^\circ$ FINISH	PRODUCT SPEC 108-2292	APPLICATION SPEC 114-13251	WEIGHT
MATERIAL		CUSTOMER DRAWING	SCALE 4:1	SHEET 3 OF 15

NAME: RIGHT ANGLE RECEPTACLE WITH LP CONTACT AND SHORT END MODULES MULTI-BEAM XLE
 SIZE: A1 00779 ©=6450880
 RESTRICTED TO

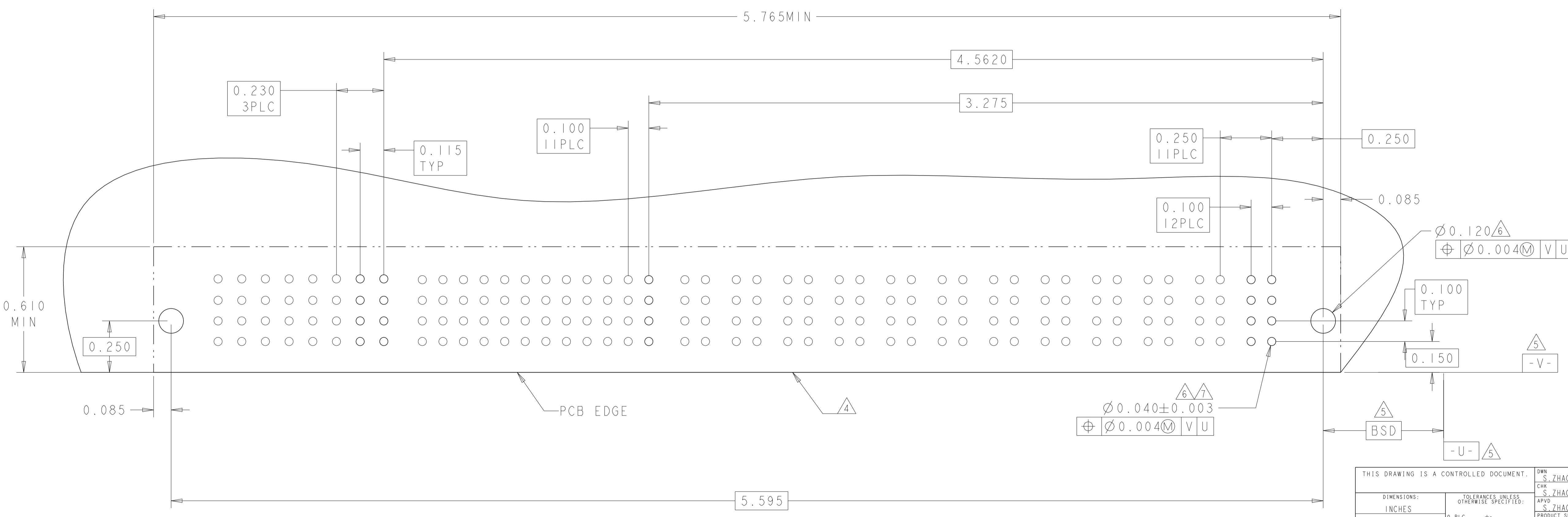
Table with columns: REVISIONS, DESCRIPTION, DATE, DWN, APVD. Revision 00: SEE SHEET 1.

Pinout table for part 6450880-8. Columns: PART NUMBER, ROWS (D, C, B, A), POWER (LP8-LP1, P12-P1), SIGNAL (I1-I12, P12-P1). Total 12P + 48S + 8LP.



Pinout table for part 2-6450880-3. Columns: PART NUMBER, ROWS (D, C, B, A), POWER (LP8-LP1, P12-P1), SIGNAL (I1-I12, P12-P1). Total 12P + 48S + 8LP.

Pinout table for part 6450880-4. Columns: PART NUMBER, ROWS (D, C, B, A), POWER (LP8-LP1, P12-P1), SIGNAL (I1-I12, P12-P1). Total 12P + 48S + 8LP.



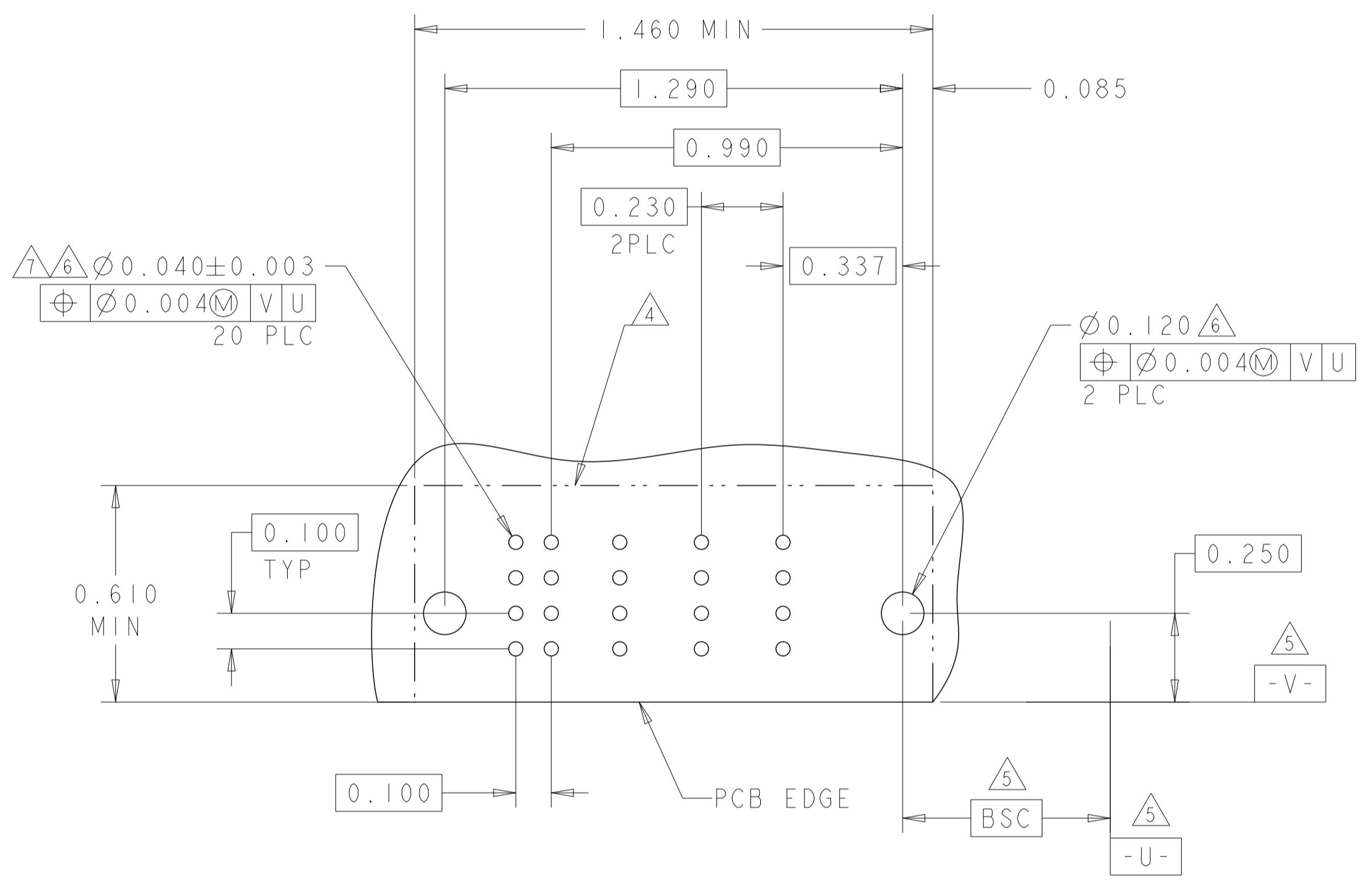
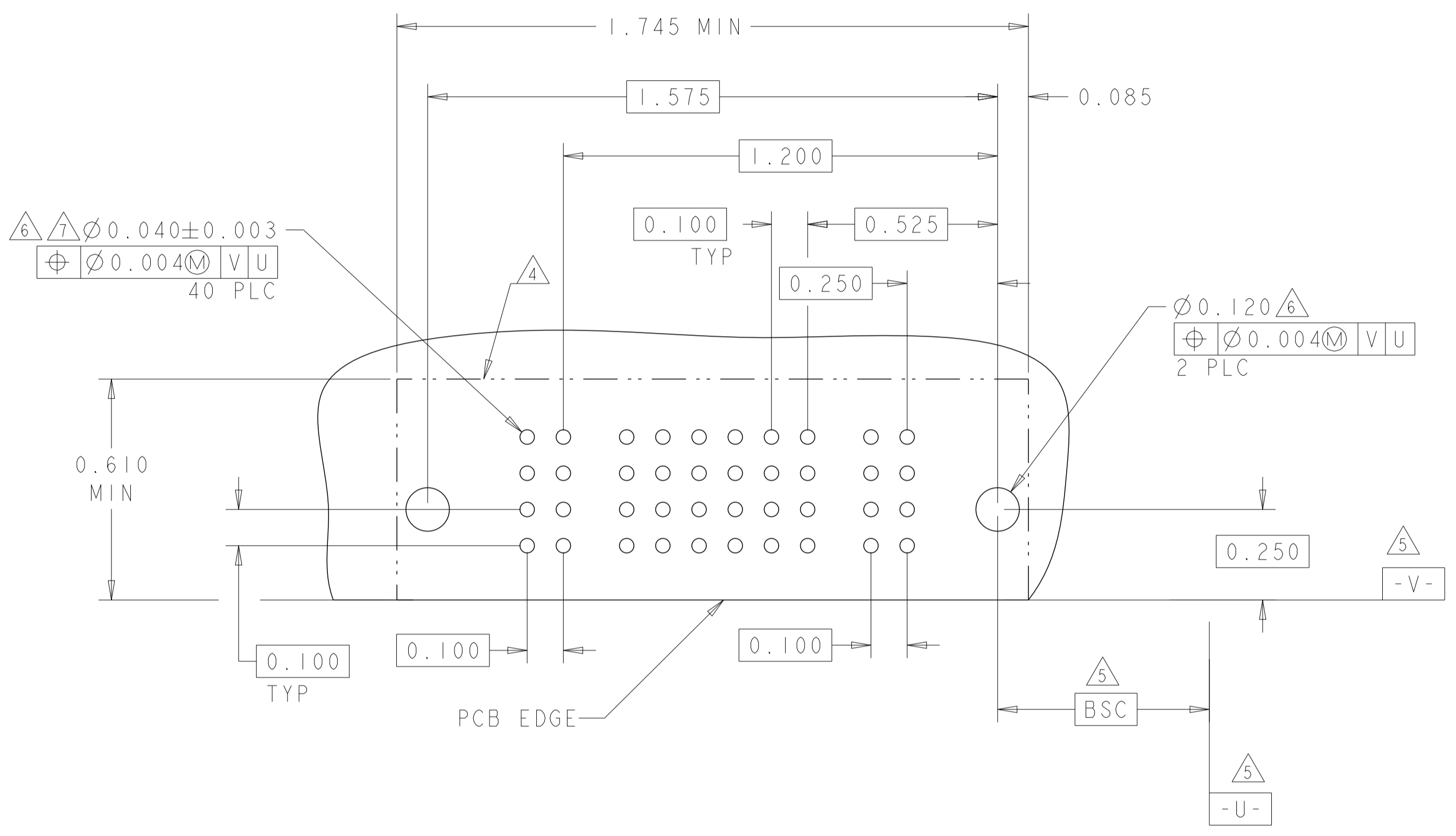
PCB LAYOUT FOR P/N: 6450880-4 ; 6450880-8 AND 2-6450880-3

Controlled document information block including: DIMENSIONS INCHES, TOLERANCES UNLESS OTHERWISE SPECIFIED, MATERIAL, FINISH, DWN S. ZHAO 25MAY2007, CHK S. ZHAO 25MAY2007, APVD S. ZHAO 25MAY2007, NAME RIGHT ANGLE RECEPTACLE WITH LP CONTACT AND SHORT END MODULES MULTI-BEAM XLE, SIZE A100779, SCALE 2:1, SHEET 4 OF 15, REV F13.

LOC	DIST	REV	DATE	BY	APPV
ES	00				
DESCRIPTION			DATE	BY	APPV
SEE SHEET 1					

PART NUMBER	ROWS	POWER		SIGNAL						POWER	
		P2	P1	6	5	4	3	2	1	P2	P1
6450880-5	D	RS	D	D	D	D	D	D	D	RS	D
	C		C	C	C	C	C	C	C		
	B		B	B	B	B	B	B	B		
	A		A	A	A	A	A	A	A		
IP + 24S + IP											

PART NUMBER	ROWS	SIGNAL		POWER					
		2	1	LP6	LP5	LP4	LP3	LP2	LPI
6450880-6	D	D	D	LS	LS	LS	LS	LS	LS
	C	C							
	B	B							
	A	A							
6LP + 8S									



THIS DRAWING IS A CONTROLLED DOCUMENT.

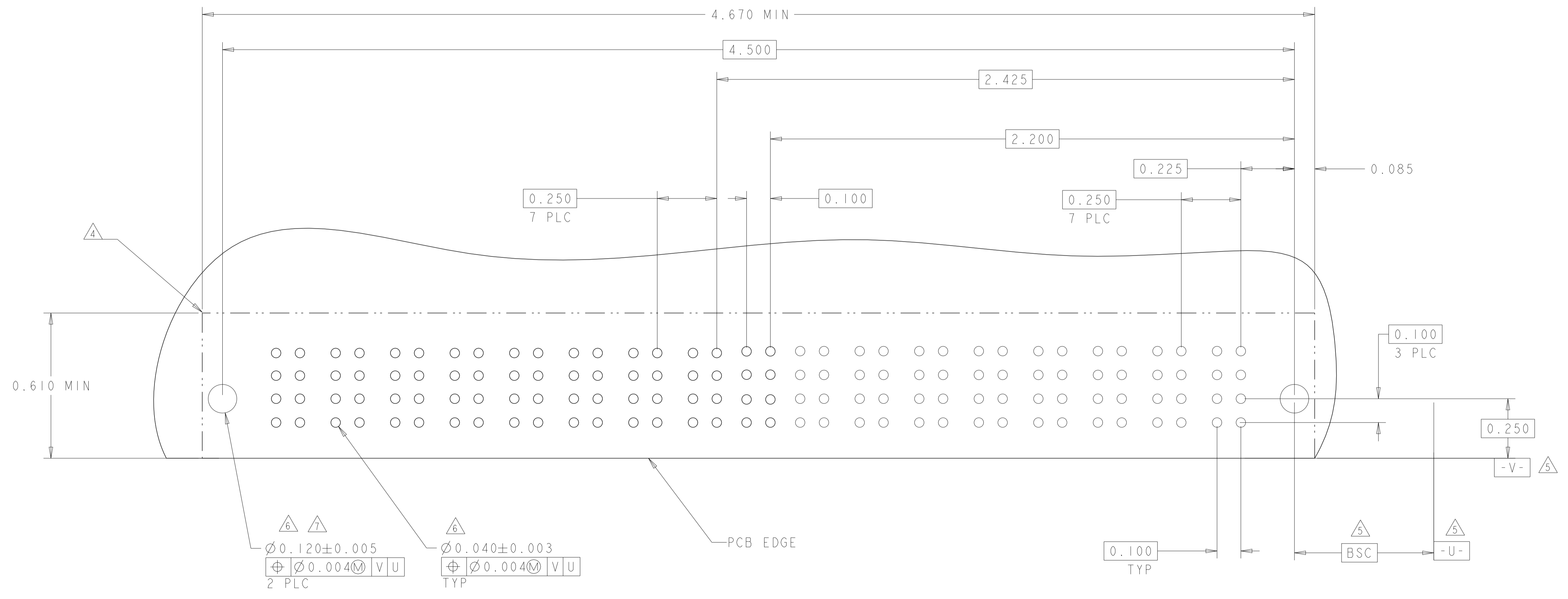
DIMENSIONS: INCHES	TOLERANCES UNLESS OTHERWISE SPECIFIED: 0 PLC ±.1 2 PLC ±.01 3 PLC ±.005 4 PLC ±.002 ANGLES ±.2° FINISH	OWN: S. ZHAO 25MAY2007 CHK: S. ZHAO 25MAY2007 APPV: S. ZHAO 25MAY2007	NAME: RIGHT ANGLE RECEPTACLE WITH LP CONTACT AND SHORT END MODULES MULTI-BEAM XLE
MATERIAL		PRODUCT SPEC: 108-2292 APPLICATION SPEC: 114-13251 WEIGHT	SIZE: A100779 C=6450880 SCALE: 4:1 SHEET 5 OF 15

TE Connectivity

CUSTOMER DRAWING

LOC	DIST	REVISIONS			
P	LTN	DESCRIPTION	DATE	DMN	APVD
-	-	SEE SHEET 1	-	-	-

PART NUMBER	ROWS	POWER									SIGNAL		POWER								
		P16	P15	P14	P13	P12	P11	P10	P9	2	1	P8	P7	P6	P5	P4	P3	P2	P1		
6450880-7	D	RS	RS	RS	RS	RS	RS	RS	RS	RS	D	D	RS	RS	RS	RS	RS	RS	RS		
	C										C										
	B										B										
	A										A										
8P + 8S + 8P																					



THIS DRAWING IS A CONTROLLED DOCUMENT.

DMN	S. ZHAO	25MAY2007
CHK	S. ZHAO	25MAY2007
APVD	S. ZHAO	25MAY2007

TE Connectivity

NAME: RIGHT ANGLE RECEPTACLE WITH LP CONTACT AND SHORT END MODULES MULTI-BEAM XLE

PRODUCT SPEC: 108-2292

APPLICATION SPEC: 114-13251

SIZE: A1

CAGE CODE: 100779

DRAWING NO: C=6450880

WEIGHT: -

CUSTOMER DRAWING

SCALE: 4:1

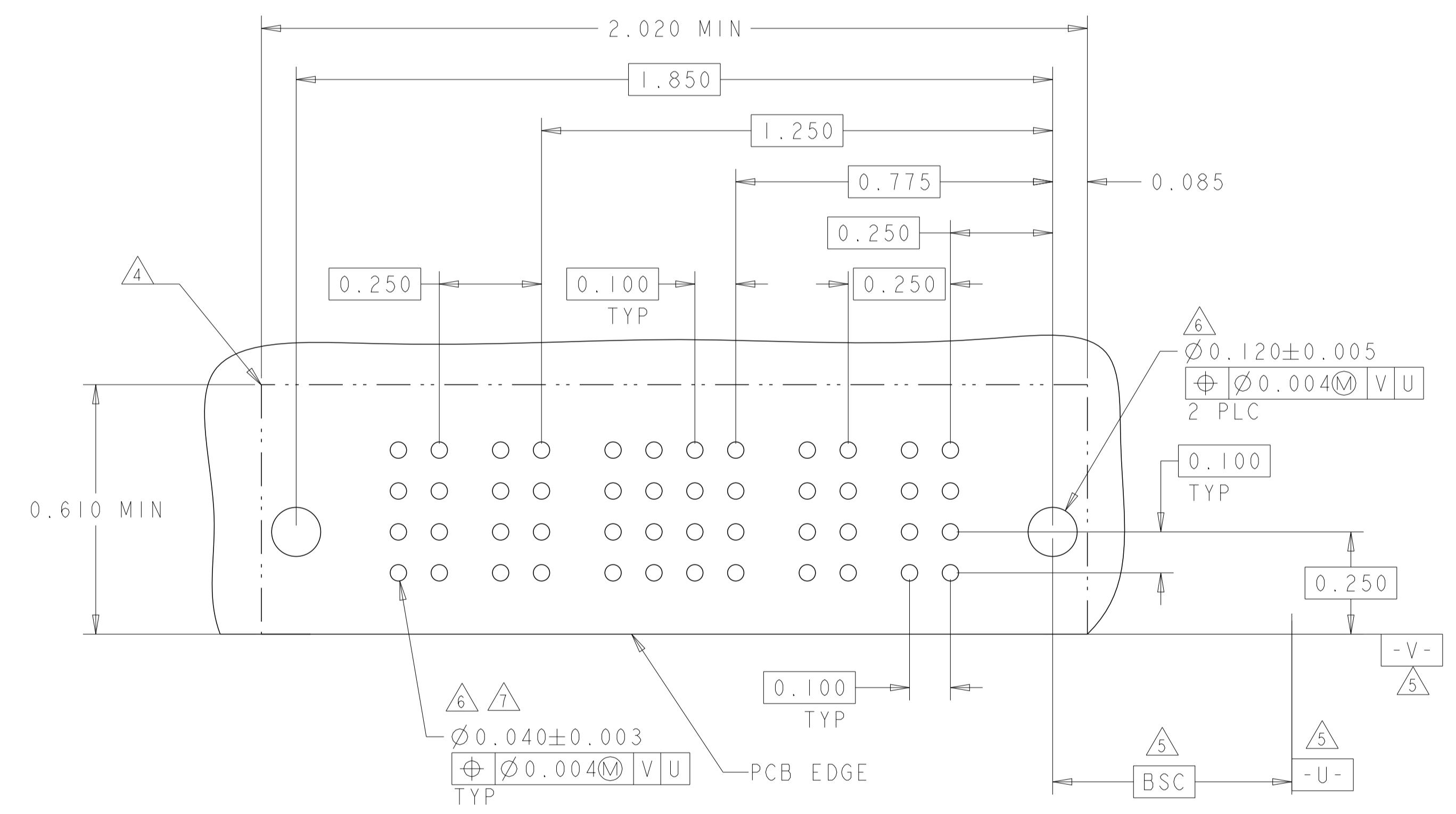
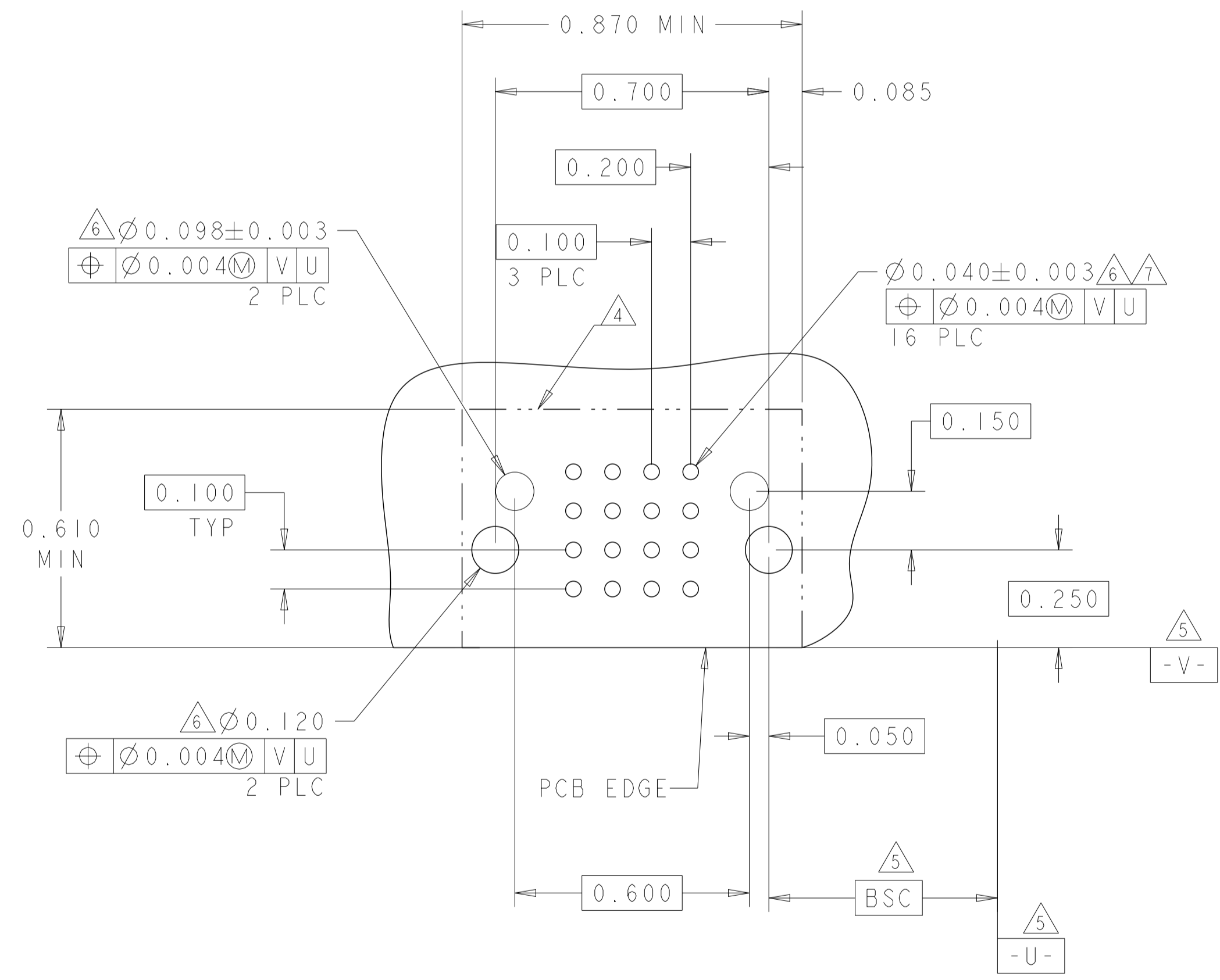
SHEET: 6 OF 15

REV: 13

LOC	DIST	REVISIONS			
P	LTN	DESCRIPTION	DATE	DMN	APVD
-	-	SEE SHEET 1	-	-	-

PART NUMBER	ROWS	SIGNAL			
		4	3	2	1
1-6450880-0	D	D	D	D	D
	C	C	C	C	C
	B	B	B	B	B
	A	A	A	A	A
16S		HD			HD

PART NUMBER	ROWS	POWER		SIGNAL				POWER	
		P4	P3	4	3	2	1	P2	P1
1-6450880-5	D	RS	RS	D	D	D	D	RS	RS
	C			C	C	C			
	B			B	B	B			
	A			A	A	A			
2P + 16S + 2P									



THIS DRAWING IS A CONTROLLED DOCUMENT.

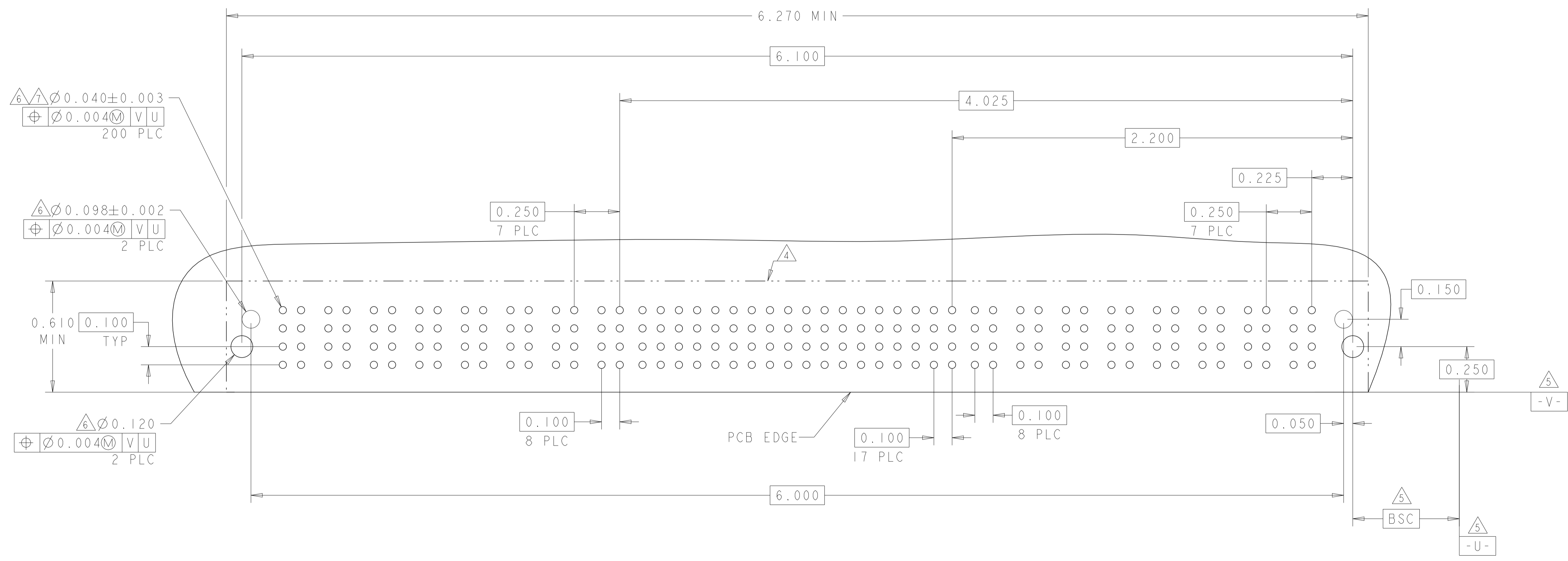
DIMENSIONS: INCHES	TOLERANCES UNLESS OTHERWISE SPECIFIED:	DMN S. ZHAO 25MAY2007	CHK S. ZHAO 25MAY2007	APVD S. ZHAO 25MAY2007	NAME
0 PLC ±.1	1 PLC ±.01	PRODUCT SPEC	RIGHT ANGLE RECEPTACLE WITH LP CONTACT AND SHORT END MODULES MULTI-BEAM XLE		
2 PLC ±.05	3 PLC ±.005	APPLICATION SPEC	SIZE	CAGE CODE	DRAWING NO
4 PLC ±.0020	ANGLES ±2°	FINISH	A1	00779	6450880
MATERIAL		WEIGHT	CUSTOMER DRAWING		

TE Connectivity

SCALE 4:1 SHEET 7 OF 15

PART NUMBER	ROWS	POWER							SIGNAL																POWER															
		P16	P15	P14	P13	P12	P11	P10	P9	18	17	16	15	14	13	12	11	10	9	8	7	6	5	4	3	2	1	P8	P7	P6	P5	P4	P3	P2	P1					
I-6450880-1	D	RP	RS	RS	RS	RS	RS	RS	D	D	D	D	D	D	D	D	D	D	D	D	D	D	D	D	D	D	D	D	RS	RS	RS	RS	RS	RS	RS	RP				
	C								C	C	C	C	C	C	C	C	C	C	C	C	C	C	C	C	C	C	C	C	C	C	C	C	C	C	C	C	C	C	C	
	B								B	B	B	B	B	B	B	B	B	B	B	B	B	B	B	B	B	B	B	B	B	B	B	B	B	B	B	B	B	B	B	B
	A								A	A	A	A	A	A	A	A	A	A	A	A	A	A	A	A	A	A	A	A	A	A	A	A	A	A	A	A	A	A	A	A

8P + 72S + 8P



6 Δ ϕ 0.040 ± 0.003
 \oplus ϕ 0.004 M V U
 200 PLC

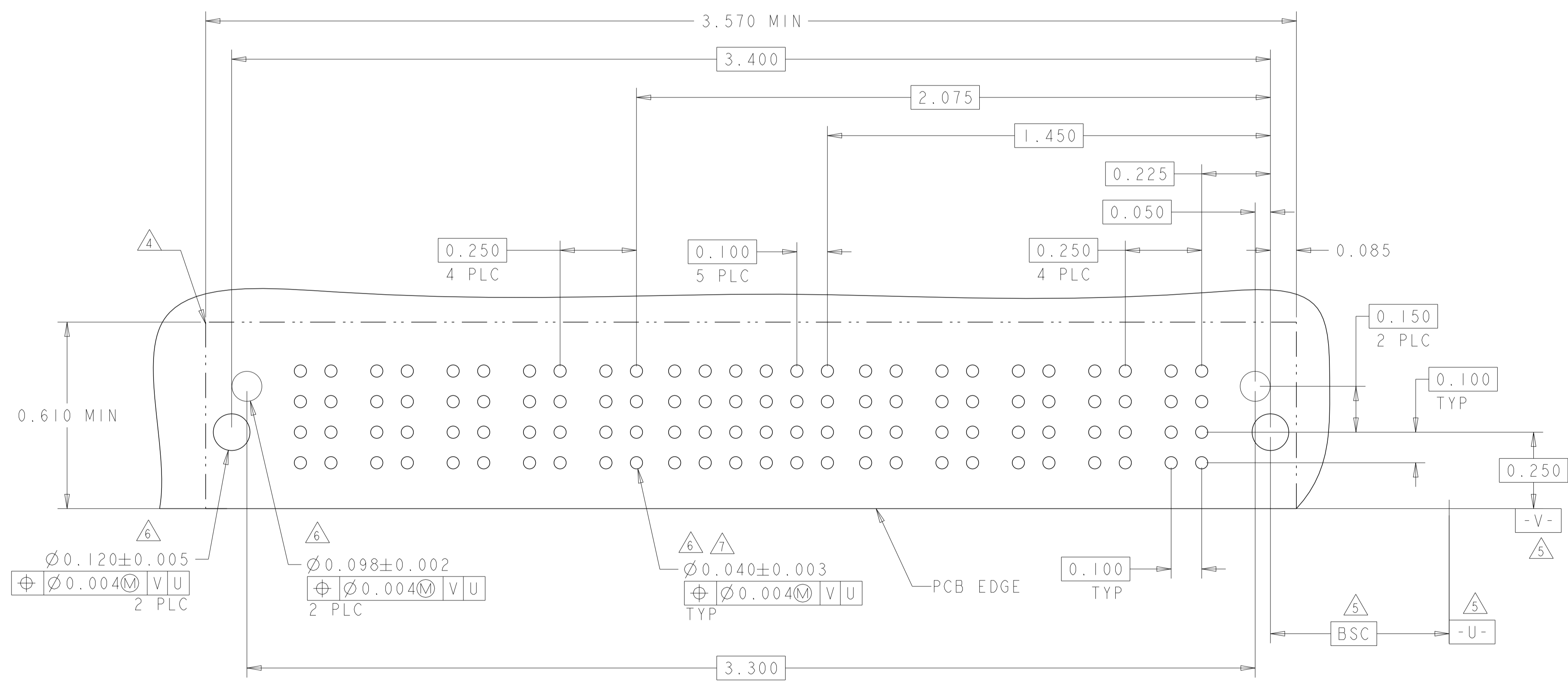
6 Δ ϕ 0.098 ± 0.002
 \oplus ϕ 0.004 M V U
 2 PLC

6 Δ ϕ 0.120
 \oplus ϕ 0.004 M V U
 2 PLC

THIS DRAWING IS A CONTROLLED DOCUMENT.		DWN S. ZHAO 25MAY2007	
DIMENSIONS: INCHES		CHK S. ZHAO 25MAY2007	
TOLERANCES UNLESS OTHERWISE SPECIFIED:		APVD S. ZHAO 25MAY2007	NAME RIGHT ANGLE RECEPTACLE WITH LP CONTACT AND SHORT END MODULES MULTI-BEAM XLE
0 PLC ±.1 1 PLC ±.1 2 PLC ±.01 3 PLC ±.005 4 PLC ±.0020 ANGLES ±2° FINISH		PRODUCT SPEC 108-2292 APPLICATION SPEC 114-13251 WEIGHT CUSTOMER DRAWING	
MATERIAL		SCALE 4:1	RESTRICTED TO
SIZE A1 CAGE CODE 100779 DRAWING NO C=6450880		SHEET 8 OF 15	REV F13

LOC	DIST	REVISIONS			
P	LTN	DESCRIPTION	DATE	OWN	APVD
-	-	SEE SHEET 1	-	-	-

PART NUMBER	ROWS	POWER					SIGNAL						POWER				
		P10	P9	P8	P7	P6	6	5	4	3	2	1	P5	P4	P3	P2	P1
1-6450880-7	D C B A	RS	RS	RS	RS	RS	D	D	D	D	D	D	RS	RS	RS	RS	RS
							C	C	C	C	C	C					
							B	B	B	B	B	B					
							A	A	A	A	A	A					
5P + 24S + 5P		HD															



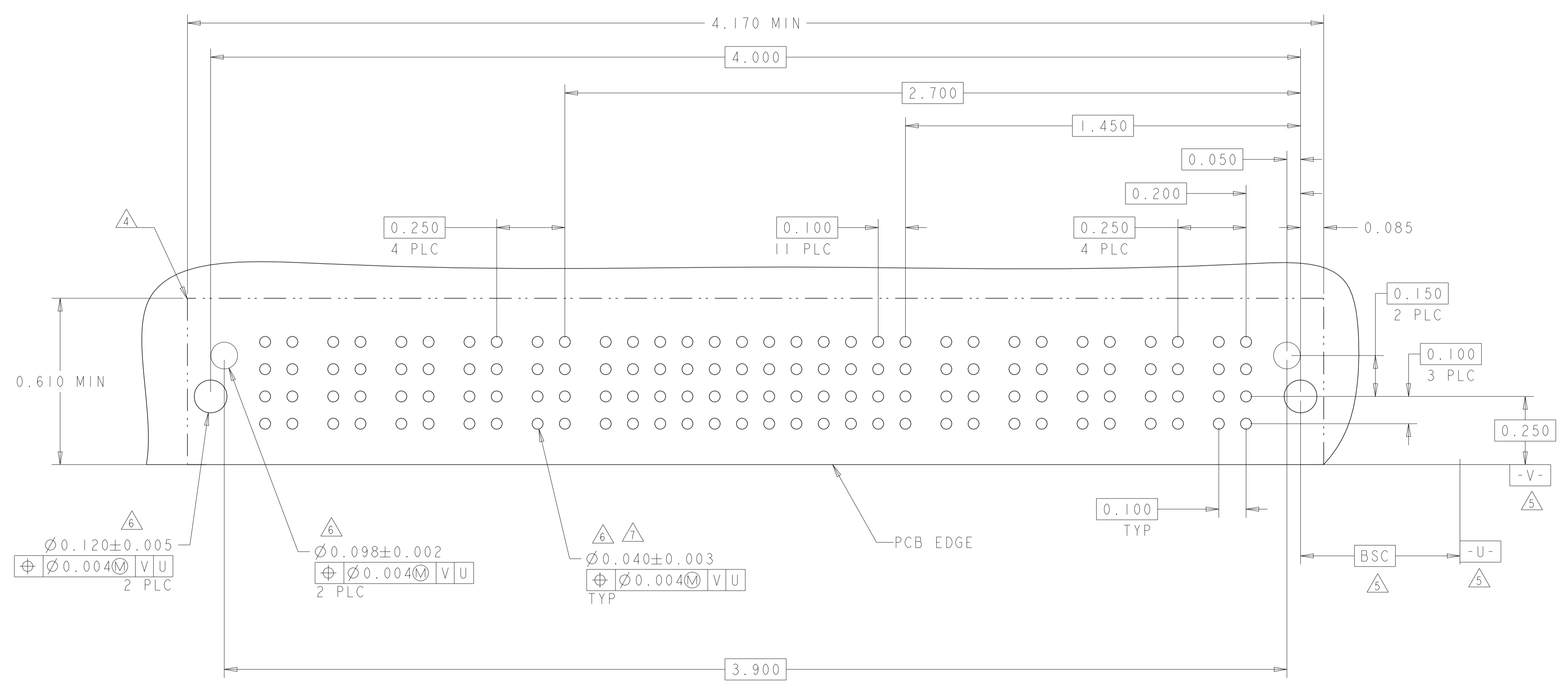
THIS DRAWING IS A CONTROLLED DOCUMENT.

DWN: S. ZHAO	25MAY2007	 TE Connectivity
CHK: S. ZHAO	25MAY2007	
APPV: S. ZHAO	25MAY2007	
NAME: S. ZHAO	25MAY2007	

DIMENSIONS: INCHES	TOLERANCES UNLESS OTHERWISE SPECIFIED:	NAME: RIGHT ANGLE RECEPTACLE WITH LP CONTACT AND SHORT END MODULES MULTI-BEAM XLE
0 PLC ±.1	1 PLC ±.1	PRODUCT SPEC: 108-2292
2 PLC ±.01	3 PLC ±.005	APPLICATION SPEC: 114-13251
4 PLC ±.0020	ANGLES ±2°	SIZE: A100779
MATERIAL: -	FINISH: -	WEIGHT: -
CUSTOMER DRAWING		SCALE: 4:1 SHEET 9 OF 15

LOC	DIST	REVISIONS					
		P	LTN	DESCRIPTION	DATE	OWN	APVD
ES	00	-	-	SEE SHEET 1	-	-	-

PART NUMBER	ROWS	POWER					SIGNAL										POWER											
		P10	P9	P8	P7	P6	12	11	10	9	8	7	6	5	4	3	2	1	P5	P4	P3	P2	P1					
I-6450880-8	D C B A	RS	RS	RS	RS	RS	D	D	D	D	D	D	D	D	D	D	D	D	D	D	RS	RS	RS	RS	RS			
							C	C	C	C	C	C	C	C	C	C	C	C	C	C						C	C	
							B	B	B	B	B	B	B	B	B	B	B	B	B	B						B	B	B
							A	A	A	A	A	A	A	A	A	A	A	A	A	A						A	A	A
5P + 48S + 5P																												

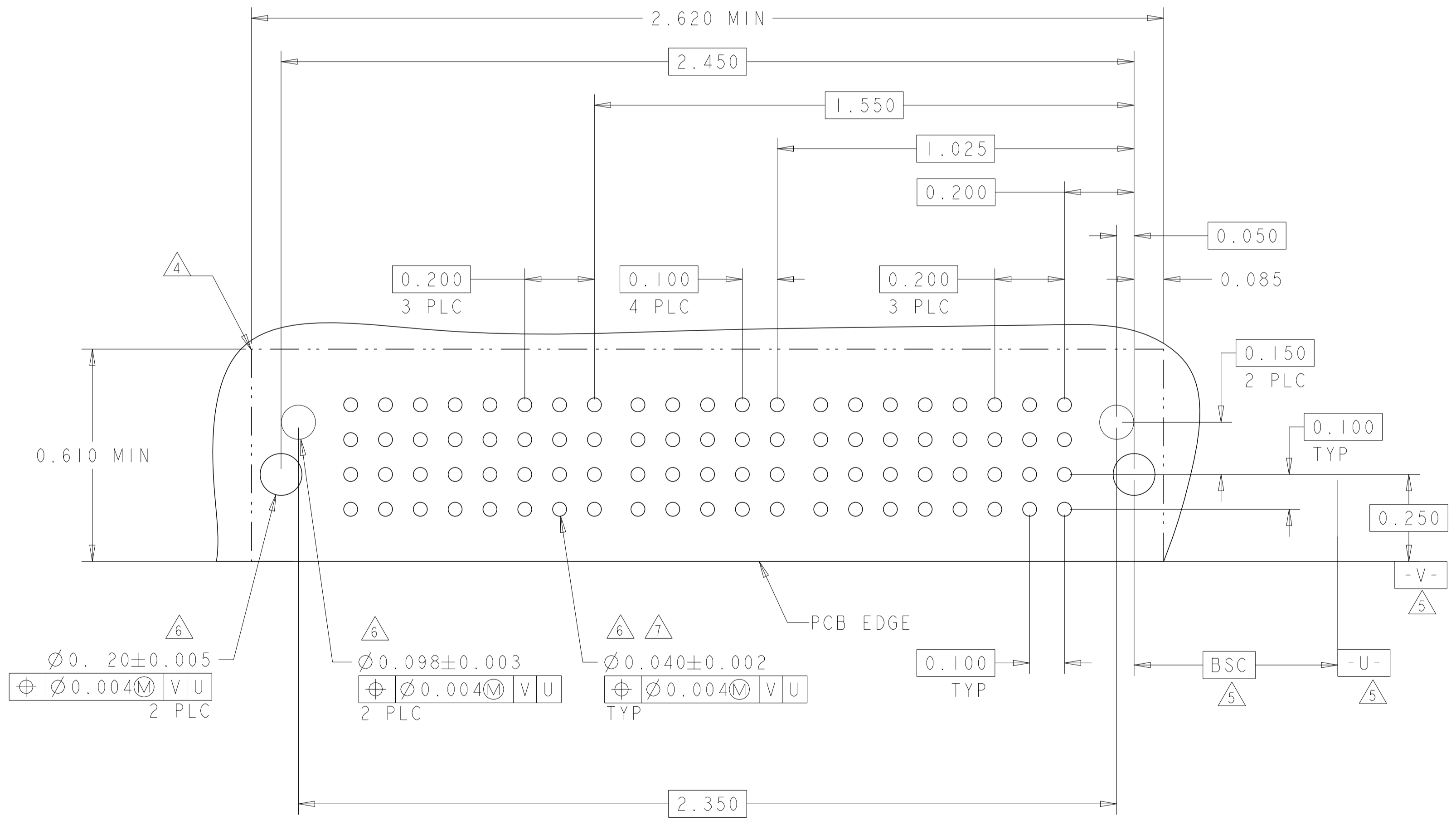


THIS DRAWING IS A CONTROLLED DOCUMENT.

OWN: S. ZHAO	25MAY2007	TE Connectivity
CHK: S. ZHAO	25MAY2007	
APVD: S. ZHAO	25MAY2007	
NAME: RIGHT ANGLE RECEPTACLE WITH LP CONTACT AND SHORT END MODULES MULTI-BEAM XLE		
DIMENSIONS: INCHES	TOLERANCES UNLESS OTHERWISE SPECIFIED:	PRODUCT SPEC: 108-2292 APPLICATION SPEC: 114-13251 SIZE: A1 CAGE CODE: 00779 DRAWING NO: C=6450880 RESTRICTED TO: CUSTOMER DRAWING
0 PLC ±. 1 PLC ±.1 2 PLC ±.01 3 PLC ±.005 4 PLC ±.0020 ANGLES ±2° FINISH:	WEIGHT: SCALE: 4:1 SHEET: 10 OF 15 REV: F13	

LOC	DIST	REVISIONS					
		P	LTN	DESCRIPTION	DATE	DMN	APVD
ES	00	-	-	SEE SHEET 1	-	-	-

PART NUMBER	ROWS		POWER				SIGNAL					POWER				
			P8	P7	P6	P5	5	4	3	2	1	P4	P3	P2	P1	
1-6450880-9	D C B A	HD	RS	RS	RS	RS	D	D	D	D	D	RS	RS	RS	RS	HD
							C	C	C	C	C					
							B	B	B	B	B					
							A	A	A	A	A					
4HDP + 20S + 4HDP																



THIS DRAWING IS A CONTROLLED DOCUMENT.

DIMENSIONS: INCHES	TOLERANCES UNLESS OTHERWISE SPECIFIED:	DMN S. ZHAO 25MAY2007	CHK S. ZHAO 25MAY2007	APVD S. ZHAO 25MAY2007	NAME
	0 PLC ±. 1 PLC ±.1 2 PLC ±.01 3 PLC ±.005 4 PLC ±.002 ANGLES ±2°	PRODUCT SPEC	108-2292	APPLICATION SPEC	114-13251
MATERIAL	FINISH	WEIGHT	SCALE 4:1	SHEET 11 OF 15	REV F 13

STE TE Connectivity

RIGHT ANGLE RECEPTACLE WITH LP CONTACT AND SHORT END MODULES MULTI-BEAM XLE

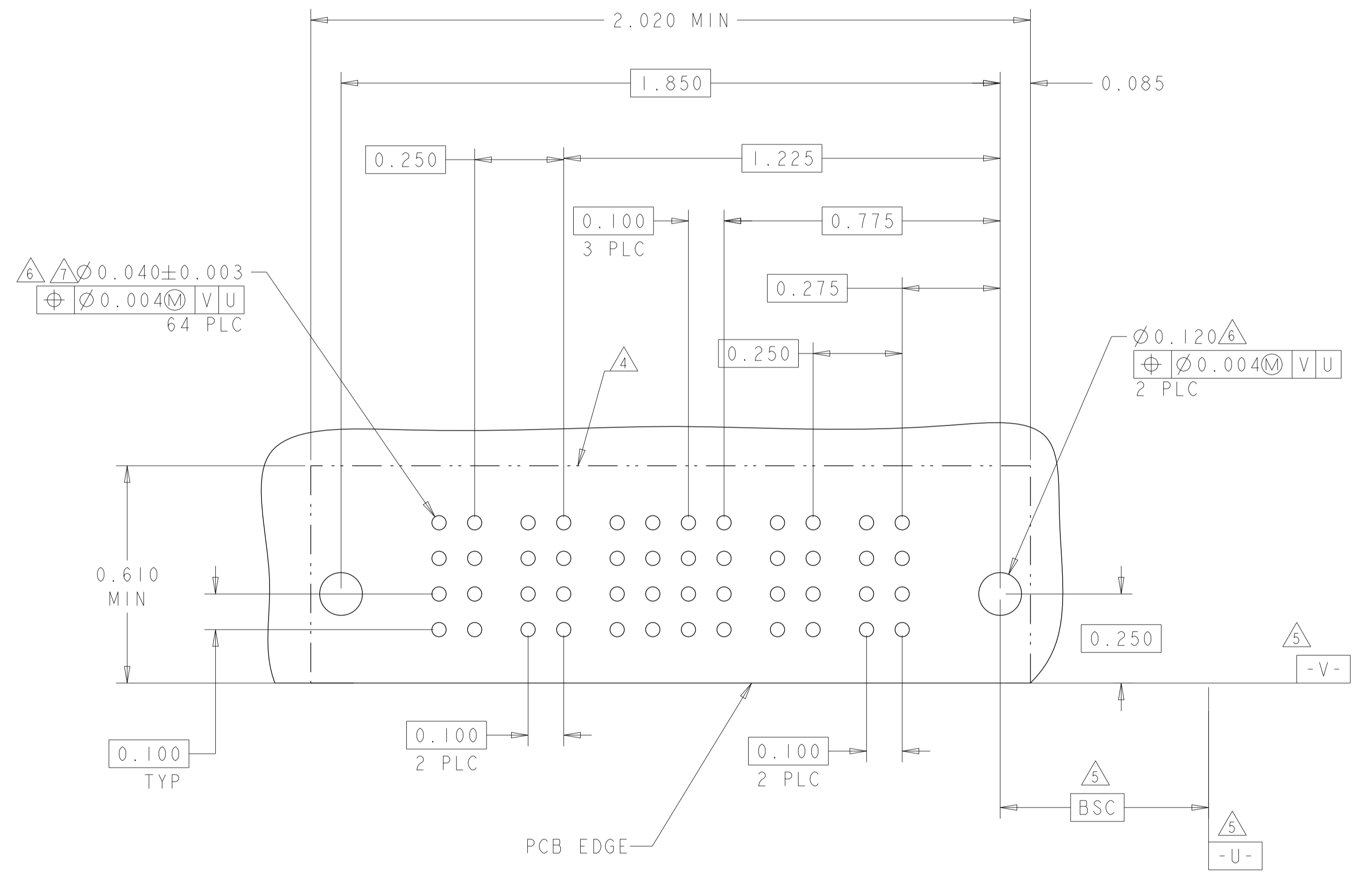
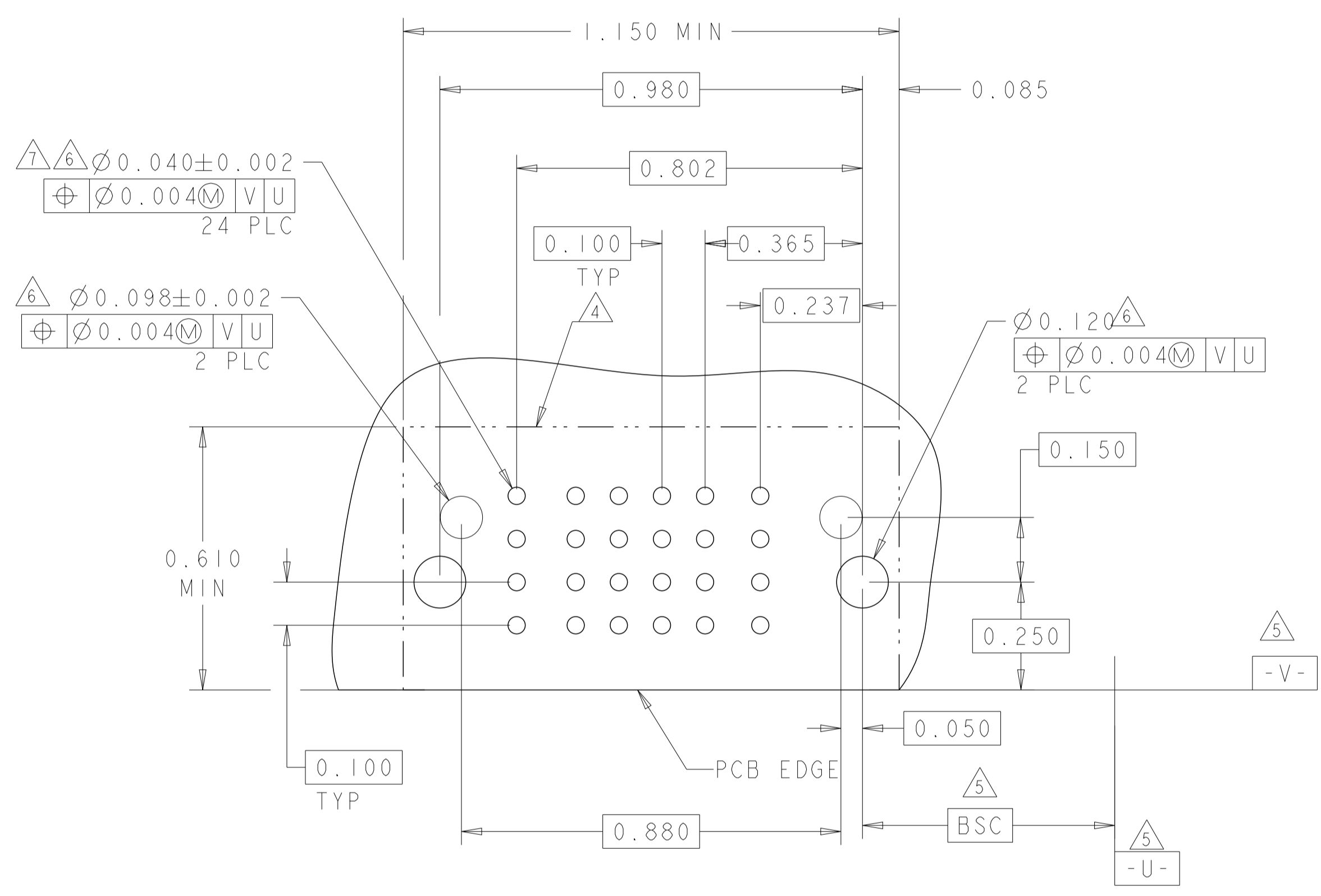
SIZE CAGE CODE DRAWING NO. RESTRICTED TO
 A100779C=6450880

CUSTOMER DRAWING

LOC		DIST		REVISIONS			
P	LTN	DESCRIPTION	DATE	DMN	APVD		
-	-	SEE SHEET 1	-	-	-		

PART NUMBER	ROWS		POWER				SIGNAL				POWER	
			P2	4	3	2	1	P1				
2-6450880-0	D	HD	LS	D	D	D	D	LS	HD			
	C			C	C	C						
	B			B	B	B						
	A			A	A	A						
ILP + 16S + ILP												

PART NUMBER	ROWS		POWER		SIGNAL				POWER	
			P4	P3	4	3	2	1	P2	P1
2-6450880-6	D	HD	RS	RS	D	D	D	D	RS	RS
	C				C	C	C			
	B				B	B	B			
	A				A	A	A			
2P + 16S + 2P										



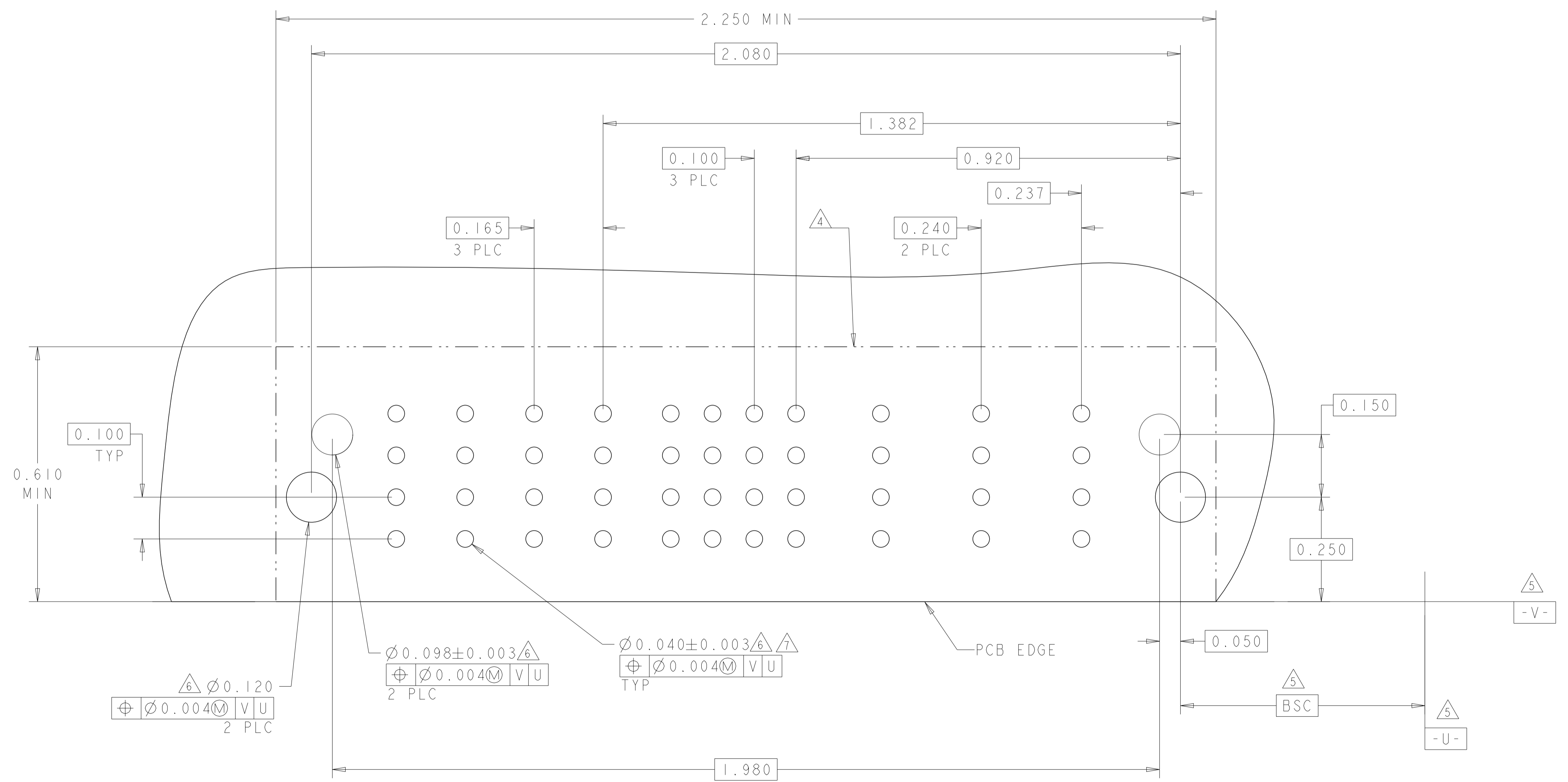
THIS DRAWING IS A CONTROLLED DOCUMENT.

DIMENSIONS: INCHES	TOLERANCES UNLESS OTHERWISE SPECIFIED: 0 PLC ±.1 1 PLC ±.1 2 PLC ±.01 3 PLC ±.005 4 PLC ±.002 ANGLES ±.2° FINISH	DMN S.ZHAO 25MAY2007 CHK S.ZHAO 25MAY2007 APVD S.ZHAO 25MAY2007	NAME RIGHT ANGLE RECEPTACLE WITH LP CONTACT AND SHORT END MODULES MULTI-BEAM XLE
MATERIAL	FINISH	PRODUCT SPEC 108-2292 APPLICATION SPEC 114-13251 WEIGHT	SIZE CAGE CODE DRAWING NO A100779C=6450880
CUSTOMER DRAWING		SCALE 4:1	SHEET 12 OF 15 REV F13

4805 (3/11)

LOC	DIST	REVISIONS					
		P	LTN	DESCRIPTION	DATE	DMN	APVD
ES	00	-	-	SEE SHEET 1	-	-	-

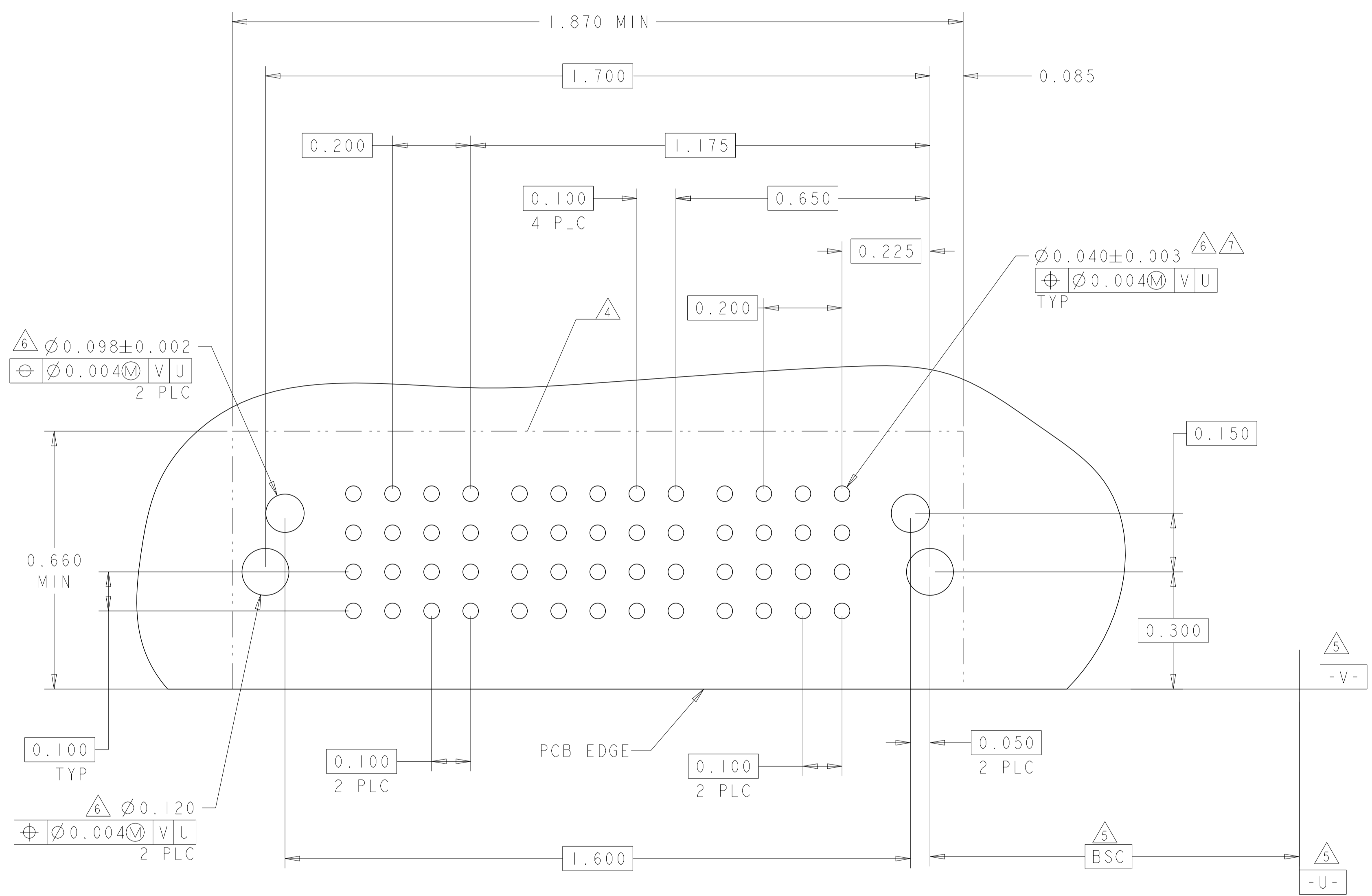
PART NUMBER	ROWS	POWER				SIGNAL				POWER		
		LP7	LP6	LP5	LP4	4	3	2	1	LP3	LP2	LP1
2-6450880-7	D	LS	LS	LS	LS	D	D	D	D	LS	LS	LS
	C					C	C	C				
	B					B	B	B				
	A					A	A	A				
3LP + 16S + 4LP		HD										



THIS DRAWING IS A CONTROLLED DOCUMENT.		DMN S. ZHAO 25MAY2007	TE Connectivity
DIMENSIONS: INCHES		CHK S. ZHAO 25MAY2007	
TOLERANCES UNLESS OTHERWISE SPECIFIED:		APVD S. ZHAO 25MAY2007	NAME RIGHT ANGLE RECEPTACLE WITH LP CONTACT AND SHORT END MODULES MULTI-BEAM XLE PRODUCT SPEC 108-2292 APPLICATION SPEC 114-13251 WEIGHT - SCALE 4:1 SHEET 13 OF 15 REV F 13
0 PLC ±. 1 PLC ±.1 2 PLC ±.01 3 PLC ±.005 4 PLC ±.002 ANGLES ±2° FINISH -		RESTRICTED TO SIZE CAGE CODE DRAWING NO A100779C=6450880	
MATERIAL -		CUSTOMER DRAWING	

LOC	DIST	REVISIONS			
P	LTN	DESCRIPTION	DATE	DMN	APVD
ES	00	SEE SHEET 1			

PART NUMBER	ROWS	POWER		SIGNAL					POWER	
		P4	P3	5	4	3	2	1	P2	P1
2-6450880-9	D	RS	RS	D	D	D	D	D	RS	RS
	C			C	C	C	C			
	B			B	B	B	B			
	A			A	A	A	A			
2P + 20S + 2P		HD							HD	

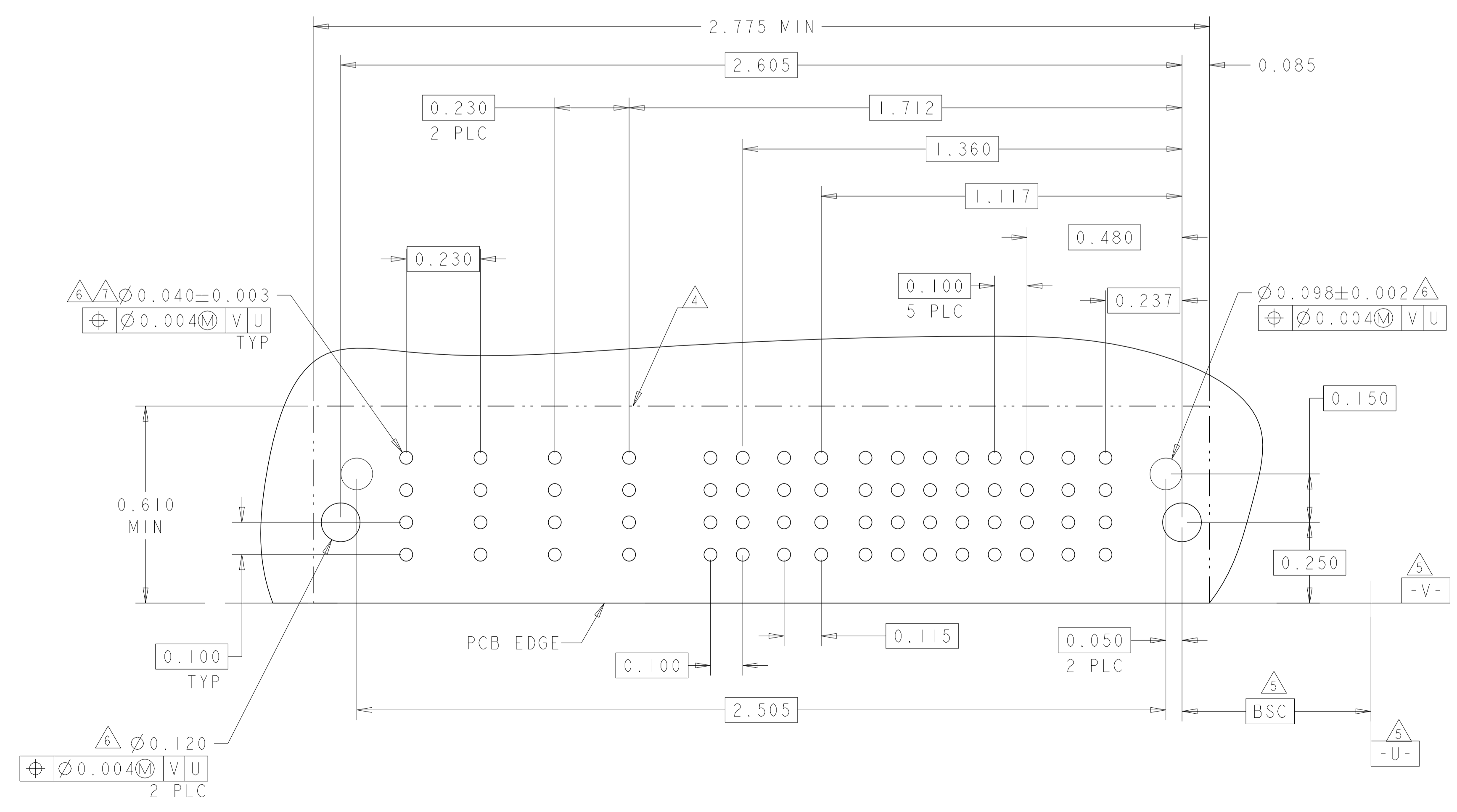
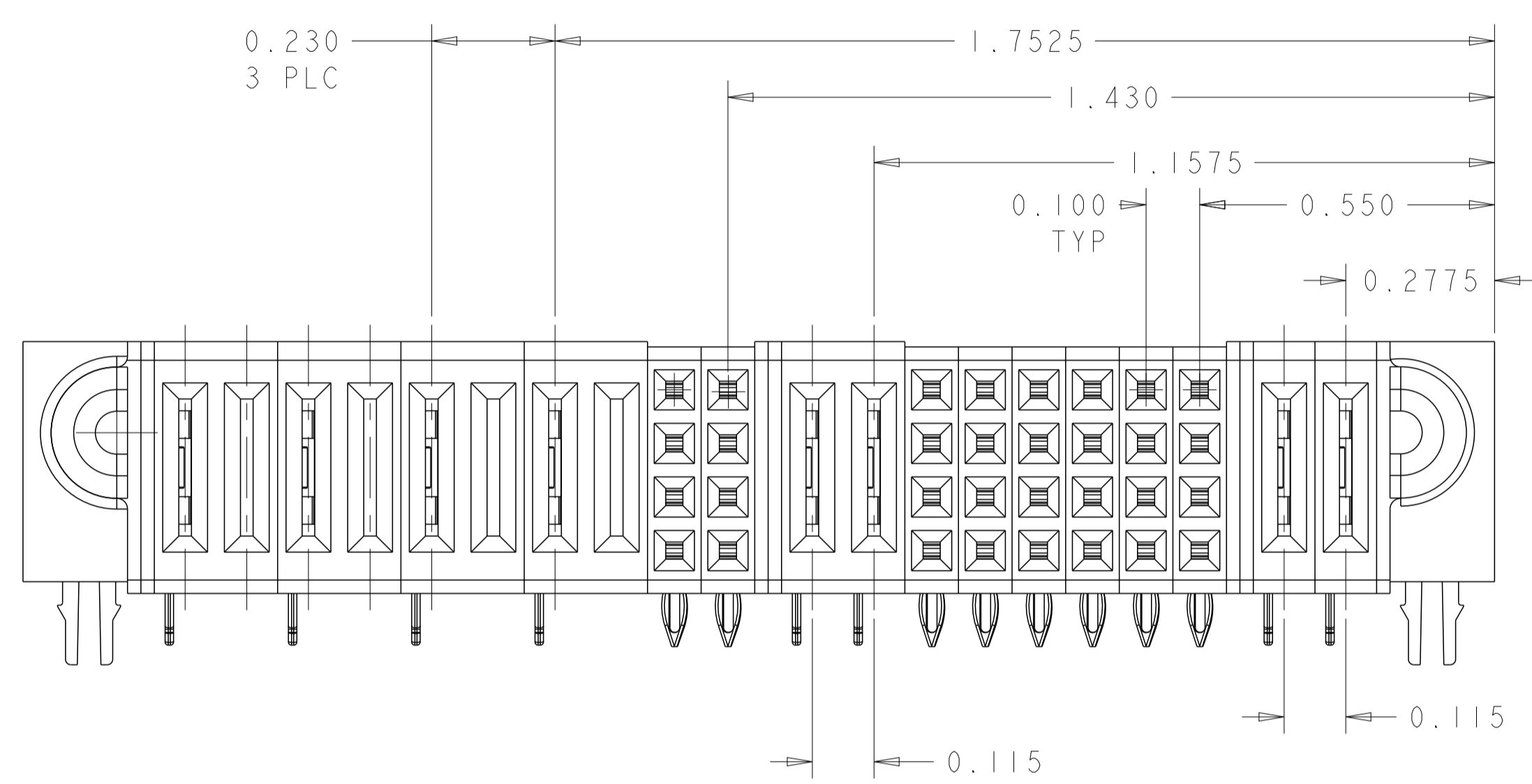


THIS DRAWING IS A CONTROLLED DOCUMENT.		DMN S. ZHAO 25MAY2007		TE Connectivity	
DIMENSIONS: INCHES		CHK S. ZHAO 25MAY2007		NAME RIGHT ANGLE RECEPTACLE WITH LP CONTACT AND SHORT END MODULES MULTI-BEAM XLE	
TOLERANCES UNLESS OTHERWISE SPECIFIED:		APVD S. ZHAO 25MAY2007	PRODUCT SPEC 108-2292		
0 PLC ±.1		APPLICATION SPEC 114-13251			
1 PLC ±.1		SIZE CAGE CODE DRAWING NO. A100779C=6450880			
2 PLC ±.01		RESTRICTED TO			
3 PLC ±.005		SCALE 4:1 SHEET 14 OF 15 REV F13			
4 PLC ±.0020		CUSTOMER DRAWING			
ANGLES ±.2°					
FINISH					

LOC	DIST	REVISIONS					
		P	LTH	DESCRIPTION	DATE	DWN	APVD
ES	00	-	-	SEE SHEET 1	-	-	-

PART NUMBER	ROWS	LOW POWER								SIGNAL		LOW POWER					SIGNAL		LP	
		LP12	LP11	LP10	LP9	LP8	LP7	LP6	LP5	8	7	LP4	LP3	6	5	4	3	2	1	LP2
3-6450880-0	D	LS	LS	LS	LS	LS	LS	LS	D	D	LS	LS	D	D	D	D	D	D	LS	LS
	C								C	C			C	C	C	C	C			
	B								B	B			B	B	B	B	B			
	A								A	A			A	A	A	A	A			

NO CONTACTS LOADED



THIS DRAWING IS A CONTROLLED DOCUMENT.		DWN S. ZHAO 25MAY2007	TE Connectivity
DIMENSIONS: INCHES		CHK S. ZHAO 25MAY2007	
TOLERANCES UNLESS OTHERWISE SPECIFIED: 0 PLC ±.1 1 PLC ±.01 2 PLC ±.01 3 PLC ±.005 4 PLC ±.002 ANGLES ±2°		APVD S. ZHAO 25MAY2007	NAME RIGHT ANGLE RECEPTACLE WITH LP CONTACT AND SHORT END MODULES MULTI-BEAM XLE
MATERIAL		PRODUCT SPEC 108-2292	SIZE CAGE CODE DRAWING NO. RESTRICTED TO
		APPLICATION SPEC 114-13251	A100779C=6450880
		WEIGHT	CUSTOMER DRAWING SCALE 4:1 SHEET 15 OF 15 REV F13