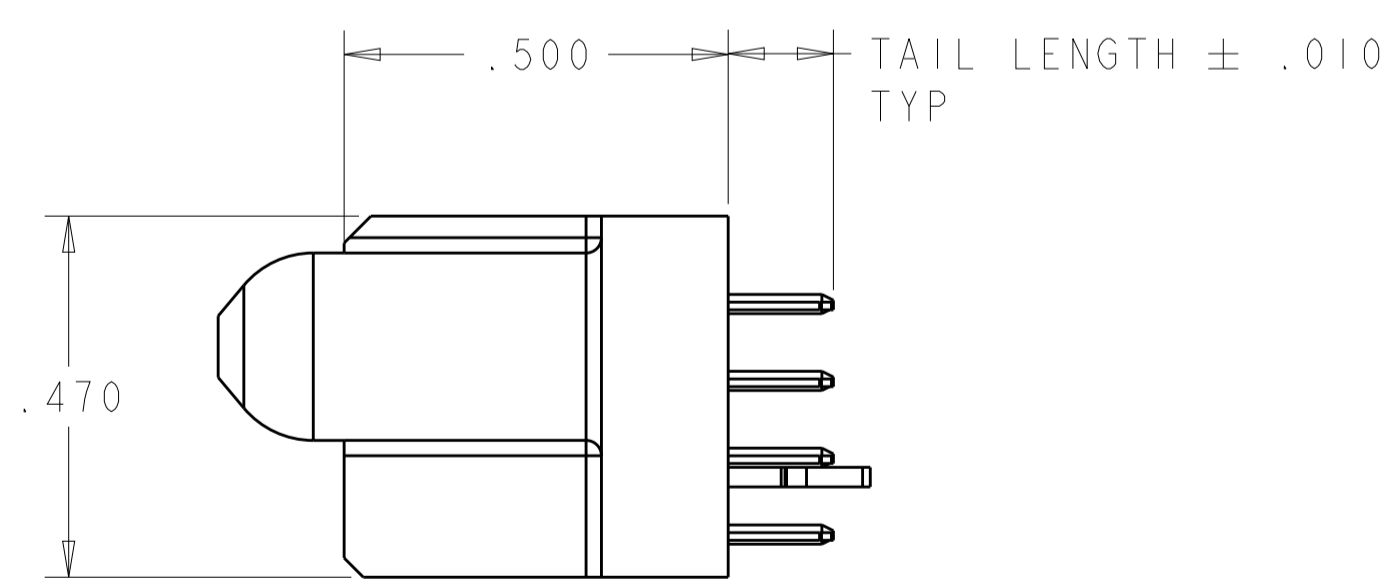
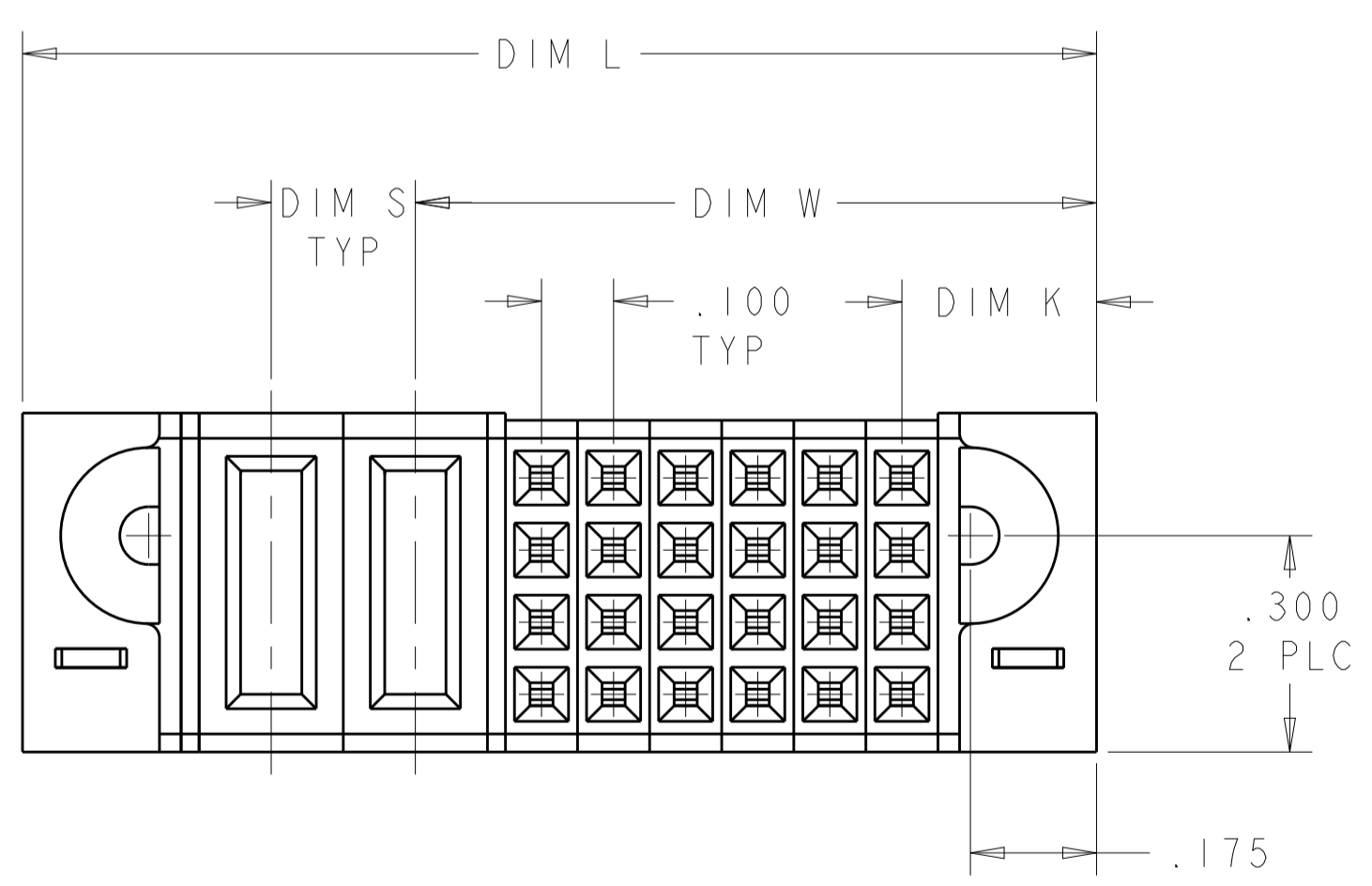
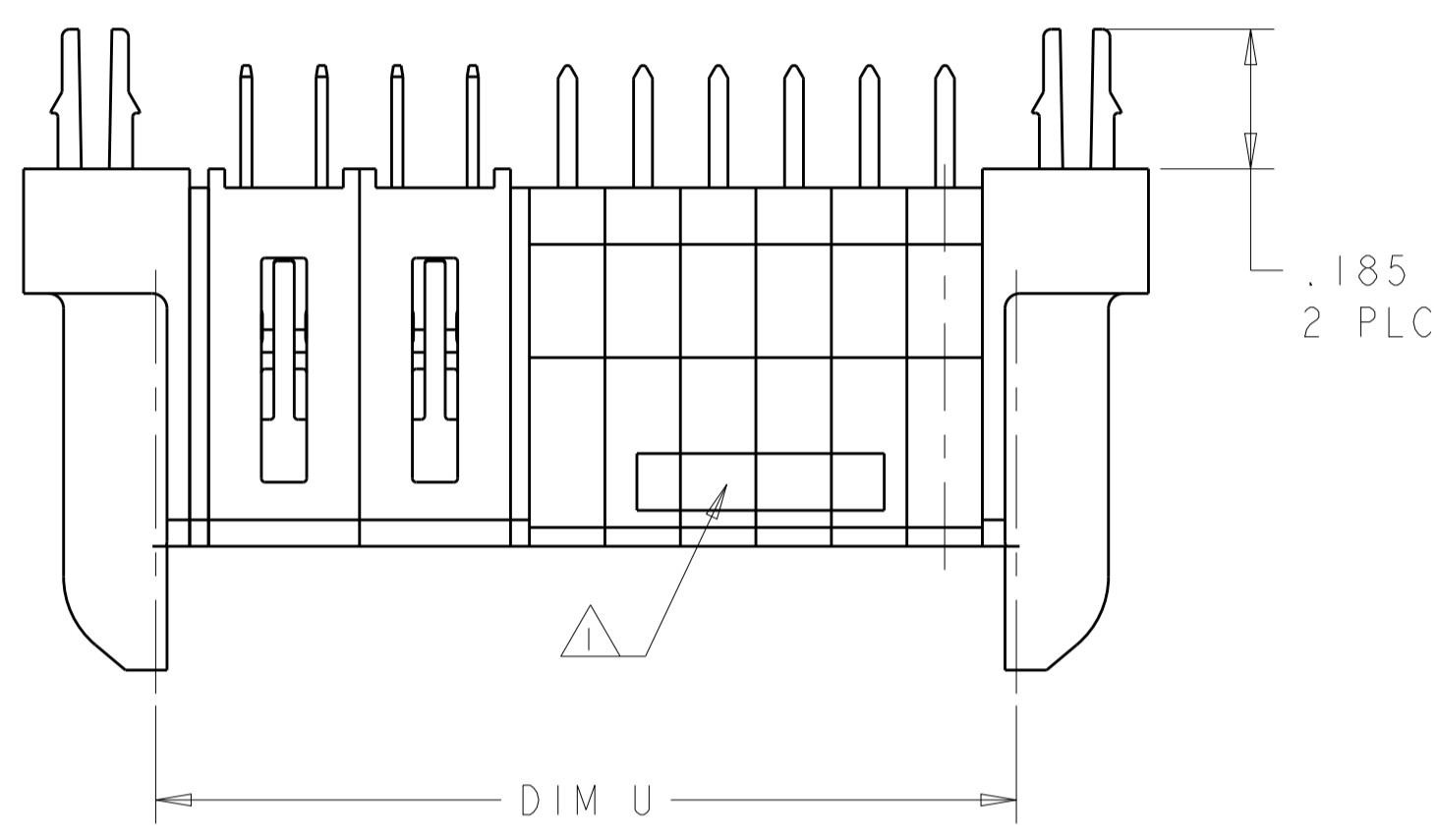
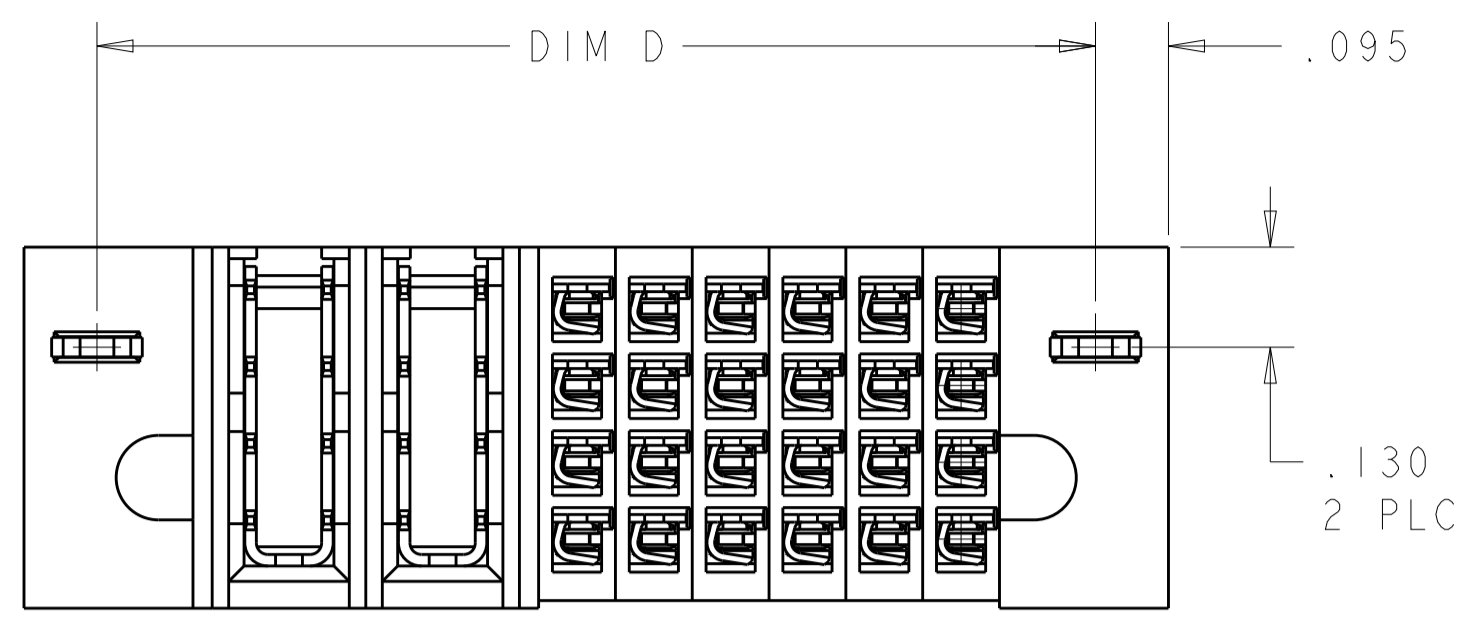


REVISIONS					
P	LTN	DESCRIPTION	DATE	DWN	APVD
B1		ADDED NEW DASH NUMBER -8	04NOV2014	CZ	SZ
B3		REV PER ECR-15-005264	08APR2015	CZ	SZ



- 1 "AMP", TRADEMARK, PART NUMBER AND DATE CODE TO BE MARKED IN AREA SHOWN
- 2 MATERIAL: HOUSING - GLASS FILLED HIGH TEMP THERMO PLASTIC, UL94 V-0, BLACK
SIGNAL CONTACT - HIGH CONDUCTIVITY COPPER ALLOY
POWER CONTACT - HIGH CONDUCTIVITY COPPER ALLOY
- 3 CONTACT PLATING: NOBLE METAL PLATING ON FUNCTIONAL AREA FOR SIGNAL AND POWER CONTACTS
- 4 MECHANICAL CONNECTOR KEEP OUT ZONE
- 5 DATUM AND BASIC DIMENSIONS ESTABLISHED BY CUSTOMER
- 6 PCB - ALL HOLE DIAMETERS ARE FINISHED HOLE SIZES
- 7 PCB - .0453 ± .0010 DRILLED HOLES PLATED WITH .0003 MIN Sn OVER .001 TO .003 CU PLATING TO ACHIEVE A .040 ± .003 DIA HOLE
- 8 VARIABLE DIMENSION, PLEASE SEE TABLE

.250	.945	3.040	2.690	2.850	.270	24S + 8P	6450851-9
-	-	.840	.490	.650	.270	16S	6450851-8
.250	3.120	4.040	3.690	3.850	.270	112S + 4HDP	6450851-6
.375	.995	4.365	4.015	4.175	.270	24S + 9P	6450851-4
.250	.945	3.040	2.690	2.850	.270	24S + 8P	6450851-3
△	1.995	4.640	4.290	4.450	.270	64S+4P+2HDP+5P	6450851-2
.250	1.145	4.740	4.390	4.550	.270	32S + 14P	6450851-1
DIM S	DIM W	DIM L	DIM U	DIM D	DIM K	DESCRIPTION	PART NUMBER

THIS DRAWING IS A CONTROLLED DOCUMENT.

DWN: ORANDO LI 15OCT2009
CHK: SUNY ZHAO 15OCT2009

APVD: S. YAO

NAME: VERTICAL RECEPTACLE ASSEMBLY, MULTI-BEAM XLE

PRODUCT SPEC: 108-1973
APPLICATION SPEC: 114-13038

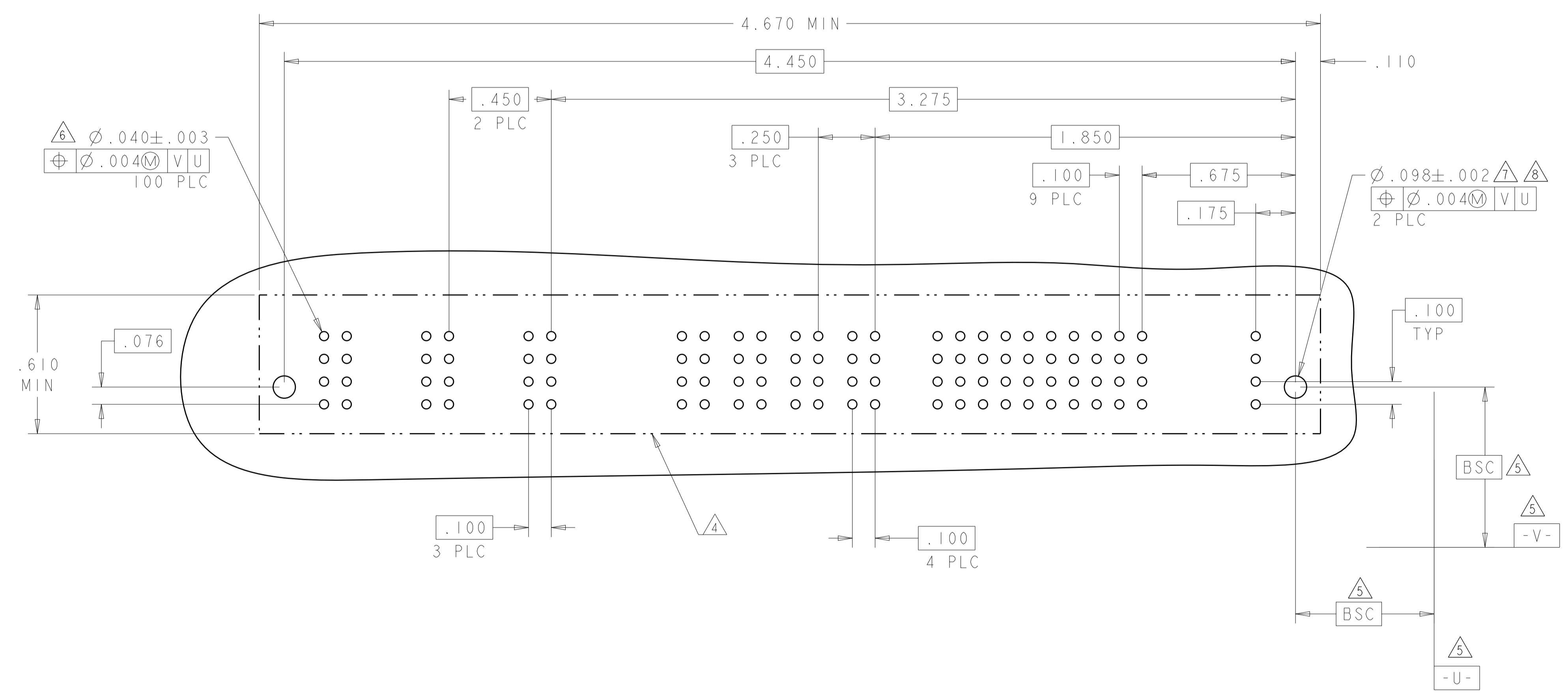
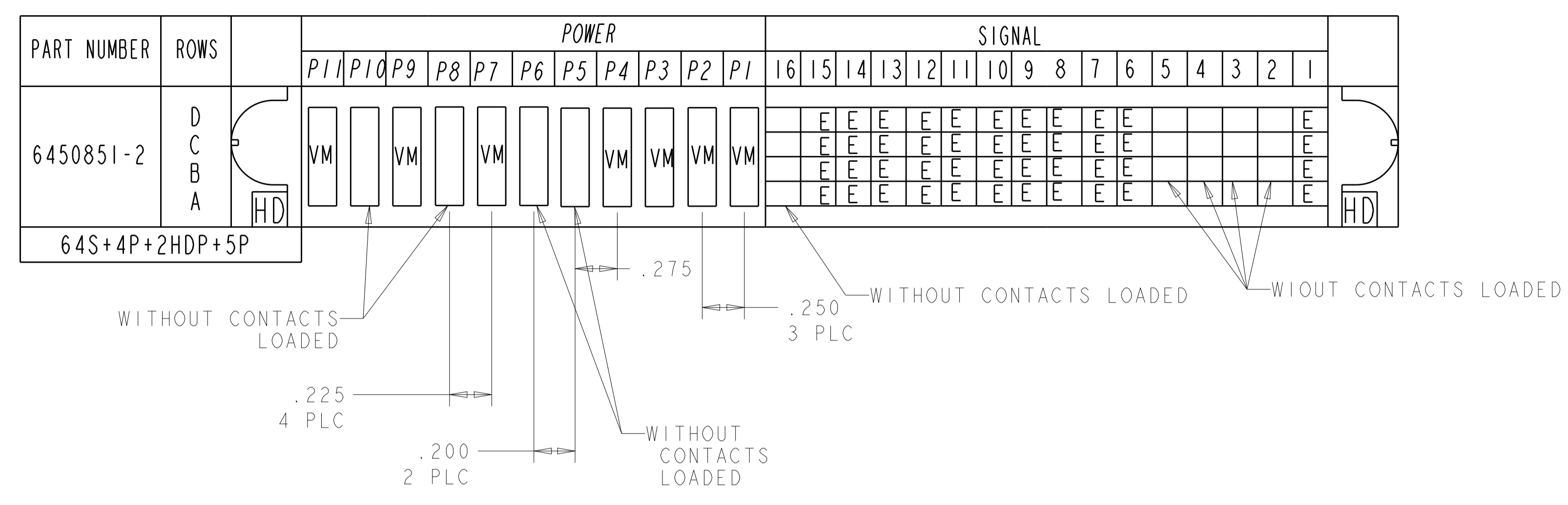
SIZE: A1
CAGE CODE: -
DRAWING NO: C=6450851

RESTRICTED TO: -

Customer Drawing

SCALE: 4:1
SHEET: 1 OF 6
REV: B3

REVISIONS				
P.	LTN.	DESCRIPTION	DATE	APVD.
-	-	SEE SHEET 1	-	-

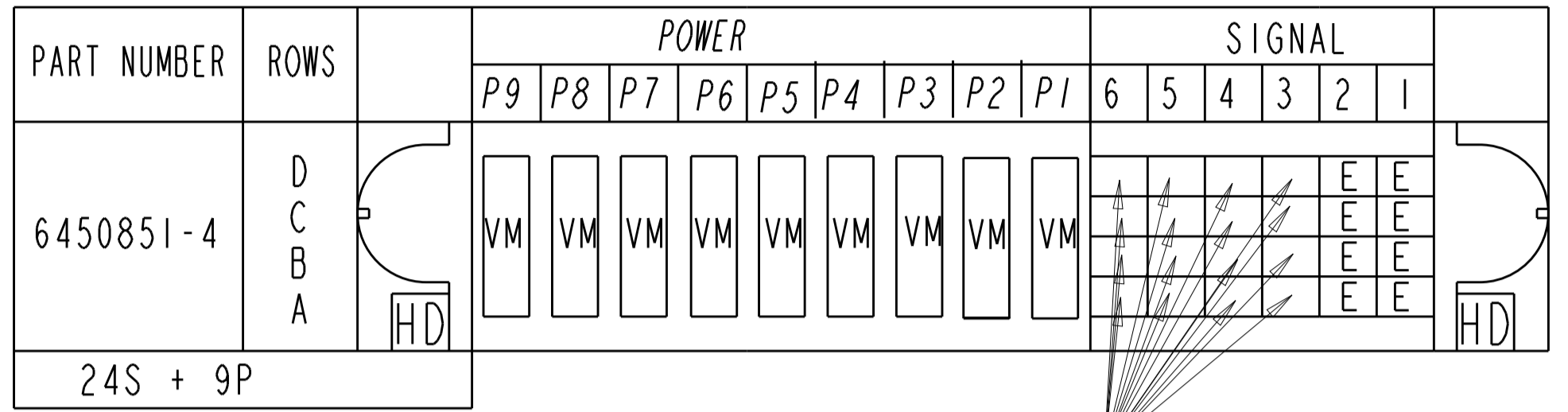
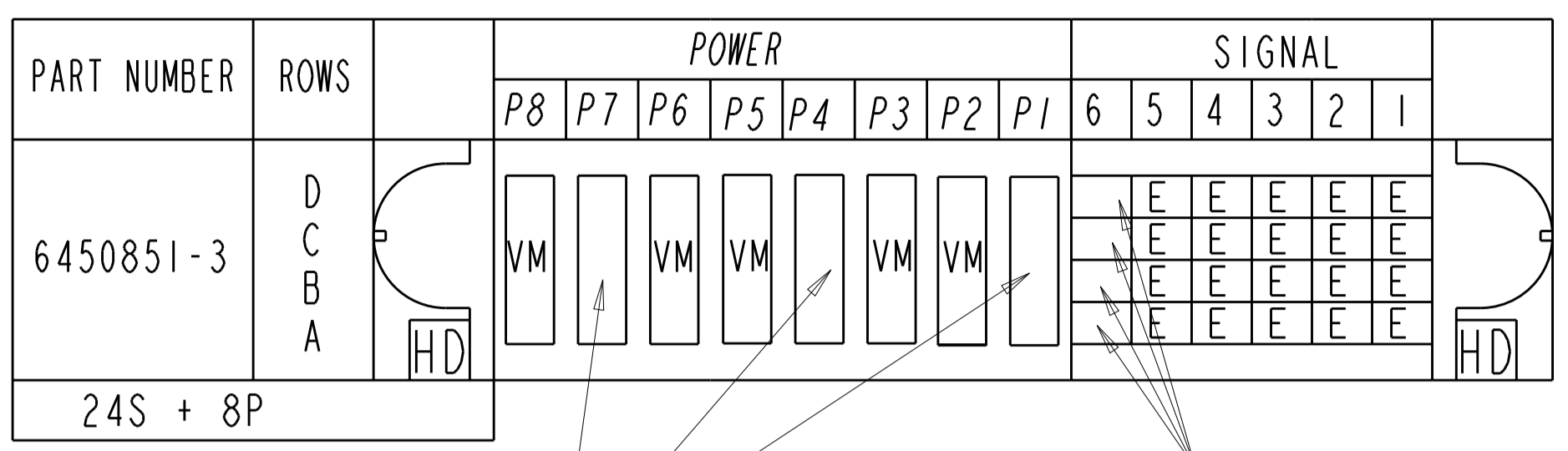


THIS DRAWING IS A CONTROLLED DOCUMENT.

DW: ORANDO LL 15OCT2009	CHK: SUNY ZHAO 15OCT2009	APVD: S. YAO	NAME: VERTICAL RECEPTACLE ASSEMBLY, MULTI-BEAM XLE
DIMENSIONS: INCHES		TOLERANCES UNLESS OTHERWISE SPECIFIED:	PRODUCT SPEC: 108-1973
0 PLC ± 1 PLC ±.01 2 PLC ±.01 3 PLC ±.005 4 PLC ±.0020 ANGLES ±.2°		APPLICATION SPEC: 114-13038	RESTRICTED TO: -
MATERIAL: -	FINISH: -	WEIGHT: -	SCALE: 4:1
Customer Drawing		SIZE: A1	SHEET 3 OF 6

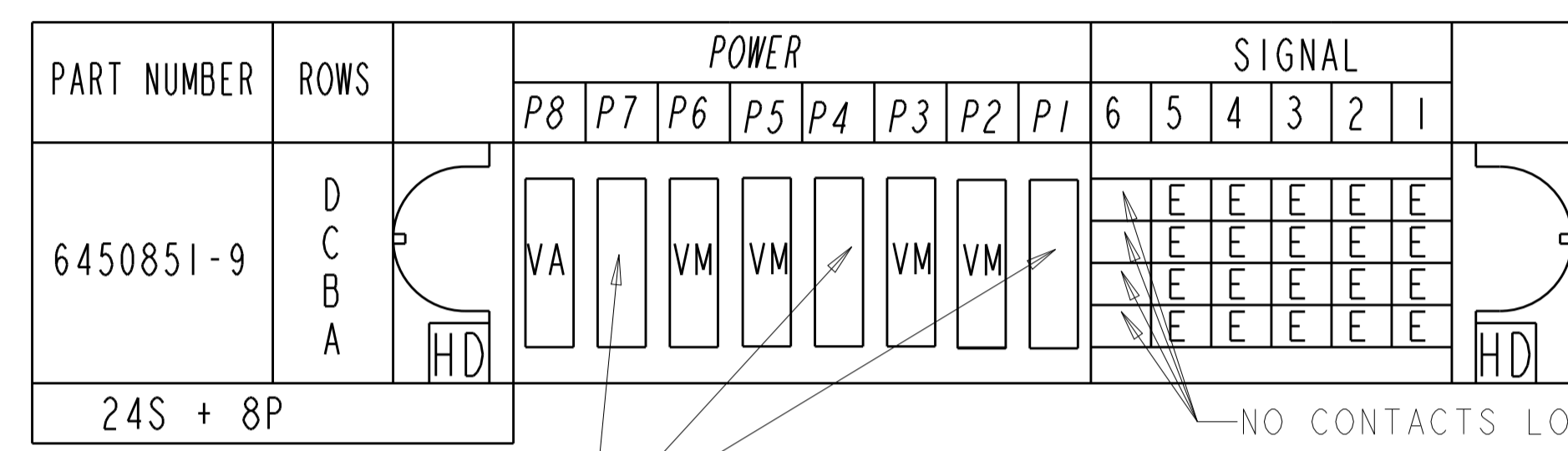
REV: B3

REVISIONS				
P. LTM	DESCRIPTION	DATE	OWN	APVD
-	SEE SHEET 1	-	-	-

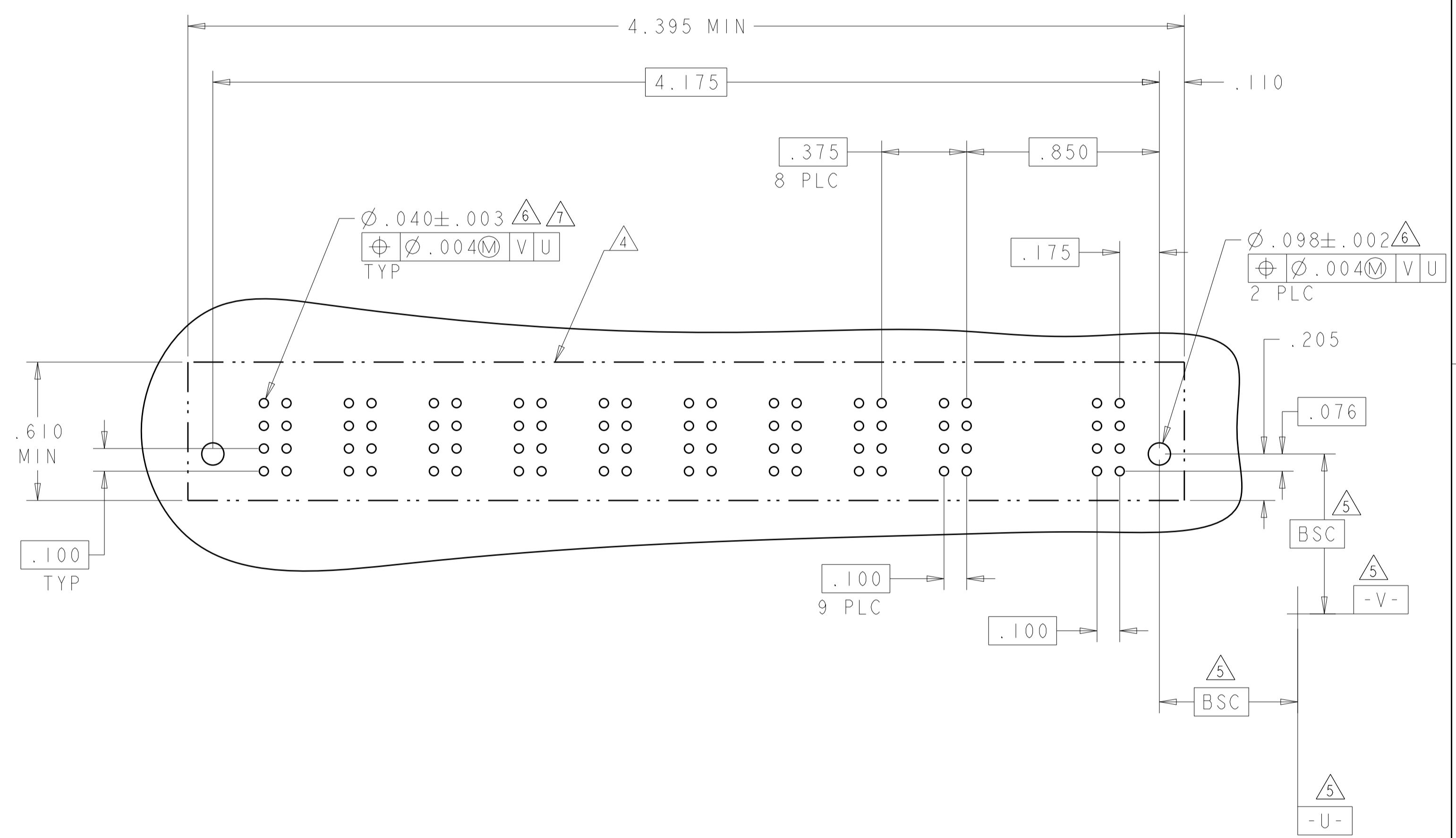
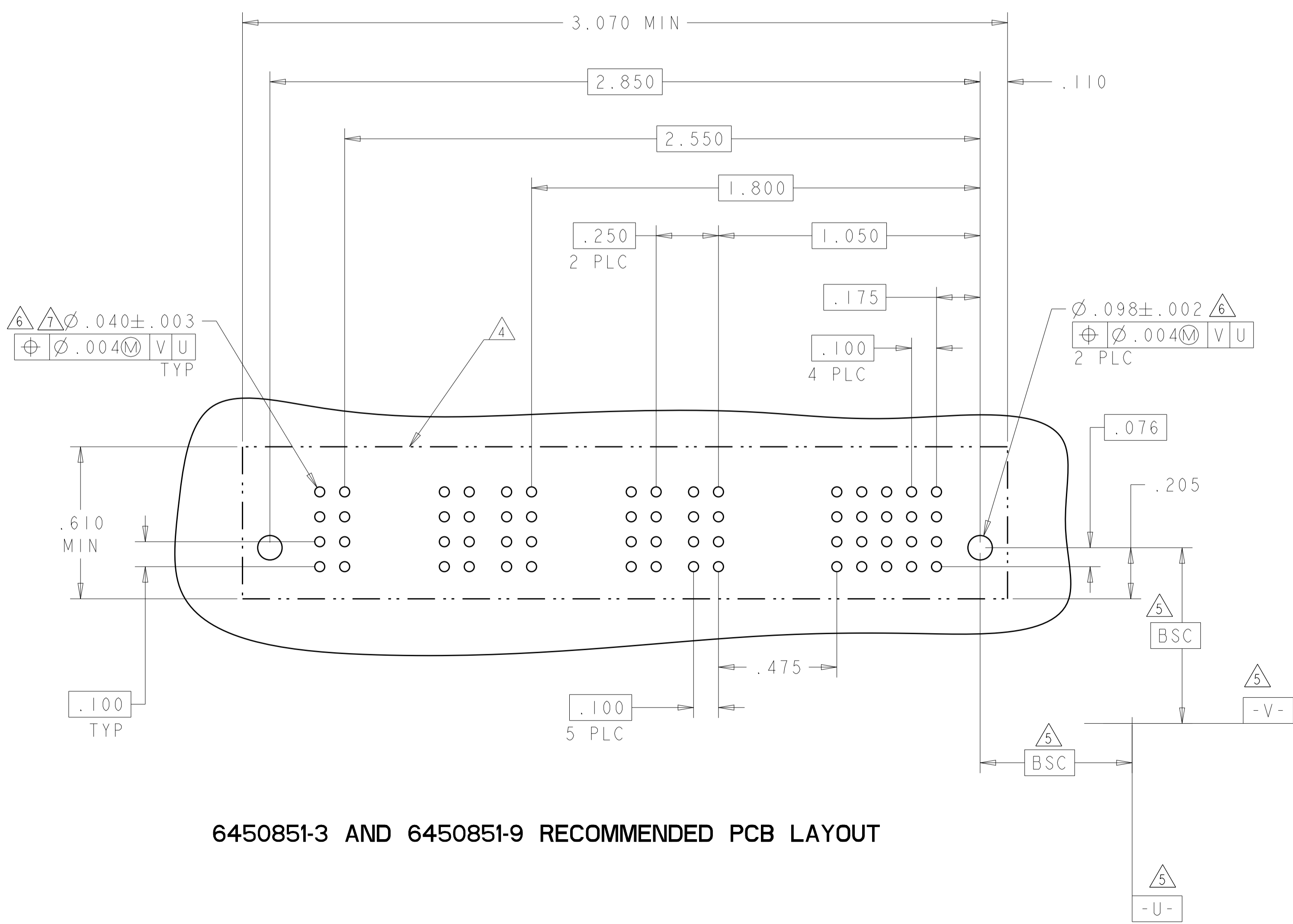


NO CONTACTS LOADED

NO CONTACTS LOADED



NO CONTACTS LOADED

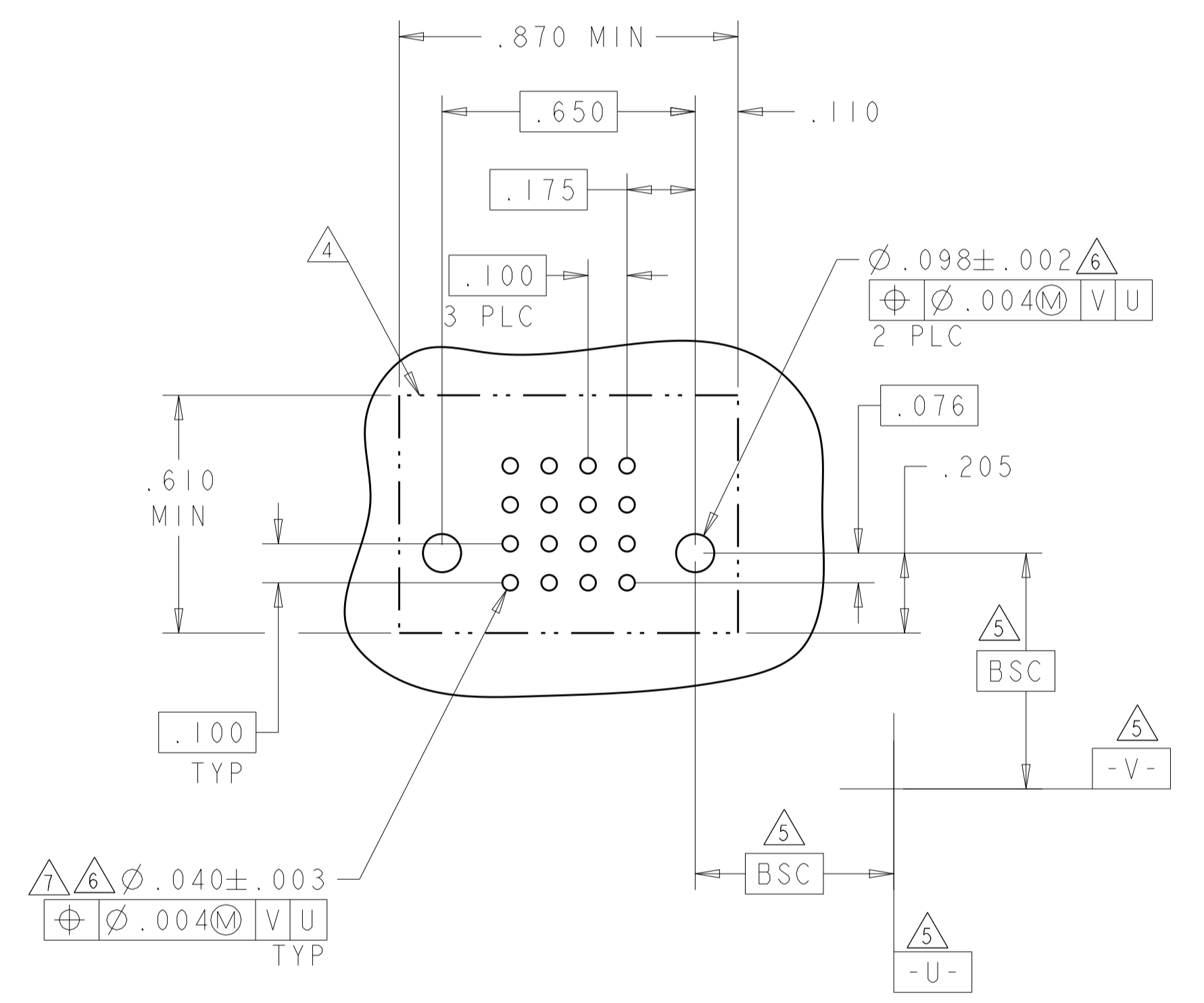


6450851-3 AND 6450851-9 RECOMMENDED PCB LAYOUT

THIS DRAWING IS A CONTROLLED DOCUMENT.		OWN: ORANDO L1 15OCT2009	 TE Connectivity
DIMENSIONS: INCHES		CHK: SUNY ZHAO 15OCT2009	
TOLERANCES UNLESS OTHERWISE SPECIFIED:		APVD: S. YAO	NAME: VERTICAL RECEPTACLE ASSEMBLY, MULTI-BEAM XLE
0 PLC	±	PRODUCT SPEC	SIZE: A1
1 PLC	±.01	APPLICATION SPEC	CAGE CODE: 6450851
2 PLC	±.005	WEIGHT	SHEET 4 OF 6
3 PLC	±.002	Customer Drawing	REV: B3
4 PLC	±.002	SCALE: 4:1	
ANGLES	±.002		
FINISH	±.002		

REVISIONS				
P.	LTN	DESCRIPTION	DATE	APVD
-	-	SEE SHEET 1	-	-

PART NUMBER	ROWS	SIGNAL			
		4	3	2	1
6450851-8	D C B A	E	E	E	E
		E	E	E	E
		E	E	E	E
		E	E	E	E
16S		HD		HD	



THIS DRAWING IS A CONTROLLED DOCUMENT.		DWN: ORANDO LI 15OCT2009	
DIMENSIONS: INCHES		CHK: SUNY ZHAO 15OCT2009	
TOLERANCES UNLESS OTHERWISE SPECIFIED: 0 PLC ±. 1 PLC ±. 2 PLC ±.01 3 PLC ±.005 4 PLC ±.0020 ANGLES ±2° FINISH -		APVD: S. YAO	NAME: VERTICAL RECEPTACLE ASSEMBLY, MULTI-BEAM XLE
MATERIAL: -		PRODUCT SPEC: 108-1973	RESTRICTED TO: -
-		APPLICATION SPEC: 114-13038	SIZE: A1
-		WEIGHT: -	CAGE CODE: 6450851
-		Customer Drawing	SCALE: 4:1 SHEET 6 OF 6 REV: B3