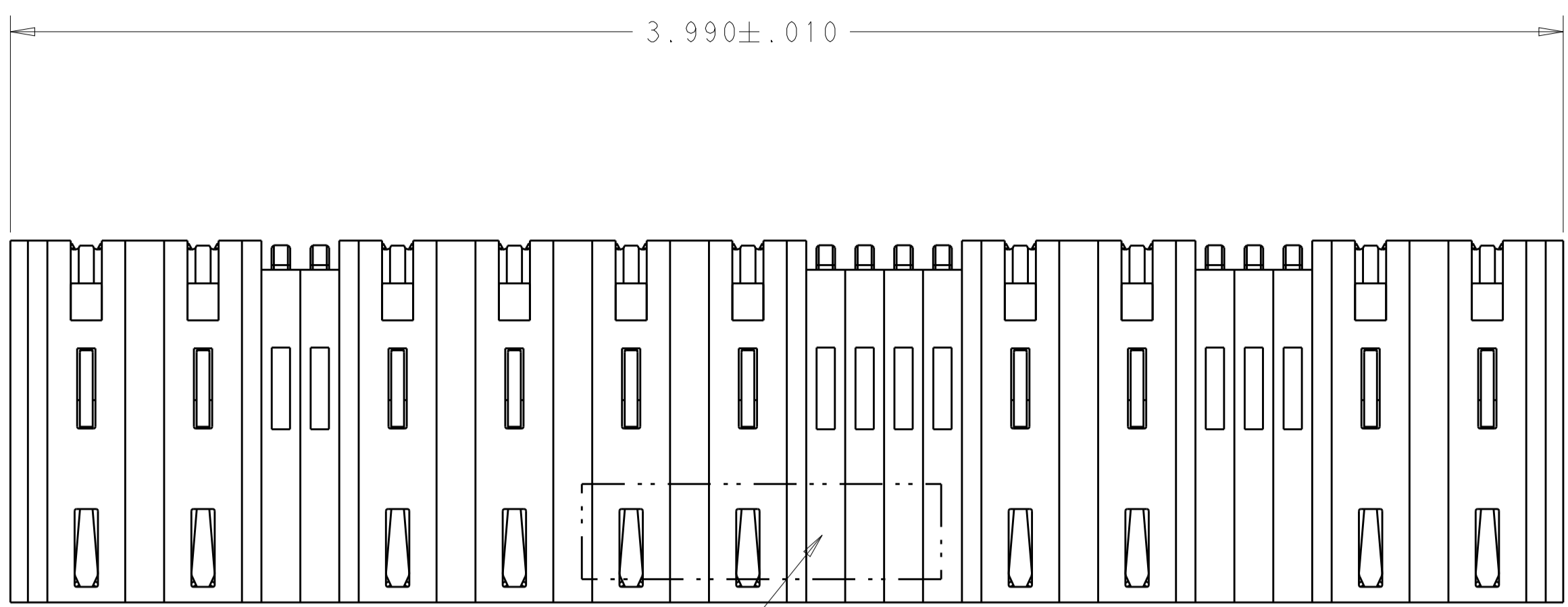
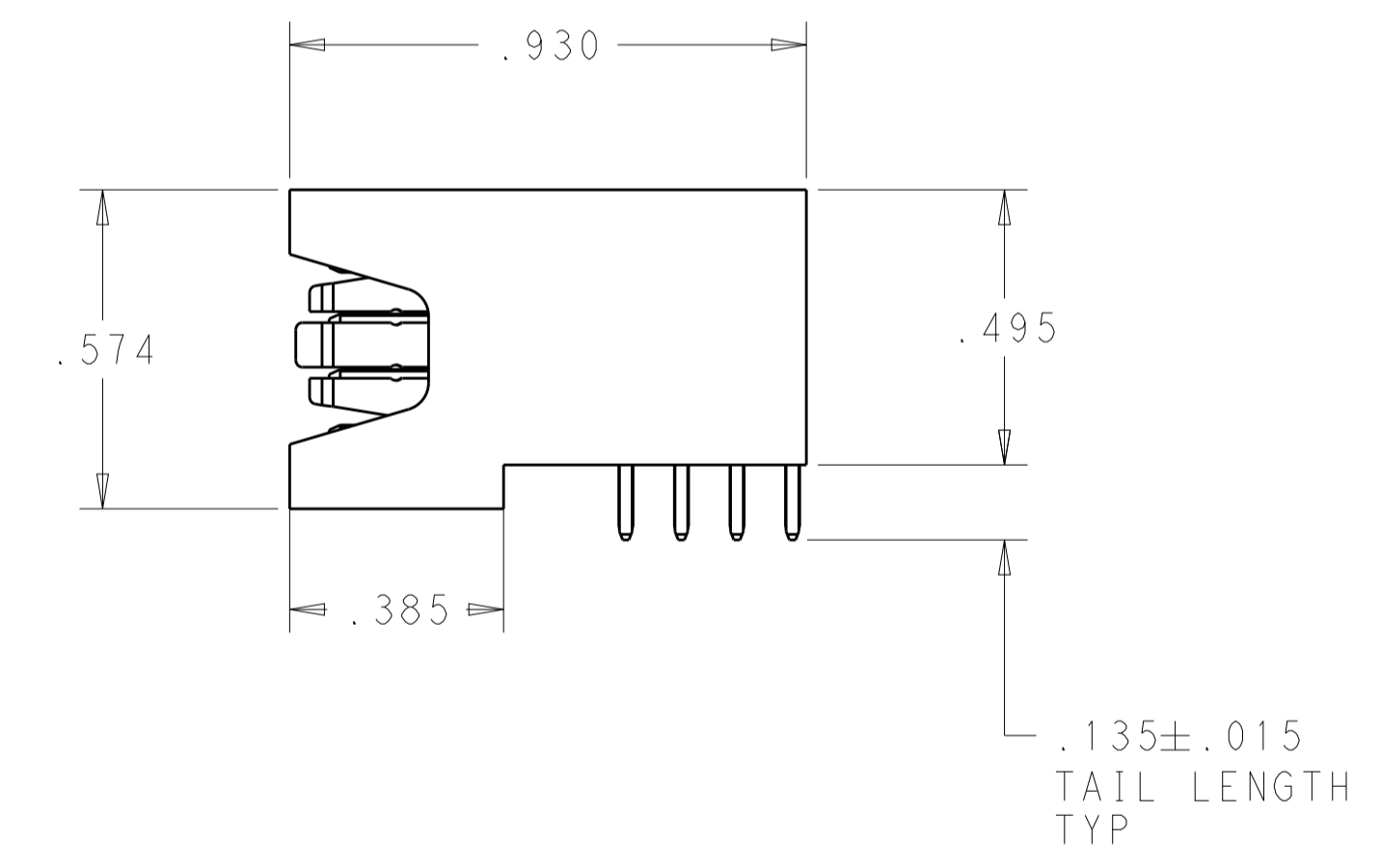
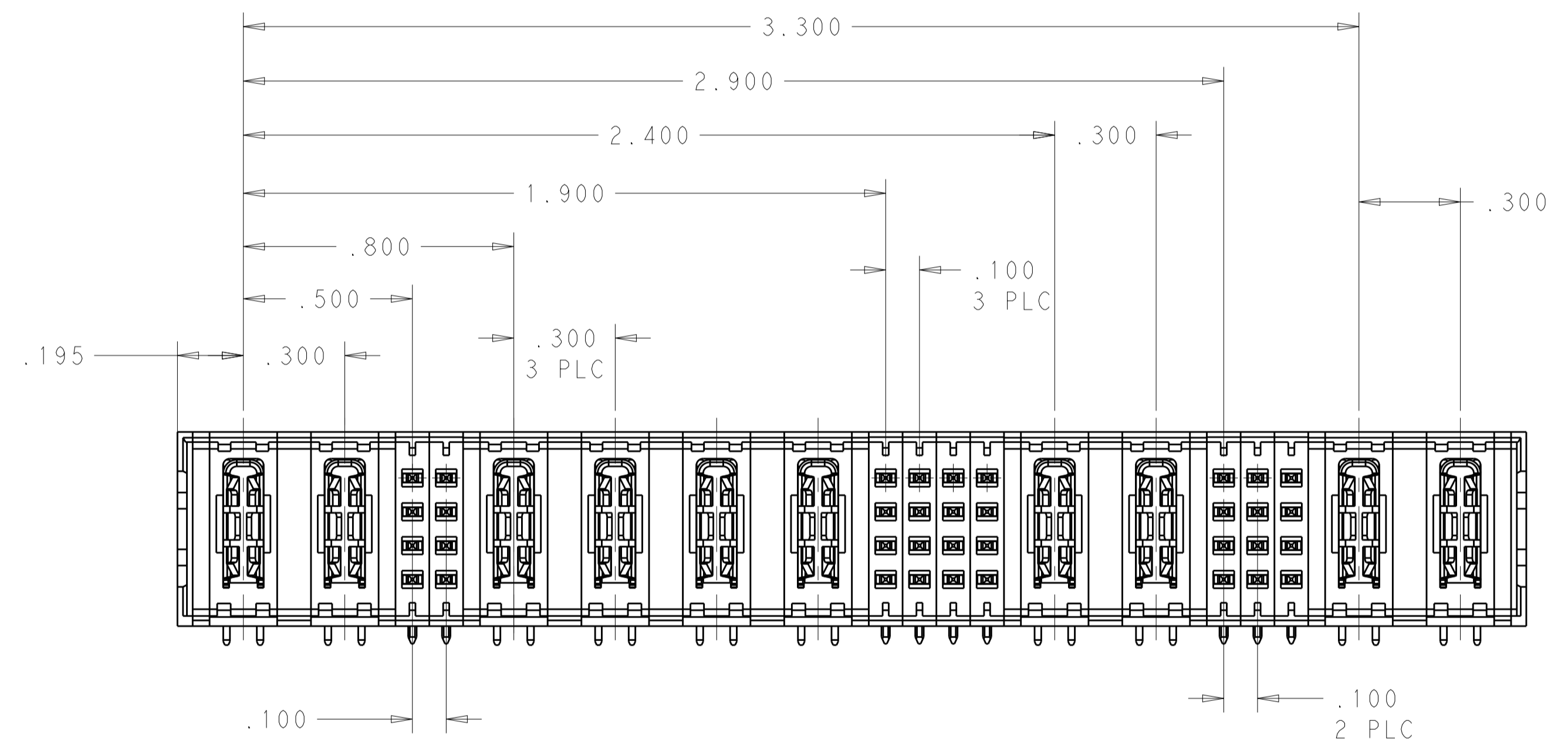


REVISIONS				
P.	LTN	DESCRIPTION	DATE	APVD
1		PROPOSED DESIGN	02DEC2014	CZ SZ



- ① "AMP", PART NUMBER, AND DATECODE TO BE MARKED IN AREA SHOWN. PARTS UNDER 2.00 LONG MAY BE MARKED ON BOTH SIDES.
- ② MATERIAL: HOUSING - GLASS FILLED HIGH TEMP THERMO PLASTIC, BLACK, UL94 V-0
 SIGNAL CONTACT - COPPER ALLOY
 POWER CONTACT - HIGH CONDUCTIVITY COPPER ALLOY
- ③ CONTACT PLATING: SIGNAL CONTACTS - .000050 MIN Ni UNDER ALL.
 .000030 MIN. Au ON CONTACT AREA.
 .000100 MIN Sn AT PCB INTERFACE.)
 POWER CONTACTS - .000050 MIN Ni UNDER ALL.
 .000030 MIN Au AT CONTACT AREA.
 .000100 MIN Sn AT PCB INTERFACE.
- ④ MECHANICAL CONNECTOR KEEP OUT ZONE.
- ⑤ DATUM AND BASIC DIMENSIONS ESTABLISHED BY CUSTOMER.
- ⑥ PCB - HOLE DIAMETERS ARE FINISHED HOLE SIZE.
- ⑦ PCB - .0453 ± .0010 DRILLED HOLES PLATED WITH .0003 MIN Sn OVER .001 TO .003 Cu PLATING TO ACHIEVE A .040 DIA HOLE.

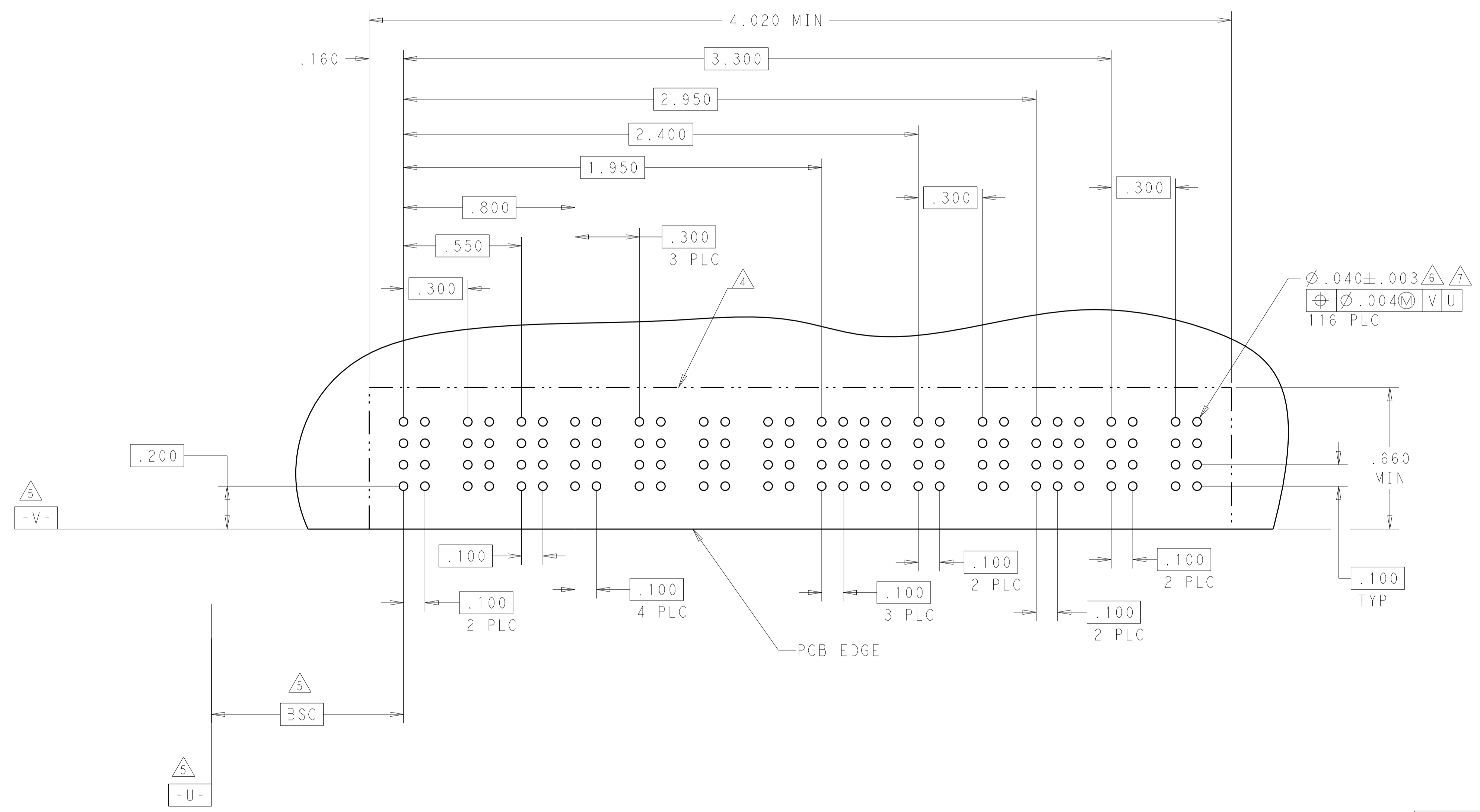


2ACP+8S+4ACP+16S+2ACP+12S+2ACP	6450839-6
DESCRIPTION	PART NUMBER

THIS DRAWING IS A CONTROLLED DOCUMENT.		DWN C. ZHOU CHK S. ZHAO	02DEC2014 02DEC2014		
DIMENSIONS: INCHES	TOLERANCES UNLESS OTHERWISE SPECIFIED:	APVD	NAME	RIGHT ANGLE HEADER ASSEMBLY WITH GUIDELESS MULTI-BEAM XLE	
0 PLC ±	1 PLC ±	PRODUCT SPEC	SIZE	CAGE CODE	DRAWING NO
2 PLC ±	3 PLC ±	108-2292	A1	00779	6450839-6
4 PLC ±	ANGLES ±	APPLICATION SPEC	RESTRICTED TO		
MATERIAL	FINISH	114-13251	SCALE	SHEET	OF
		WEIGHT	1:4	1	2
		CUSTOMER DRAWING	REV	1	

REVISIONS				
P.	LTN	DESCRIPTION	DATE	APVD
-	-	SEE SHEET 1	-	-

PART NUMBER	ROWS	POWER		SIGNAL				POWER				SIGNAL				POWER		SIGNAL		POWER	
		P1	P2	1	2	P3	P4	P5	P6	3	4	5	6	P7	P8	7	8	9	P9	P10	
		6450839-6	D C B A	TM	TM	J	J	TM	TM	TM	TM	J	J	J	J	TM	TM	J	J	J	TM
				K	K					K	K	K	K			K	K	K			
				N	N					N	N	N	N			N	N	N			
				S	S					S	S	S	S			S	S	S			
		2ACP+8S+4ACP+16S+2ACP+12S+2ACP																			



DESCRIPTION	IDENTIFIER
HOLD DOWN	HD
.135 SIGNAL CON, ROW D, STANDARD	J
.135 SIGNAL CON, ROW C, STANDARD	K
.135 SIGNAL CON, ROW B, STANDARD	N
.135 SIGNAL CON, ROW A, STANDARD	S
.135 STANDARD POWER CON, 3 BEAMS	TM

THIS DRAWING IS A CONTROLLED DOCUMENT.		DWN C. ZHOU CHK S. ZHAO	02DEC2014 02DEC2014	TE Connectivity RIGHT ANGLE HEADER ASSEMBLY WITH GUIDELESS MULTI-BEAM XLE	
DIMENSIONS: INCHES	TOLERANCES UNLESS OTHERWISE SPECIFIED:	APVD	NAME		
	0 PLC ±	PRODUCT SPEC	108-2292		
	1 PLC ±	APPLICATION SPEC	114-13251		
MATERIAL	FINISH	WEIGHT	RESTRICTED TO		
			A100779C=6450839-6		
CUSTOMER DRAWING		SCALE	SHEET 2 OF 2	REV 1	