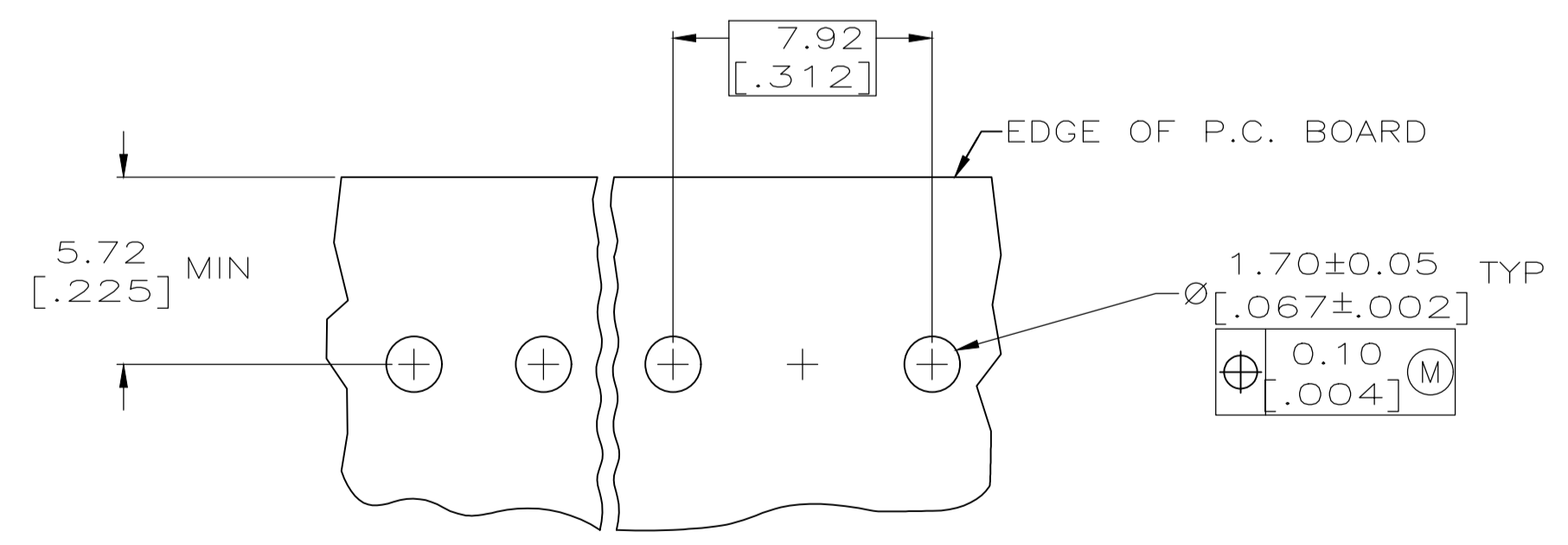
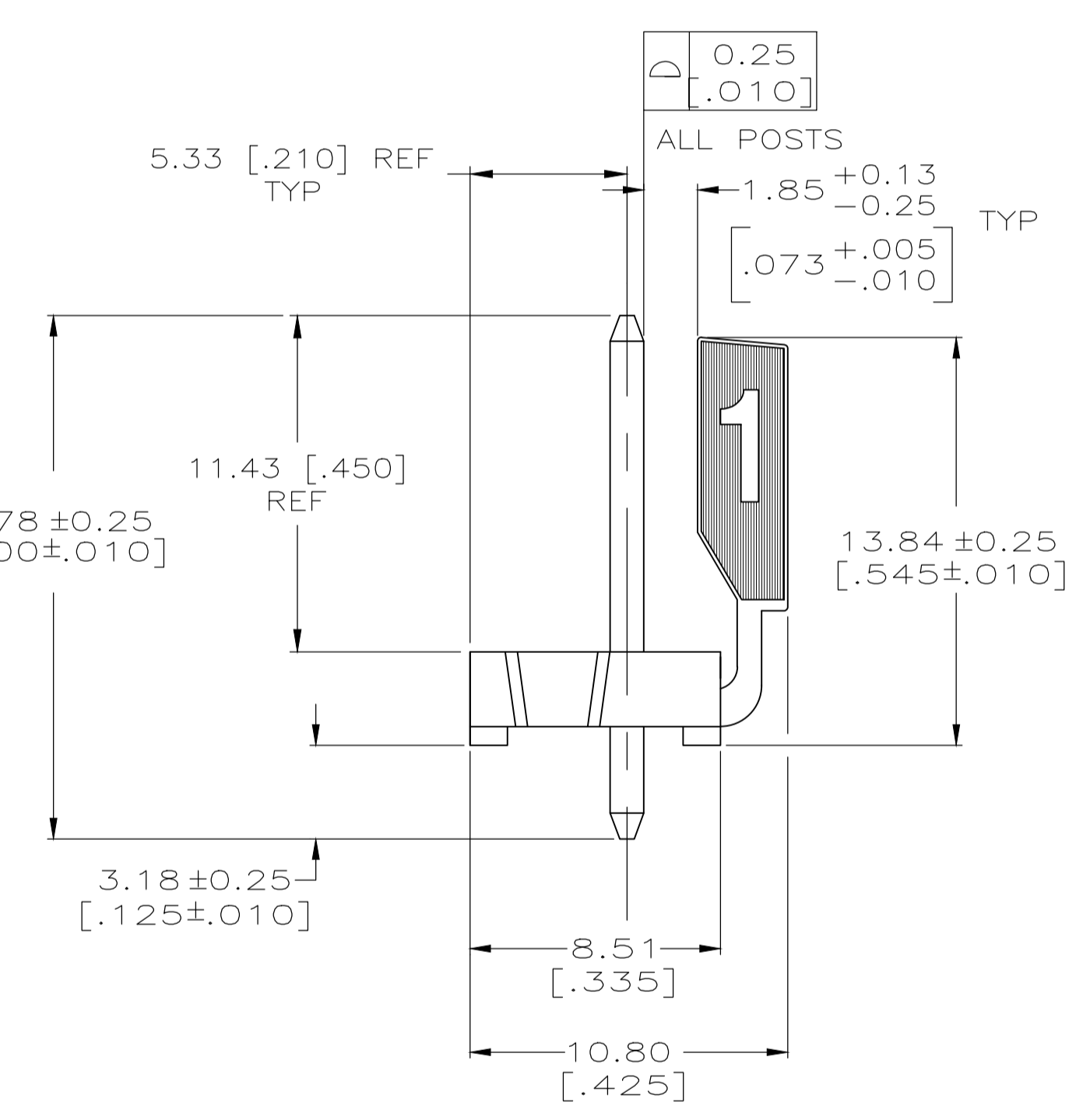
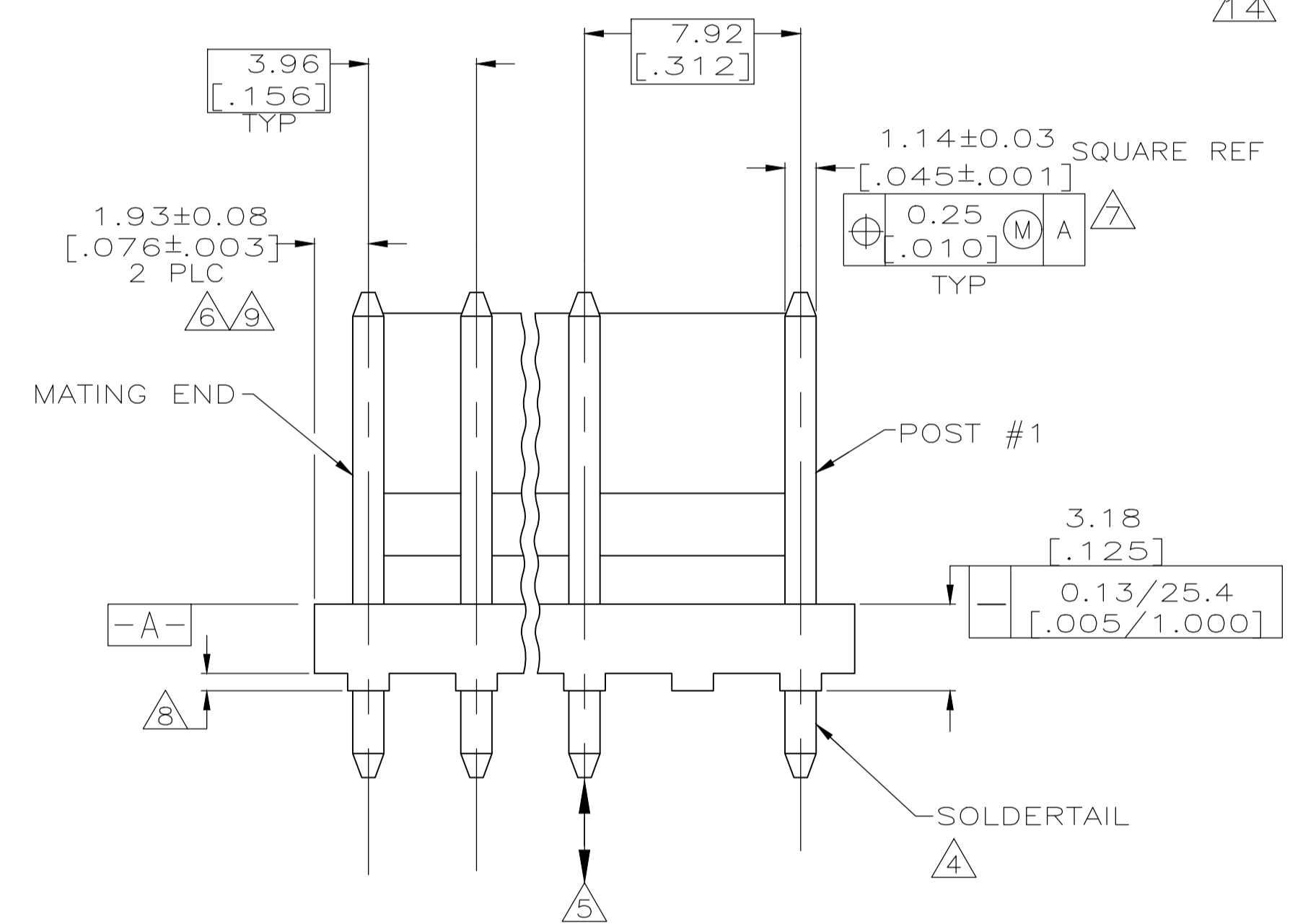
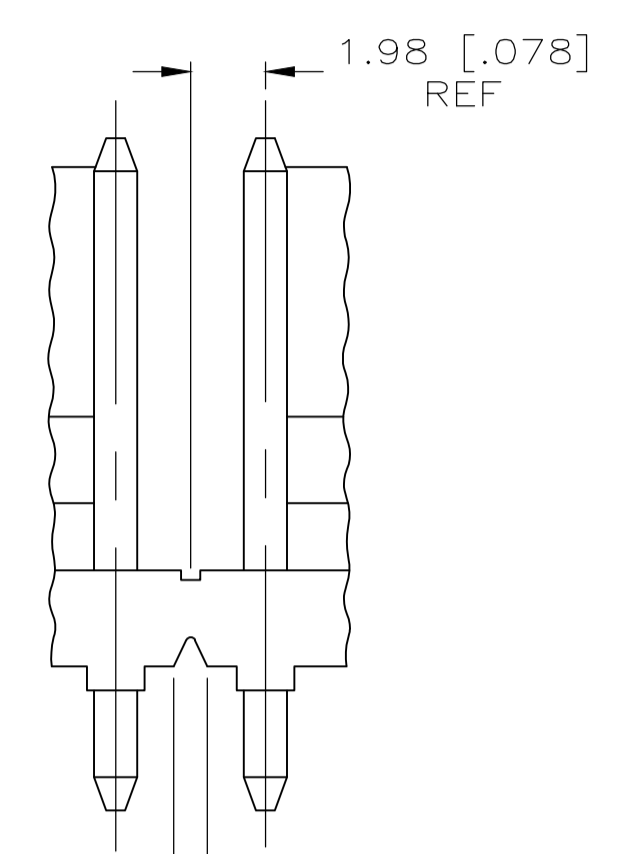
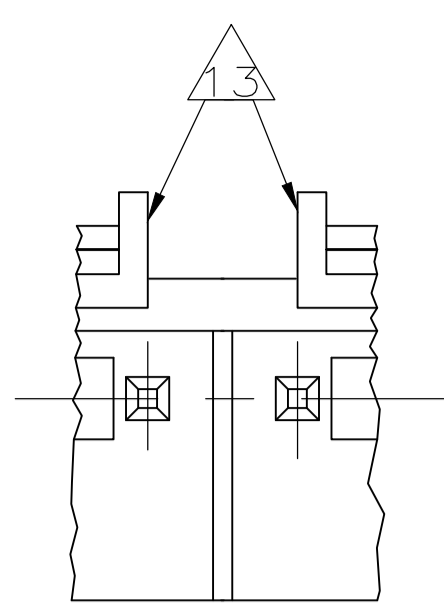
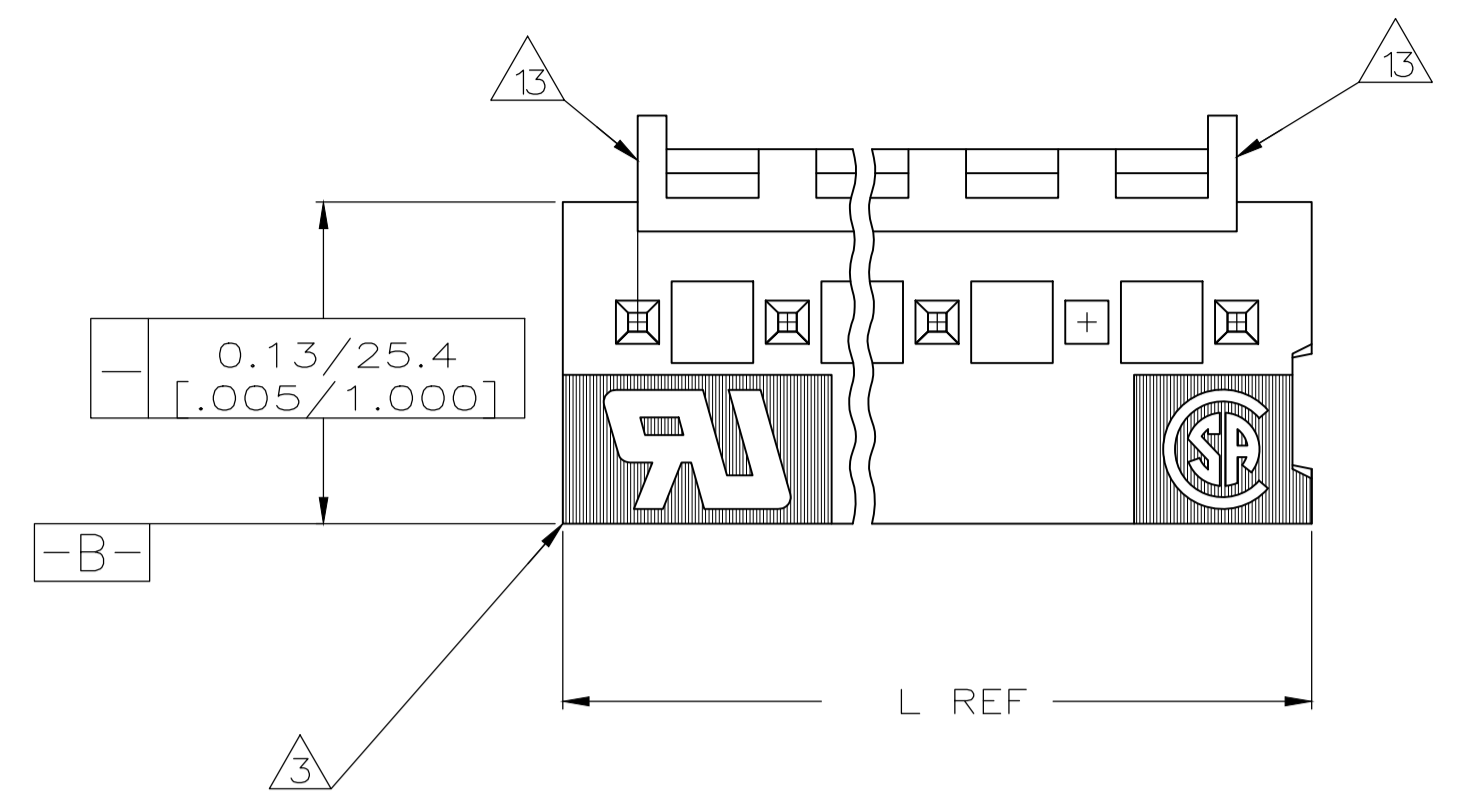


LOC		DIST		REVISIONS			
P	LTR	DESCRIPTION	DATE	DN	APVD		
H2	REVISED PER	ECR-20-100355	27AUG2020	BDA	SW		



RECOMMENDED MOUNTING HOLE PATTERN FOR 1.57 [.062] THICK P.C. BOARD

- 1 MATERIAL
HOUSING: THERMOPLASTIC POLYESTER, GLASS FILLED, DR-48, UL94V-0.
POST: COPPER ALLOY
- 2 FINISH
HOUSING: BLACK
POST: BRIGHT TIN-LEAD (93/7) 0.00380 [.000150]-0.00880 [.000350] THICK OVER NICKEL UNDERPLATE 0.00130 [.000050] MINIMUM THICK OR MATTE TIN PLATE 0.00380 [.000150] THICK OVER NICKEL UNDERPLATE 0.00130 [.000050] MINIMUM THICK IF LEAD FREE.
- 3 UL MARKING MAY NOT APPEAR ON THE 3 POSITION SIZE.
- 4 POST SOLDERTAILS COMPLY WITH AMP SOLDERABILITY SPEC 109-11-2.
- 5 POST WITHSTANDS 13.34N (3 LB) MIN AXIAL FORCE IN EITHER DIRECTION WITHOUT DISLODGING.
- 6 APPLIES AT -B-.
- 7 APPLIES WHEN THE HEADER IS STRAIGHT.
- 8 PLASTIC PROJECTIONS PERMITTED IN THIS ZONE.
- 9 COORDINATE DIMENSIONS APPLIES FROM THE CENTER OF THE ACTUAL FEATURE.
- 10 SOLDER SIDE OF BOARD IS SHOWN.
- 11. DIMENSIONS IN BRACKETS ARE IN INCHES.
- 12 ALL POSITION SIZES HAVE THE BACK WALL NOTCHED ON BOTH ENDS AS SHOWN. THE 2 THRU 5 POSITION SIZES HAVE SOLID BACK WALLS. POSITION SIZES 6 AND ABOVE HAVE AN INTERRUPTED BACK WALL AT VARIOUS LOCATIONS (SEE TABLE FOR INTERRUPTION(S) LOCATIONS).
- 13 EDGE OF POLARIZING LOCK WALL TO BE IN LINE WITH CENTERLINE OF ADJACENT POST WITHIN ±0.13 [.005].
- 14 NOTCH SHOWN MAY OR MAY NOT APPEAR.
- 15 OBSOLETE PART NUMBER

15	YES	3 & 4, 7 & 8	39.50	[1.555]	10	4-644991-0
	YES	NONE	19.69	[.775]	5	3-644991-5
	YES	NONE	11.76	[.463]	3	3-644991-3
15	NO	3 & 4, 7 & 8	39.50	[1.555]	10	1-644991-0
15	NO	NONE	19.69	[.775]	5	644991-5
15	NO	NONE	11.76	[.463]	3	644991-3
NOTES	LEAD FREE	BACK WALL INTERRUPTIONS BETWEEN POST	mm	[IN]	NO OF POSITIONS	PART NUMBER

THIS DRAWING IS A CONTROLLED DOCUMENT.

DIMENSIONS: mm [INCHES]
 TOLERANCES UNLESS OTHERWISE SPECIFIED:
 0 PLC ±
 1 PLC ±
 2 PLC ±
 3 PLC ± 0.13 [.005]
 4 PLC ±
 ANGLES ±

MATERIAL: 1
 FINISH: 2

THIS DRAWING IS A CONTROLLED DOCUMENT. S. HOOVER 22-OCT-2004
 CJK D. ROSSI 22-OCT-2004
 APVD D. ROSSI 22-OCT-2004
 PRODUCT SPEC

NAME: ASSEMBLY- MTA .156 HEADER, POLARIZED LOCK, STR .045 SQUARE POST, TIN OR TIN-LEAD PLATED, OMITTED POST #2, SPECIAL
 APPLICATION SPEC
 SIZE: A1
 CAGE CODE: 00779
 DRAWING NO: 644991
 WEIGHT: CUSTOMER DRAWING
 SCALE: 5:1
 SHEET: 1 of 1
 REV: H2

STE TE Connectivity