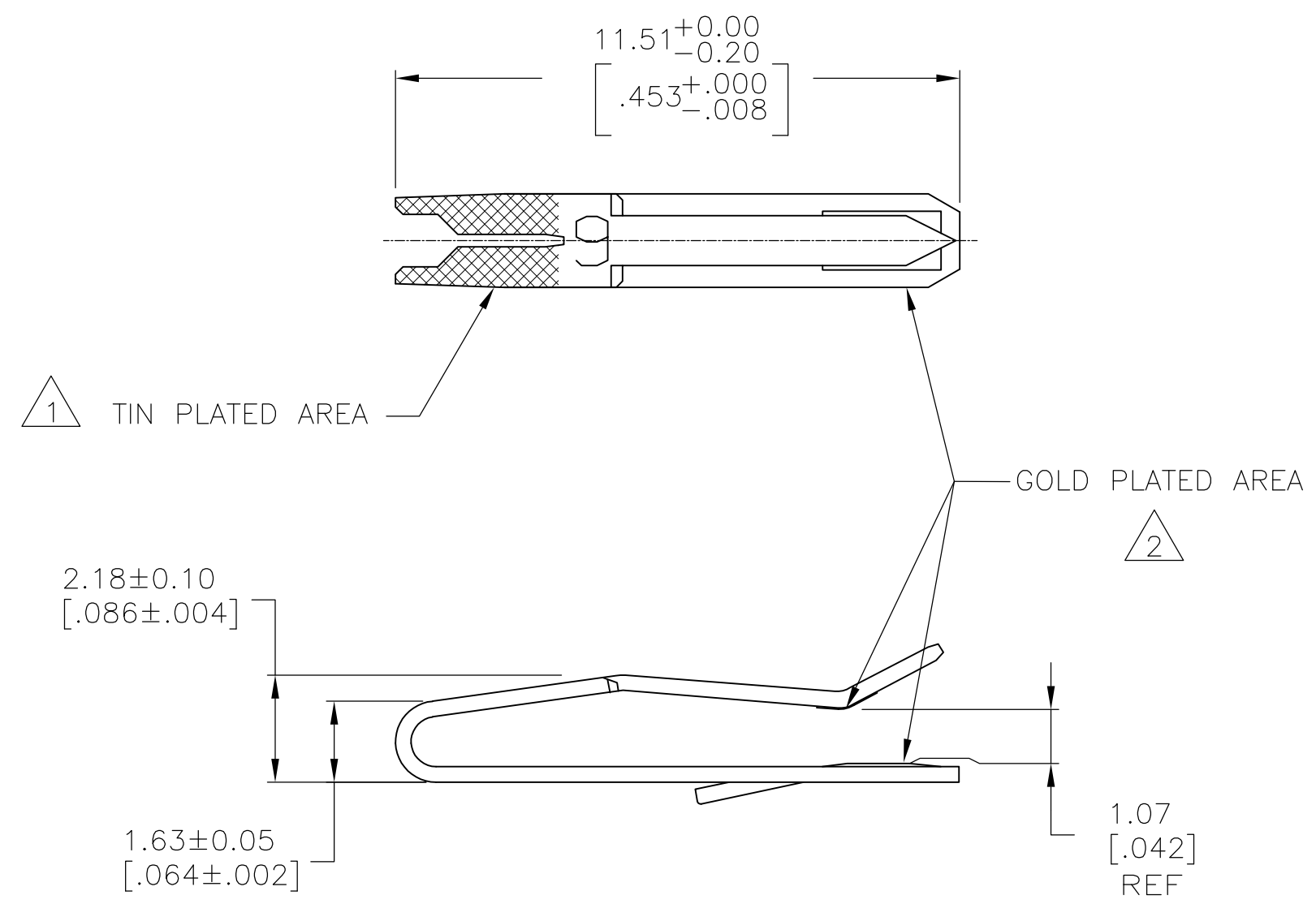


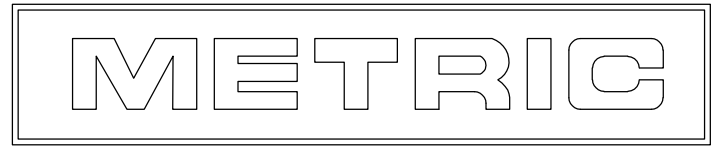
THIS DRAWING IS UNPUBLISHED. RELEASED FOR PUBLICATION
 © COPYRIGHT - BY TYCO ELECTRONICS CORPORATION. ALL RIGHTS RESERVED.

LOC	DIST	REVISIONS					
		P	LTR	DESCRIPTION	DATE	DWN	APVD
CM	00		F	REVISED PER ECO-07-007260	09APR07	KW	DB
			F1	REVISED PER ECO-09-024717	05NOV09	KK	AEG



1. DIMENSIONS IN BRACKETS ARE IN INCHES.
2. 0.00038 [.000015] MIN THICK GOLD IN THE GOLD PLATE AREA OVER 0.00127 [.000050] MIN THICK NICKEL.
3. 0.00076 [.000030] MIN THICK GOLD IN THE GOLD PLATE AREA OVER 0.00127 [.000050] MIN THICK NICKEL.
4. 0.00203 [.000080] MIN THICK TIN-LEAD IN THE TIN-LEAD PLATE AREA OVER 0.00127 [.000050] MIN THICK NICKEL.
5. MATTE TIN 0.00203(.000080) MIN THICK IN TIN PLATED AREA
6. OBSOLETE PARTS: OBSOLETE CIS STREAMLINING PER D.RENAUD/D.SINISI

OBSOLETE 6	3 5	641188-4
	2 5	641188-3
	3 4	641188-2
	2 4	641188-1
	FINISH	PART NO



THIS DRAWING IS A CONTROLLED DOCUMENT.		DWN BSV 25OCT2005	Tyco Electronics Corporation Harrisburg, PA 17105-3608	
DIMENSIONS: mm [INCHES]		CHK D. BOSSI 25OCT2005		
TOLERANCES UNLESS OTHERWISE SPECIFIED:		APVD D. BOSSI 25OCT2005	NAME CONTACT, LOOSE PIECE, GOLD STRIP, 26 AWG WIRE, MTA-100	
0 PLC ± -		PRODUCT SPEC -	SIZE A3	
1 PLC ± -		APPLICATION SPEC -	CAGE CODE 00779	DRAWING NO C-641188
2 PLC ± -		WEIGHT -	RESTRICTED TO -	
3 PLC ± 0.13 [.005]		CUSTOMER DRAWING	SCALE 8:1	SHEET 1 OF 1
4 PLC ± -			REV F1	
ANGLES ± -				
MATERIAL 0.30 [.012] THK COPPER ALLOY		FINISH SEE TABLE		