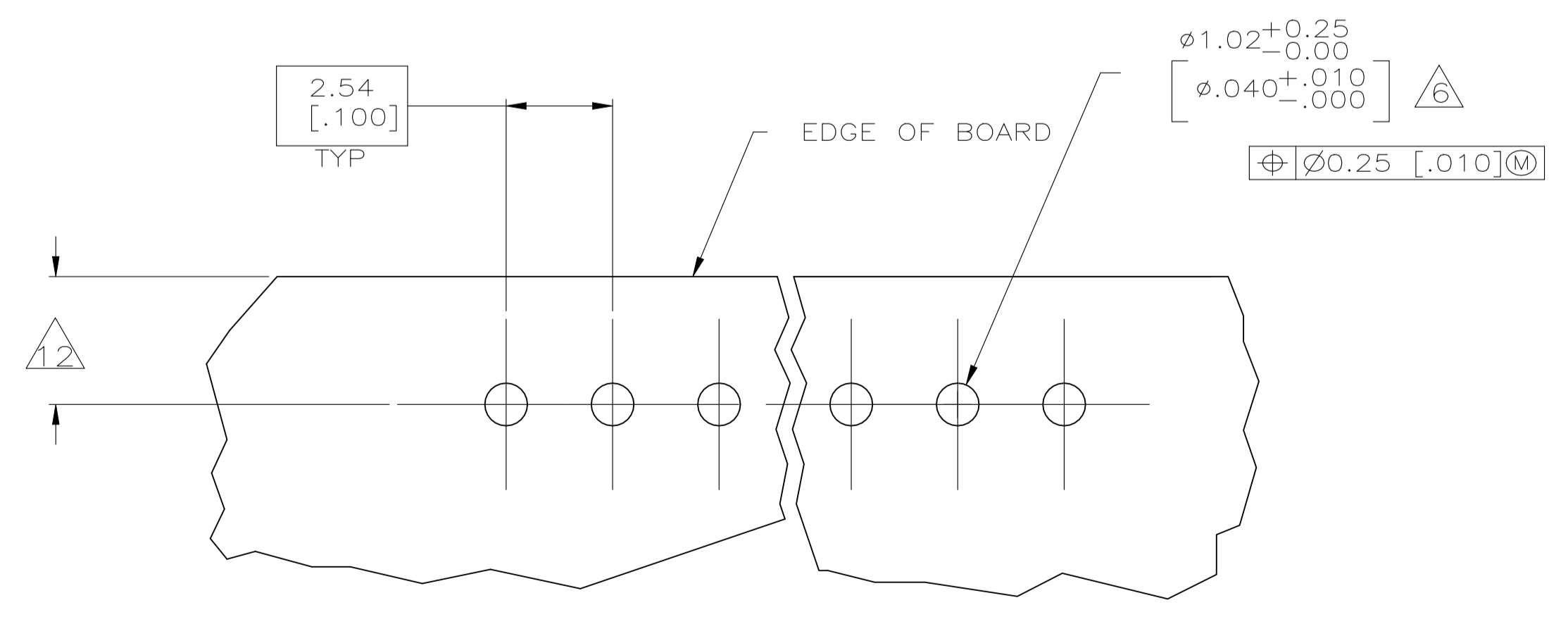
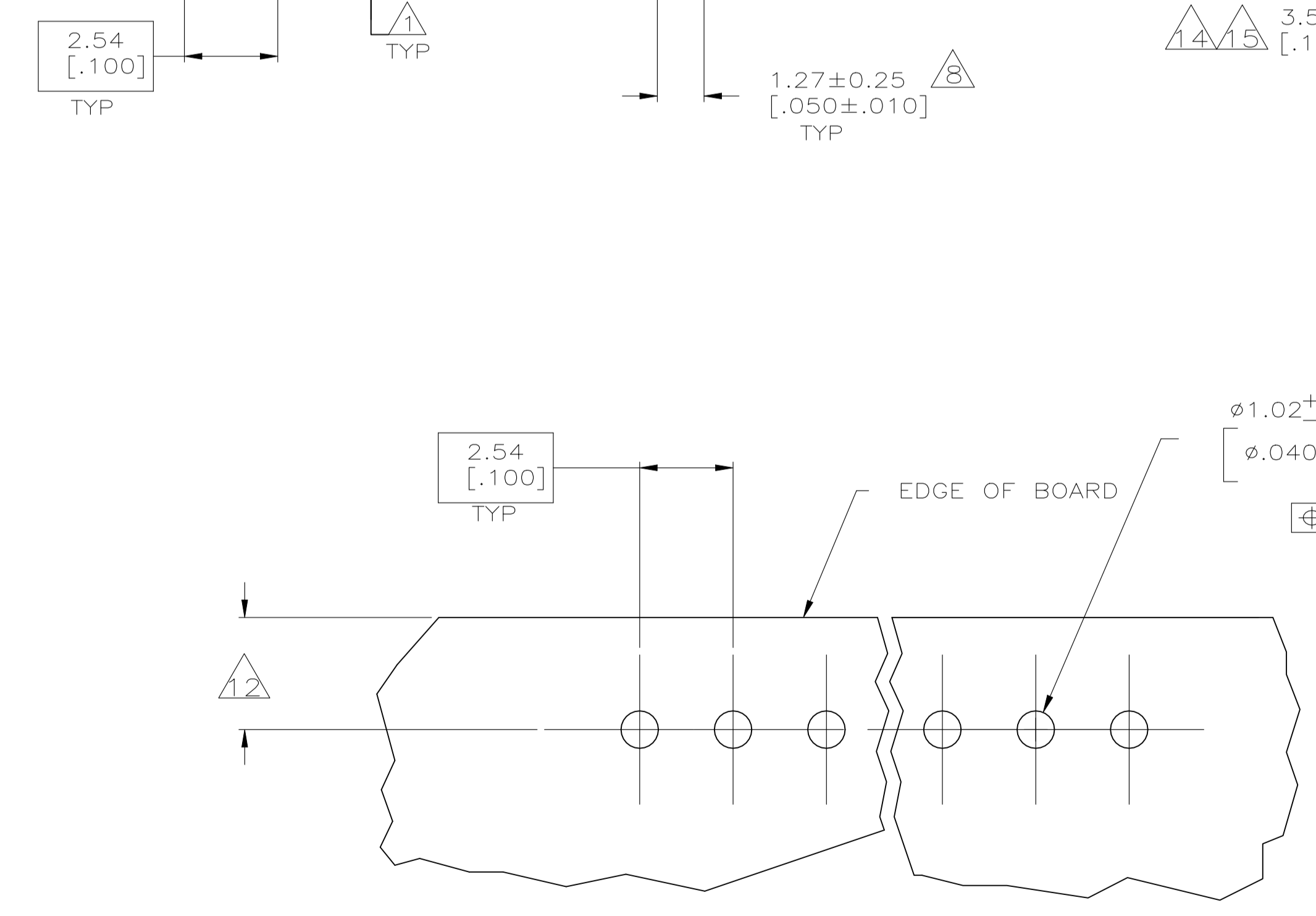
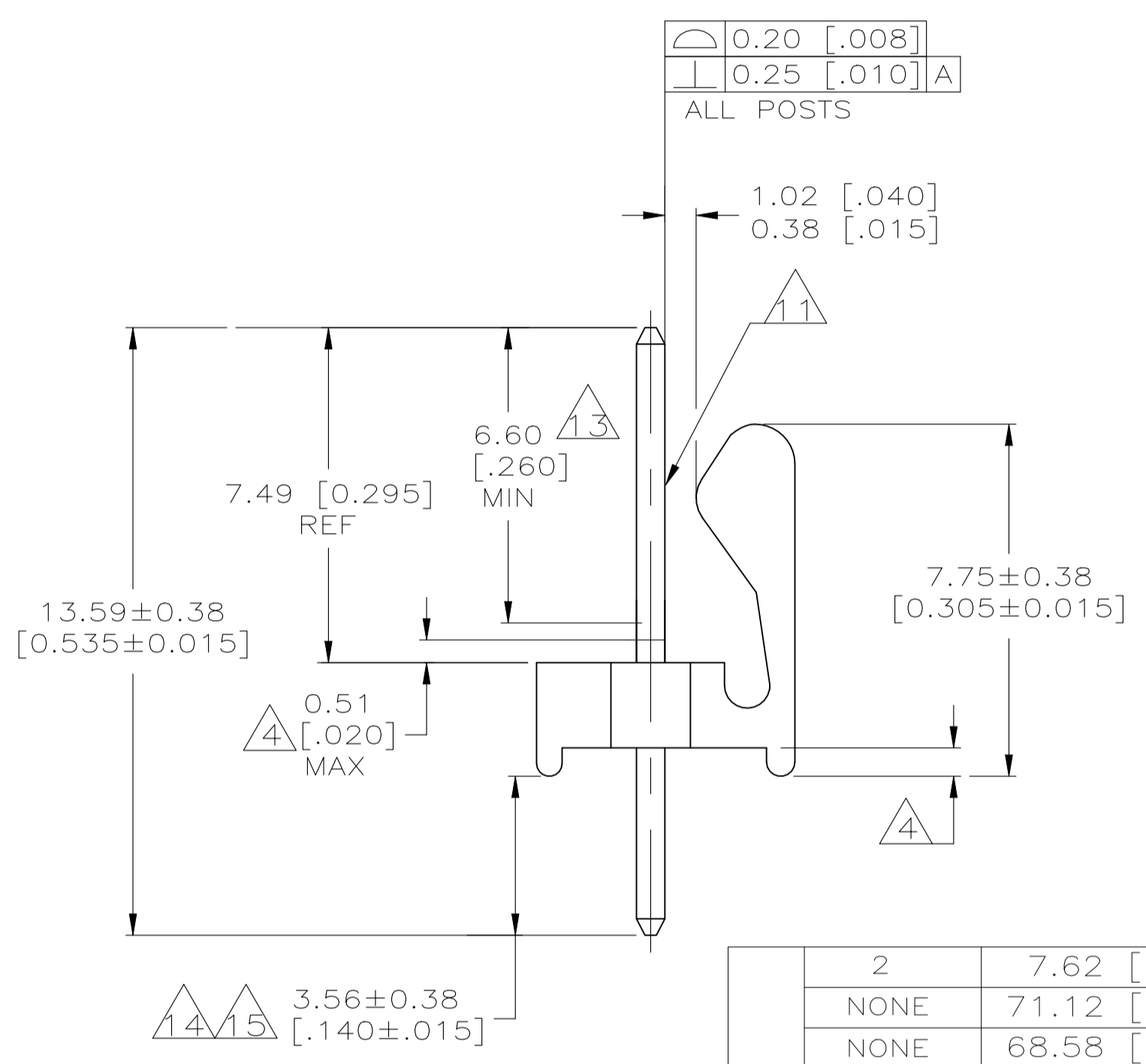
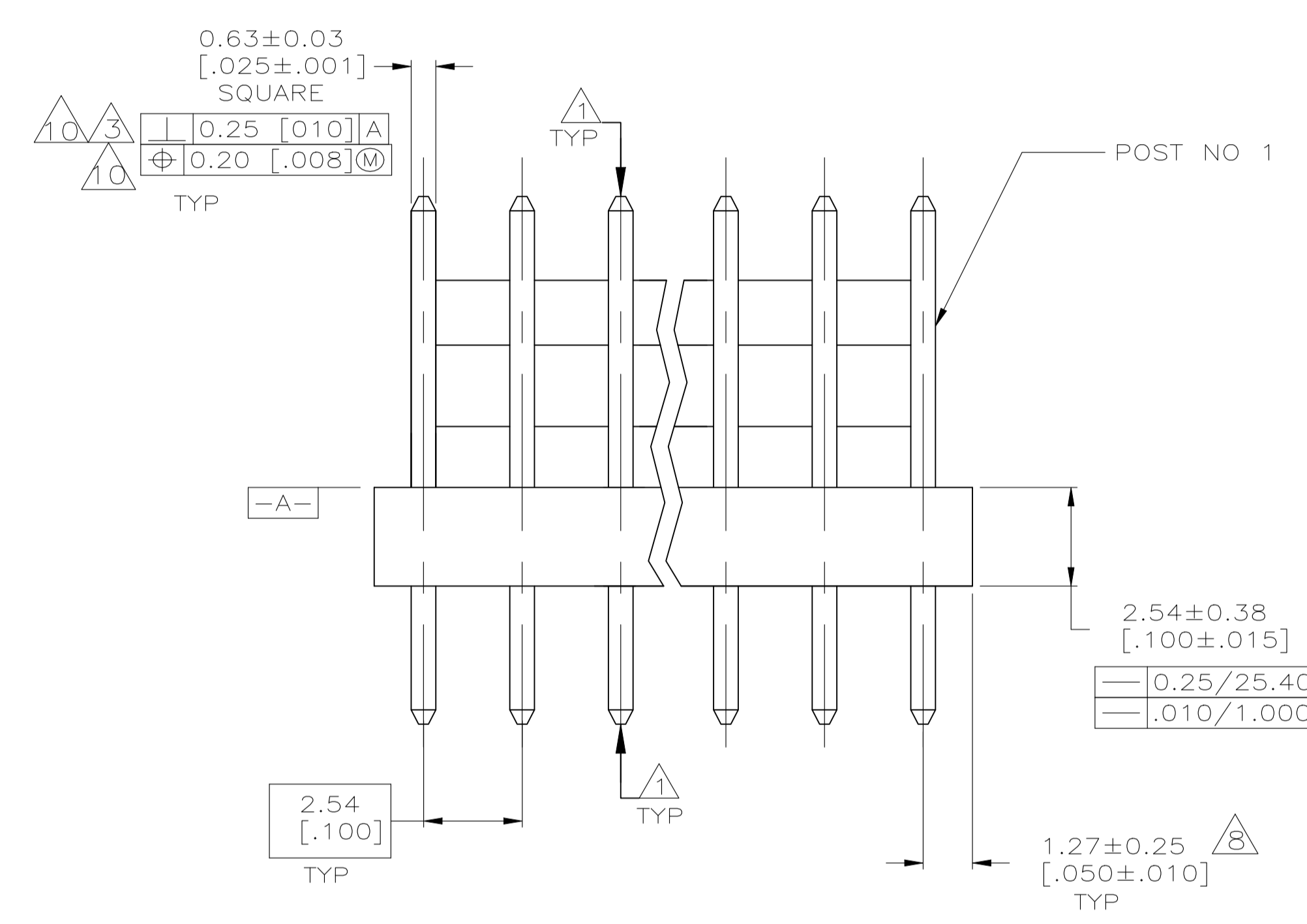
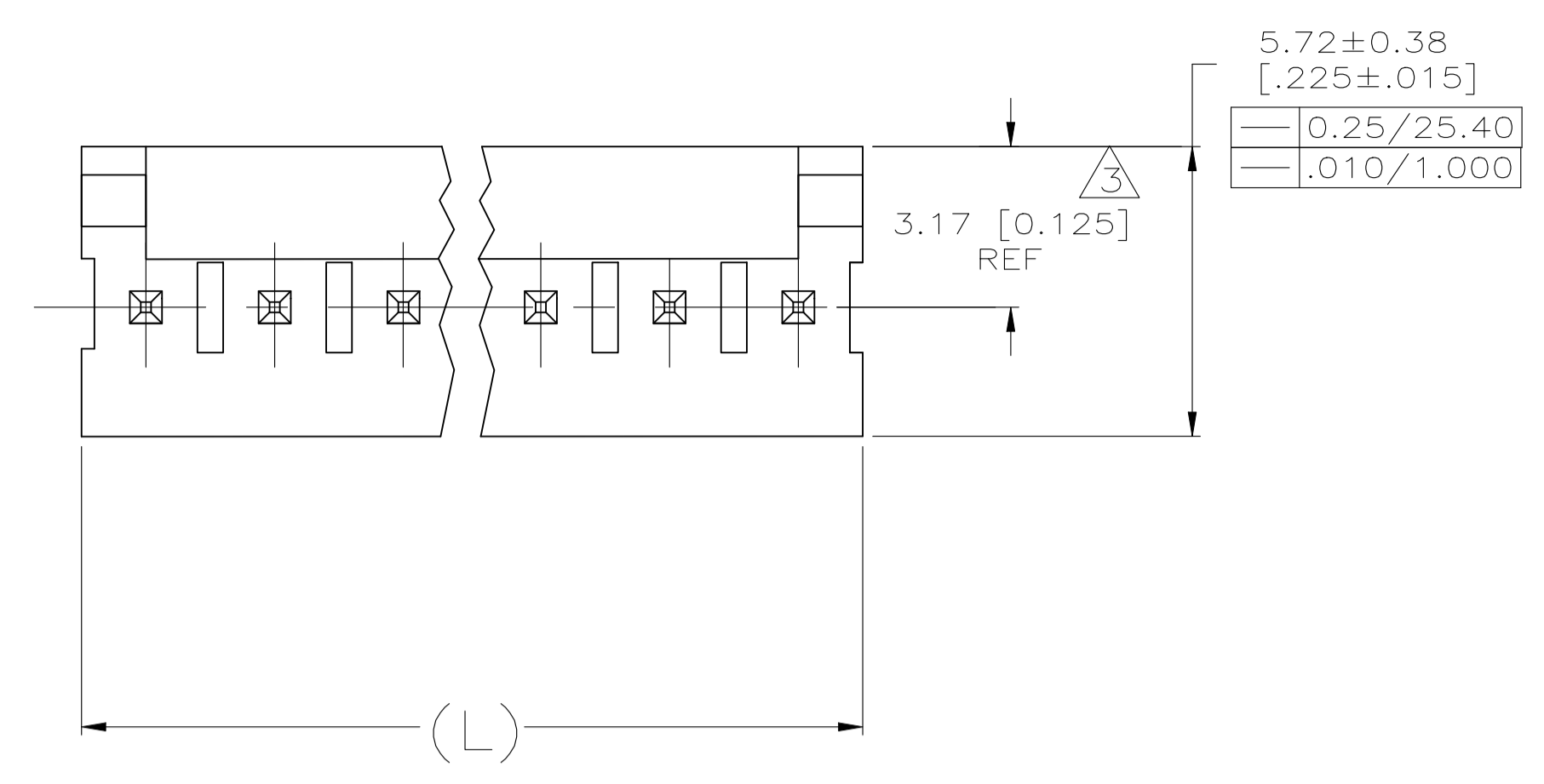


| REVISIONS | | | | |
|-----------|-----------|----|-----|------|
| REV | DATE | BY | CHK | APPD |
| AA5 | 06AUG2024 | MV | JP | |



RECOMMENDED MOUNTING HOLE PATTERN FOR 1.60 [0.063] THICK P.C. BOARD

- 1 POST TO WITHSTAND 13 NEWTONS (3 LBS) MINIMUM AXIAL FORCE IN BOTH DIRECTIONS SHOWN WITHOUT DISLODGING.
- 2 TOLERANCES APPLY TO SOLDER SIDE OF BOARD.
- 3 MEASURED AT -A-
- 4 PLASTIC FLASH PERMITTED IN THIS AREA.
- 5 PARTS COMPLY WITH AMP SOLDERABILITY SPEC. NO. 109-11-2.
- 6 ONE HOLE MAY BE UNDERSIZED 0.81-0.89 [0.032-.035] DIA. FOR ASSEMBLY RETENTION DURING WAVE SOLDERING.
- 7 MATERIAL: HEADER-THERMOPLASTIC POLYESTER
94V-0 (NATURAL)
POST-COPPER ALLOY
FINISH-USE PLATING NOTES 13 & 14 FOR -2 THRU -28
AND NOTES 13 & 15 FOR -32 THRU -58
- 8 COORDINATE DIMENSION APPLIES FROM CENTER OF ACTUAL FEATURE.
- 9 PLASTIC BURRS CAUSED BY CUT-OFF TOOLING ARE PERMITTED WITHIN THE MAXIMUM TOLERANCE ENVELOPE.
- 10 POSTS TO BE MEASURED WHEN STRIP IS HELD FLAT.
- 11 POST MUST WITHSTAND TWO 90° BENDS AGAINST EXTRUSION WITHOUT BREAKING.
- 12 DIMENSION SHOULD BE 3.30 [0.130] MIN WHEN MATING WITH A MTA-100 CONNECTOR ASSEMBLY OR A CST-100 CONNECTOR ASSEMBLY.
- 13 PLATING: GOLD PLATE AREA, 0.00038 [0.000015] GOLD OR 0.00008 [0.000003] MIN GOLD FLASH OVER 0.00030 [0.000012] PALLADIUM NICKEL, PER TE CONNECTIVITY'S DISCRETION, ALL SIDES, OVER NICKEL UNDERPLATE, 0.00127 [0.000050] MIN, ALL SIDES AND ENTIRE LENGTH OF POST.
- 14 PLATING: MATTE TIN PLATE AREA, 0.00381-0.00889 [0.000150-.000350] THICK, ALL FOUR SIDES 3.56 [0.140] MINIMUM.
- 15 PLATING: MATTE TIN PLATE AREA, 0.00381-0.00889 [0.000150-.000350] THICK, ALL FOUR SIDES 3.56 [0.140] MINIMUM.
- 16 OBSOLETE PARTS: OBSOLETE CIS STREAMLINING PER D.RENAUD/D.SINISI
- 17 PRELIMINARY-NOT FOR PRODUCTION.

| LEAD | POST NO. | DIM (L) | NO. OF POSN | ASSEMBLY |
|------------------|---------------|---------|-------------|----------|
| 2 | 7.62 [0.300] | 3 | 6-641126-3 | |
| NONE | 71.12 [2.800] | 28 | 5-641126-8 | |
| NONE | 68.58 [2.700] | 27 | 5-641126-7 | |
| NONE | 66.04 [2.600] | 26 | 5-641126-6 | |
| NONE | 63.50 [2.500] | 25 | 5-641126-5 | |
| NONE | 60.96 [2.400] | 24 | 5-641126-4 | |
| NONE | 58.42 [2.300] | 23 | 5-641126-3 | |
| NONE | 55.88 [2.200] | 22 | 5-641126-2 | |
| NONE | 53.34 [2.100] | 21 | 5-641126-1 | |
| NONE | 50.80 [2.000] | 20 | 5-641126-0 | |
| NONE | 48.26 [1.900] | 19 | 4-641126-9 | |
| NONE | 45.72 [1.800] | 18 | 4-641126-8 | |
| NONE | 43.18 [1.700] | 17 | 4-641126-7 | |
| NONE | 40.64 [1.600] | 16 | 4-641126-6 | |
| NONE | 38.10 [1.500] | 15 | 4-641126-5 | |
| NONE | 35.56 [1.400] | 14 | 4-641126-4 | |
| NONE | 33.02 [1.300] | 13 | 4-641126-3 | |
| NONE | 30.48 [1.200] | 12 | 4-641126-2 | |
| NONE | 27.94 [1.100] | 11 | 4-641126-1 | |
| NONE | 25.40 [1.000] | 10 | 4-641126-0 | |
| NONE | 22.86 [0.900] | 9 | 3-641126-9 | |
| NONE | 20.32 [0.800] | 8 | 3-641126-8 | |
| NONE | 17.78 [0.700] | 7 | 3-641126-7 | |
| NONE | 15.24 [0.600] | 6 | 3-641126-6 | |
| NONE | 12.70 [0.500] | 5 | 3-641126-5 | |
| NONE | 10.16 [0.400] | 4 | 3-641126-4 | |
| NONE | 7.62 [0.300] | 3 | 3-641126-3 | |
| NONE | 5.08 [0.200] | 2 | 3-641126-2 | |
| OMITTED POST NO. | | | | |

| LEAD | POST NO. | DIM (L) | NO. OF POSN | ASSEMBLY | REVISIONS |
|------------------|---------------|---------|-------------|----------|--------------------------|
| NONE | 71.12 [2.800] | 28 | 2-641126-8 | | SUPERSEDED BY 5-641126-8 |
| NONE | 68.58 [2.700] | 27 | 2-641126-7 | | SUPERSEDED BY 5-641126-7 |
| NONE | 66.04 [2.600] | 26 | 2-641126-6 | | SUPERSEDED BY 5-641126-6 |
| NONE | 63.50 [2.500] | 25 | 2-641126-5 | | SUPERSEDED BY 5-641126-5 |
| NONE | 60.96 [2.400] | 24 | 2-641126-4 | | SUPERSEDED BY 5-641126-4 |
| NONE | 58.42 [2.300] | 23 | 2-641126-3 | | SUPERSEDED BY 5-641126-3 |
| NONE | 55.88 [2.200] | 22 | 2-641126-2 | | SUPERSEDED BY 5-641126-2 |
| NONE | 53.34 [2.100] | 21 | 2-641126-1 | | SUPERSEDED BY 5-641126-1 |
| NONE | 50.80 [2.000] | 20 | 2-641126-0 | | SUPERSEDED BY 5-641126-0 |
| NONE | 48.26 [1.900] | 19 | 1-641126-9 | | SUPERSEDED BY 4-641126-9 |
| NONE | 45.72 [1.800] | 18 | 1-641126-8 | | SUPERSEDED BY 4-641126-8 |
| NONE | 43.18 [1.700] | 17 | 1-641126-7 | | SUPERSEDED BY 4-641126-7 |
| NONE | 40.64 [1.600] | 16 | 1-641126-6 | | SUPERSEDED BY 4-641126-6 |
| NONE | 38.10 [1.500] | 15 | 1-641126-5 | | SUPERSEDED BY 4-641126-5 |
| NONE | 35.56 [1.400] | 14 | 1-641126-4 | | SUPERSEDED BY 4-641126-4 |
| NONE | 33.02 [1.300] | 13 | 1-641126-3 | | SUPERSEDED BY 4-641126-3 |
| NONE | 30.48 [1.200] | 12 | 1-641126-2 | | SUPERSEDED BY 4-641126-2 |
| NONE | 27.94 [1.100] | 11 | 1-641126-1 | | SUPERSEDED BY 4-641126-1 |
| NONE | 25.40 [1.000] | 10 | 1-641126-0 | | SUPERSEDED BY 4-641126-0 |
| NONE | 22.86 [0.900] | 9 | 1-641126-9 | | SUPERSEDED BY 3-641126-9 |
| NONE | 20.32 [0.800] | 8 | 1-641126-8 | | SUPERSEDED BY 3-641126-8 |
| NONE | 17.78 [0.700] | 7 | 1-641126-7 | | SUPERSEDED BY 3-641126-7 |
| NONE | 15.24 [0.600] | 6 | 1-641126-6 | | SUPERSEDED BY 3-641126-6 |
| NONE | 12.70 [0.500] | 5 | 1-641126-5 | | SUPERSEDED BY 3-641126-5 |
| NONE | 10.16 [0.400] | 4 | 1-641126-4 | | SUPERSEDED BY 3-641126-4 |
| NONE | 7.62 [0.300] | 3 | 1-641126-3 | | SUPERSEDED BY 3-641126-3 |
| NONE | 5.08 [0.200] | 2 | 1-641126-2 | | SUPERSEDED BY 3-641126-2 |
| OMITTED POST NO. | | | | | |

THIS DRAWING IS A CONTROLLED DOCUMENT.

| | | | |
|-------------------------|----------------------------------------|---------------------------|-----------------------------|
| DIMENSIONS: mm [INCHES] | TOLERANCES UNLESS OTHERWISE SPECIFIED: | DIN S. HOOVER 26-JAN-2005 | APPROD D. BOSSI 26-JAN-2005 |
| 0 PL ± | 1 PL ± | 2 PL ± | 3 PL ± |
| 4 PL ± | ANGLES ± | | |

MATERIAL: 7 FINISH: 7

MTA100 HDR ASSY, FRICTION LOCK, NOTCHED, .025 SQUARE STRAIGHT POST, 108-1050

SIZE: 114-1019 WEIGHT: A1 00779 C=641126

CUSTOMER DRAWING SCALE: 8:1 SHEET: 1 of 1 REV: AA5