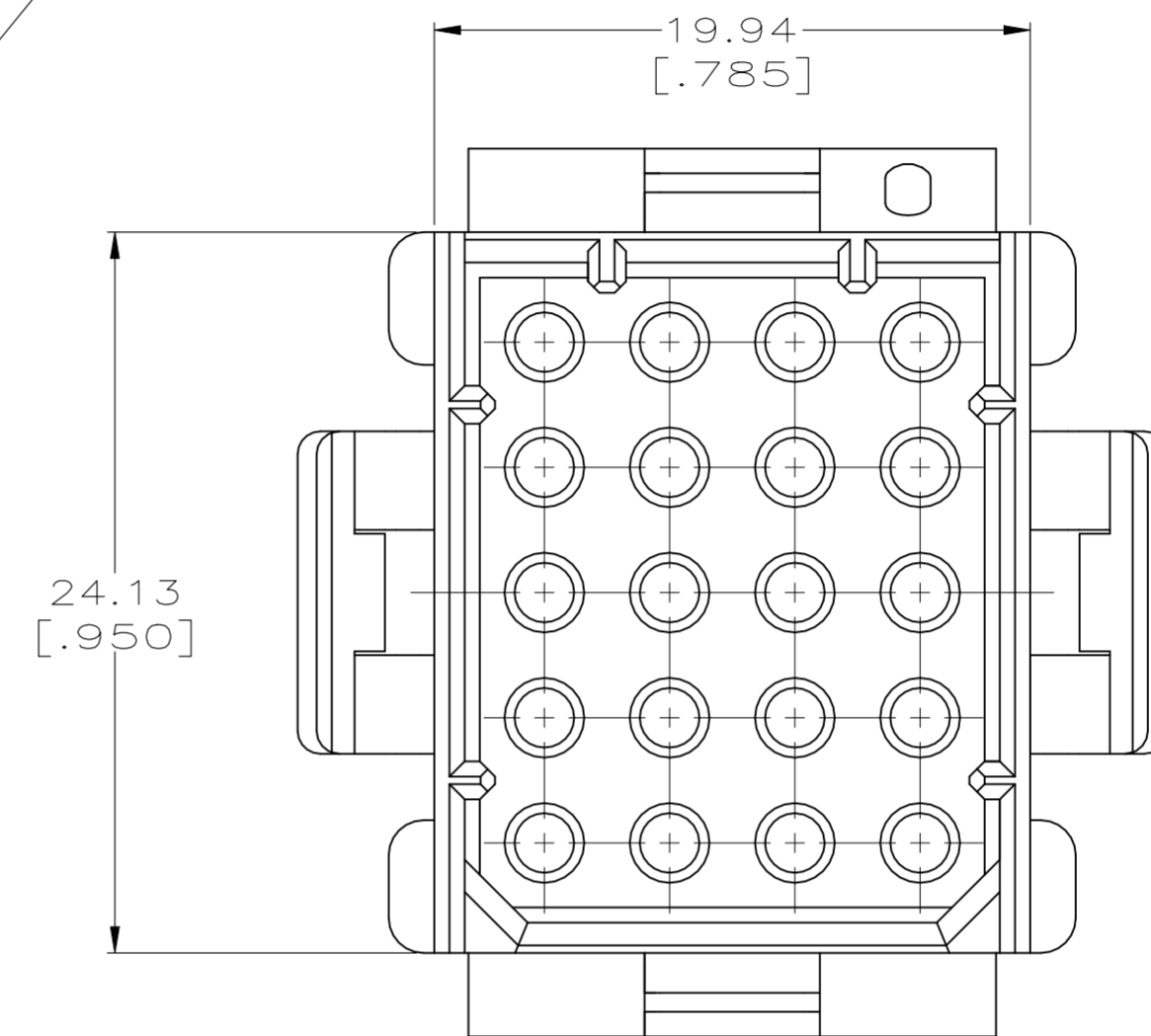
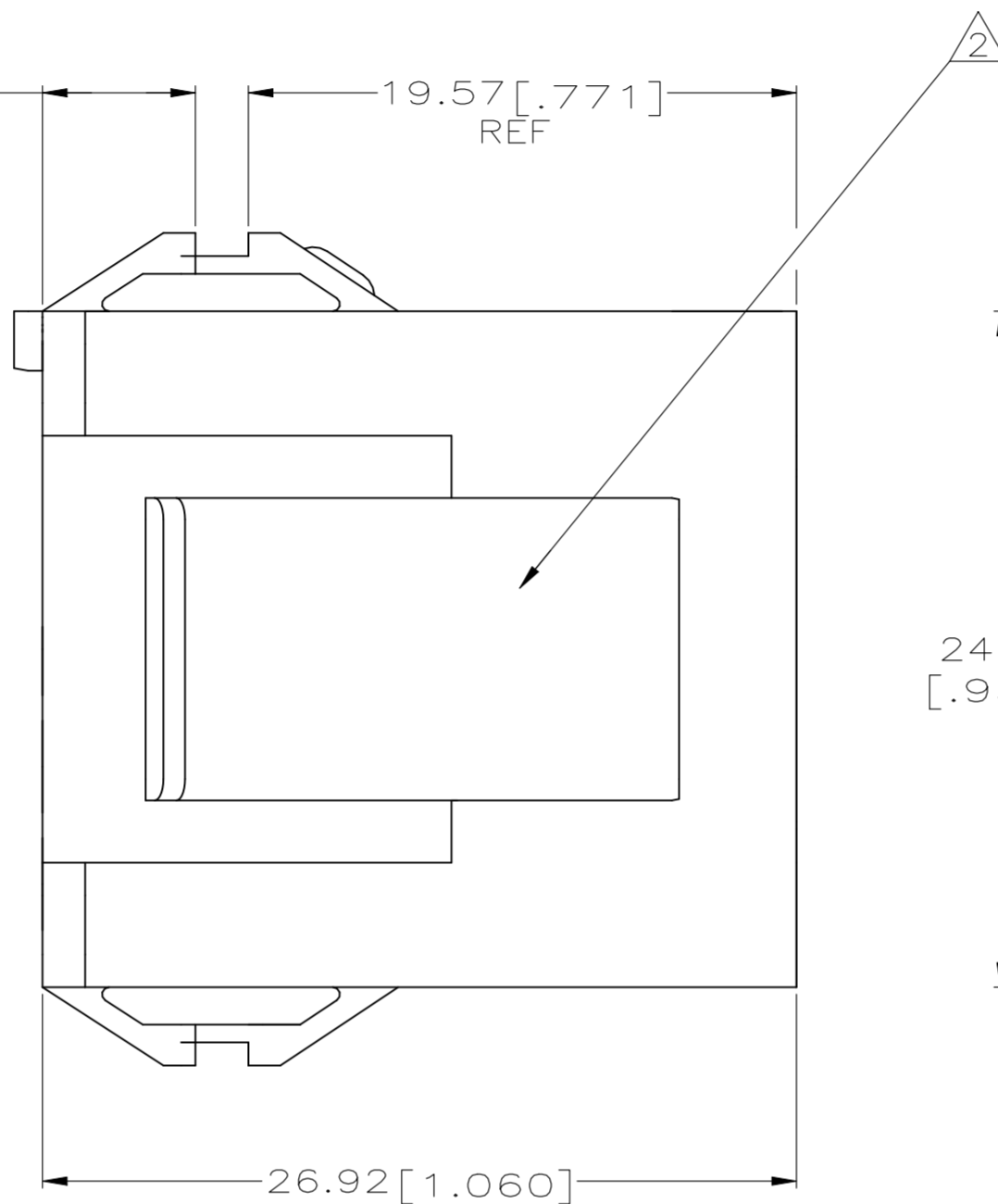
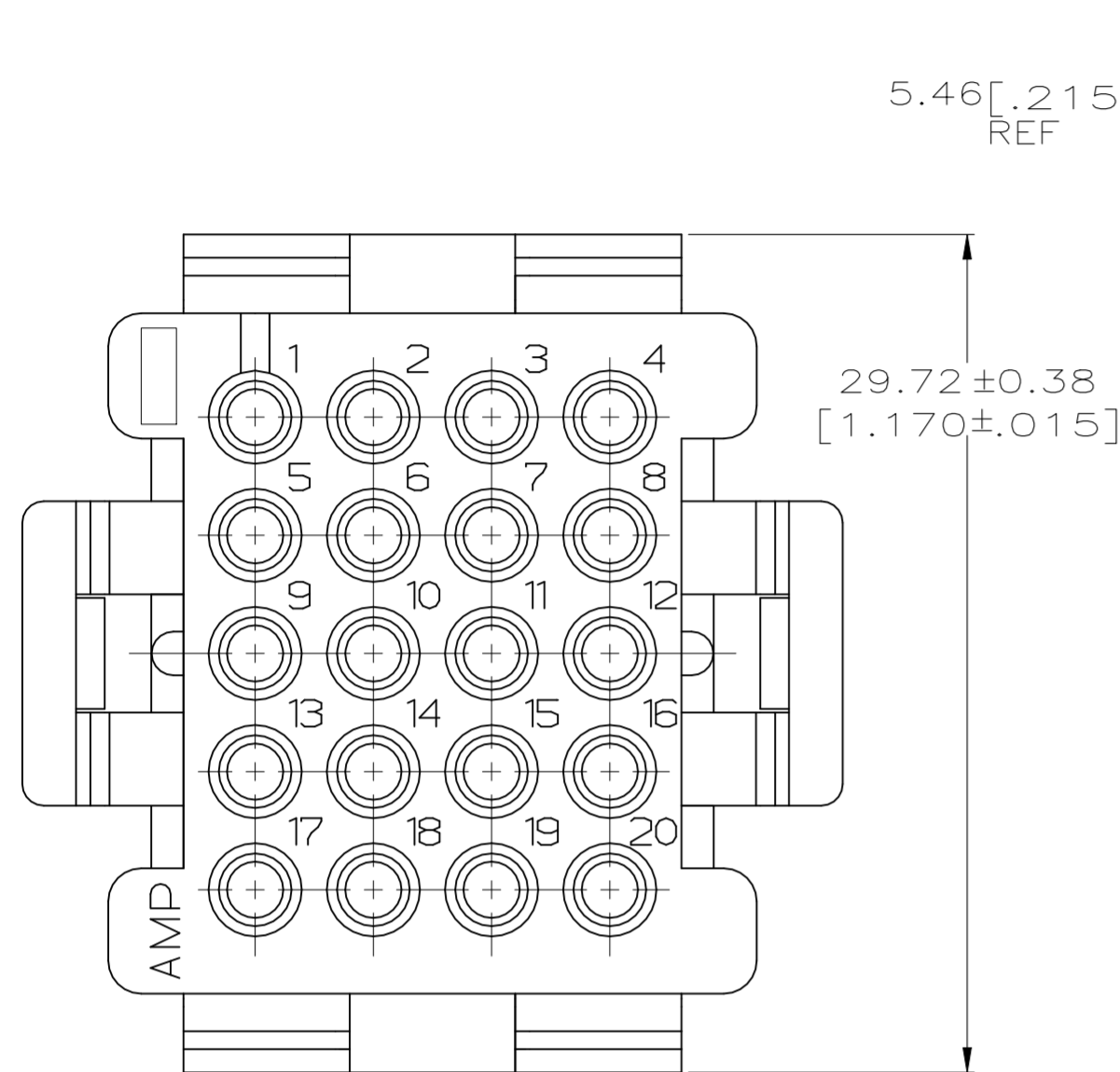
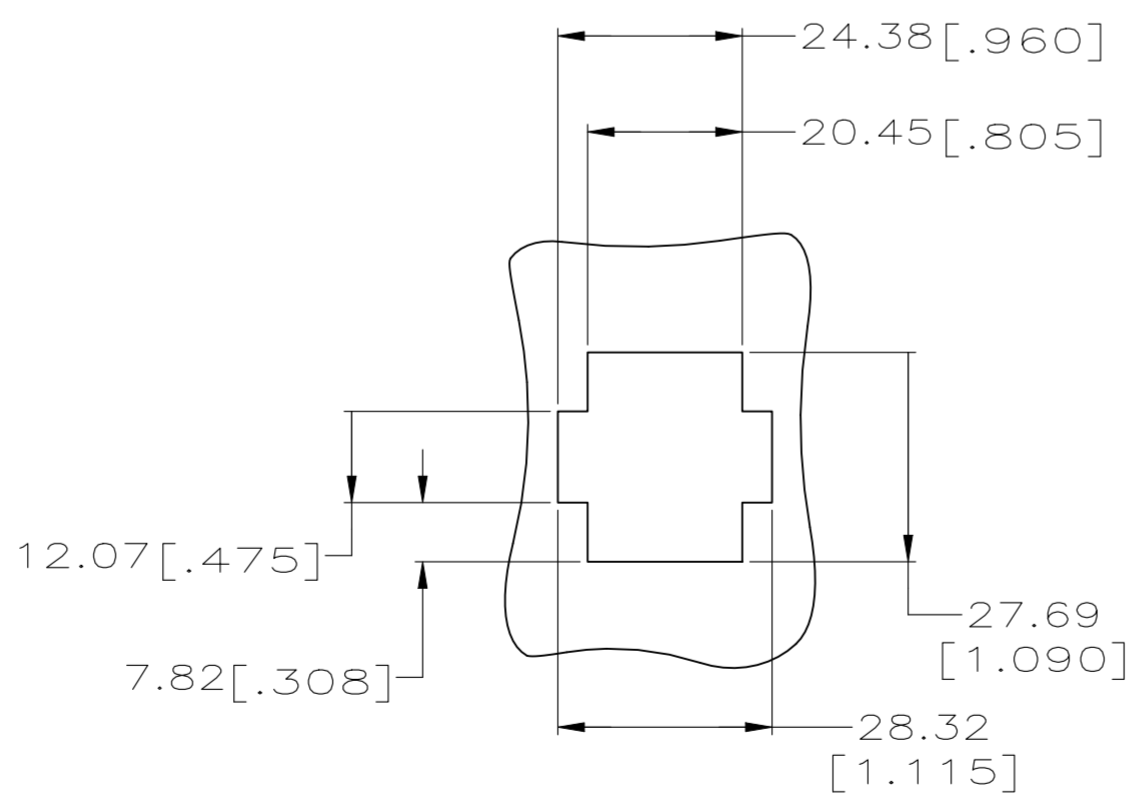
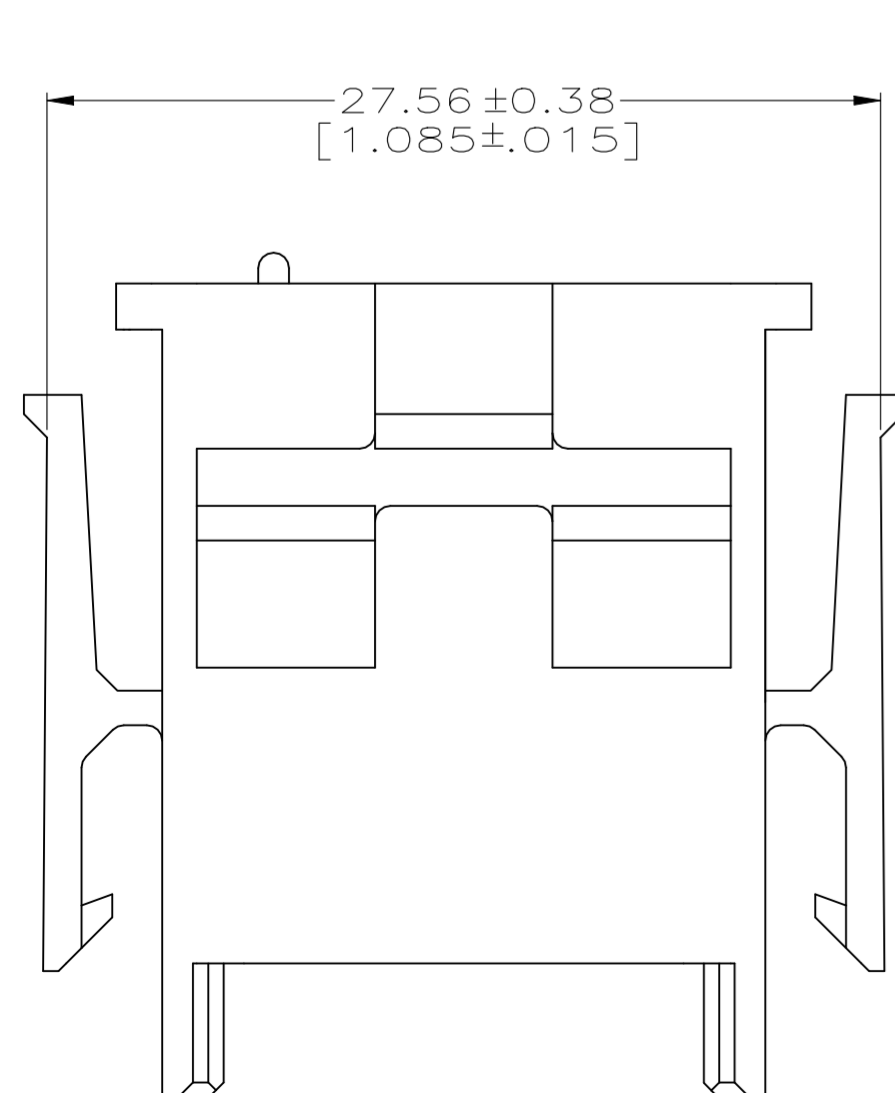


REVISIONS					
P	LTR	DESCRIPTION	DATE	DWN	APVD
E		ECO-21-006898	14DEC2021	RK	MZ



- 1. MATES WITH HOUSING 640524.
- 2. UL LOGO AND CSA LOGO TO APPEAR ON EITHER LATCH SURFACE PER AMP SPEC 202-20, I.D. NO. 1-18838-3 AND 1-18839-3. FROST BACKGROUND OPTIONAL.
- 3. DIMENSIONS IN BRACKETS ARE IN INCHES.
- 4. HOUSING MATERIAL: PA66, BLACK, UL 94 V-0 RATED



RECOMMENDED CUT OUT
FOR 1.73[.068] MAX THICK PANEL
SCALE 1:1

THIS DRAWING IS A CONTROLLED DOCUMENT.		DWN	R. VESTAL	7-12-96	TE TE Connectivity				
DIMENSIONS: mm [INCHES]		CHK	R. SWING	7-12-96					
TOLERANCES UNLESS OTHERWISE SPECIFIED:		APVD	A. BEDDICK	7-12-96	NAME				
0 PLC	± -	PRODUCT SPEC	HOUSING, CAP			SIZE	CAGE CODE	DRAWING NO	RESTRICTED TO
1 PLC	± -	APPLICATION SPEC	MRL			A2	00779	C=640514	-
2 PLC	± 0.13[.005]	WEIGHT	20 POSITION			SCALE	SHEET	REV	
3 PLC	± -	MATERIAL	CUSTOMER DRAWING			4:1	1 of 1	E	
4 PLC	± -	FINISH							
ANGLES	± 0° 30'								

1-640514-0
PART NUMBER