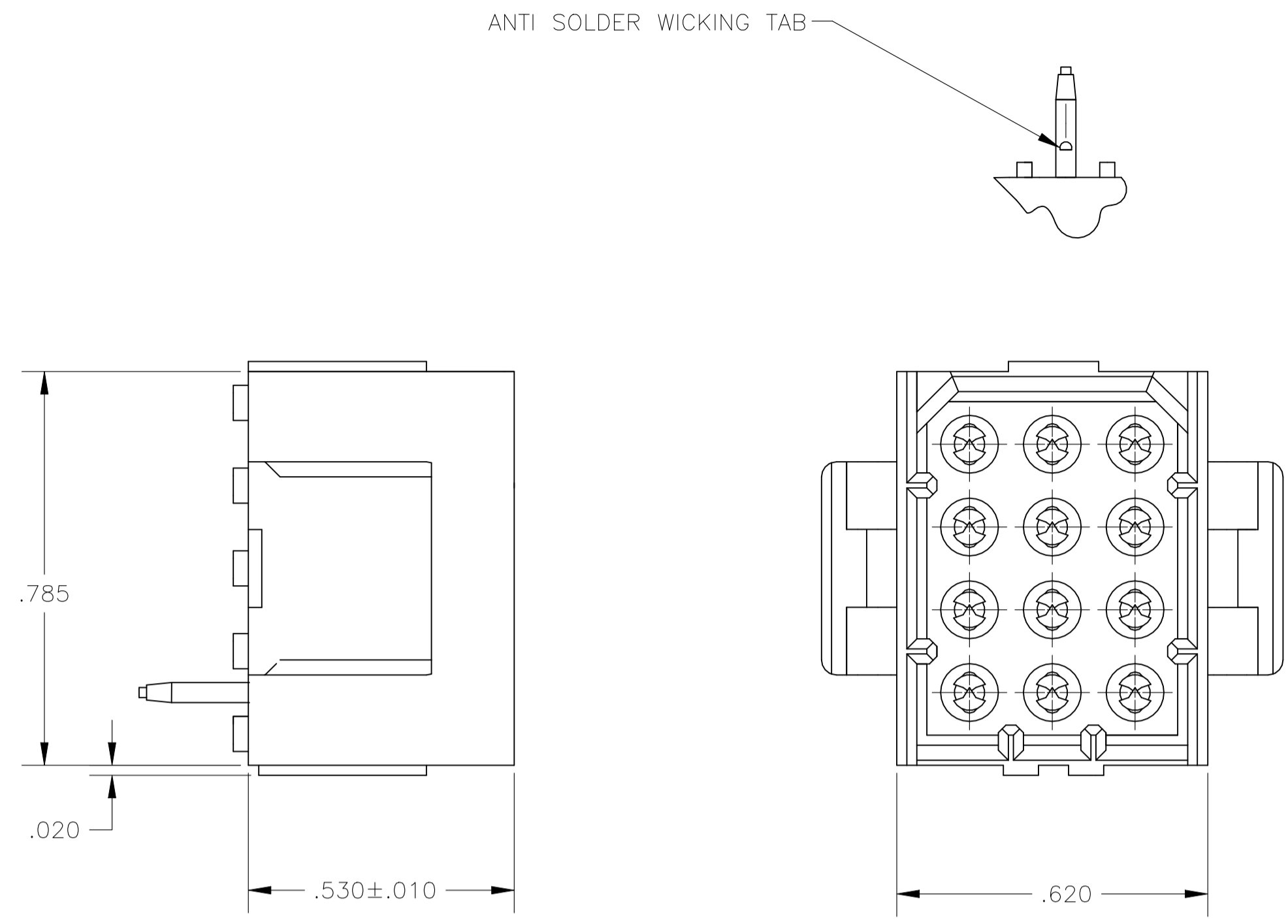
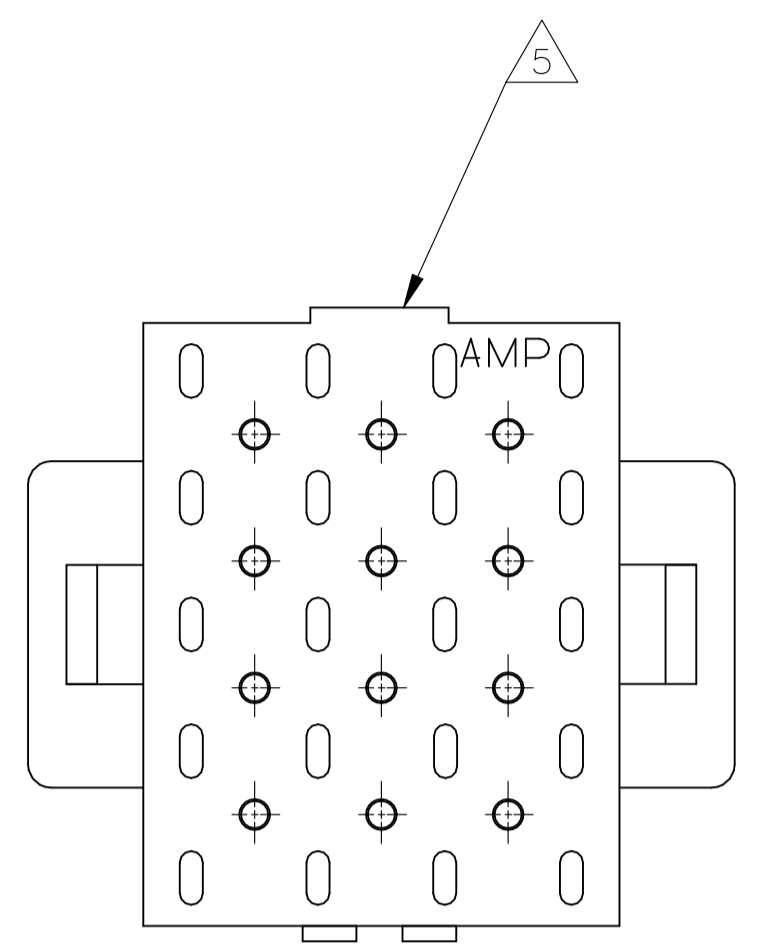
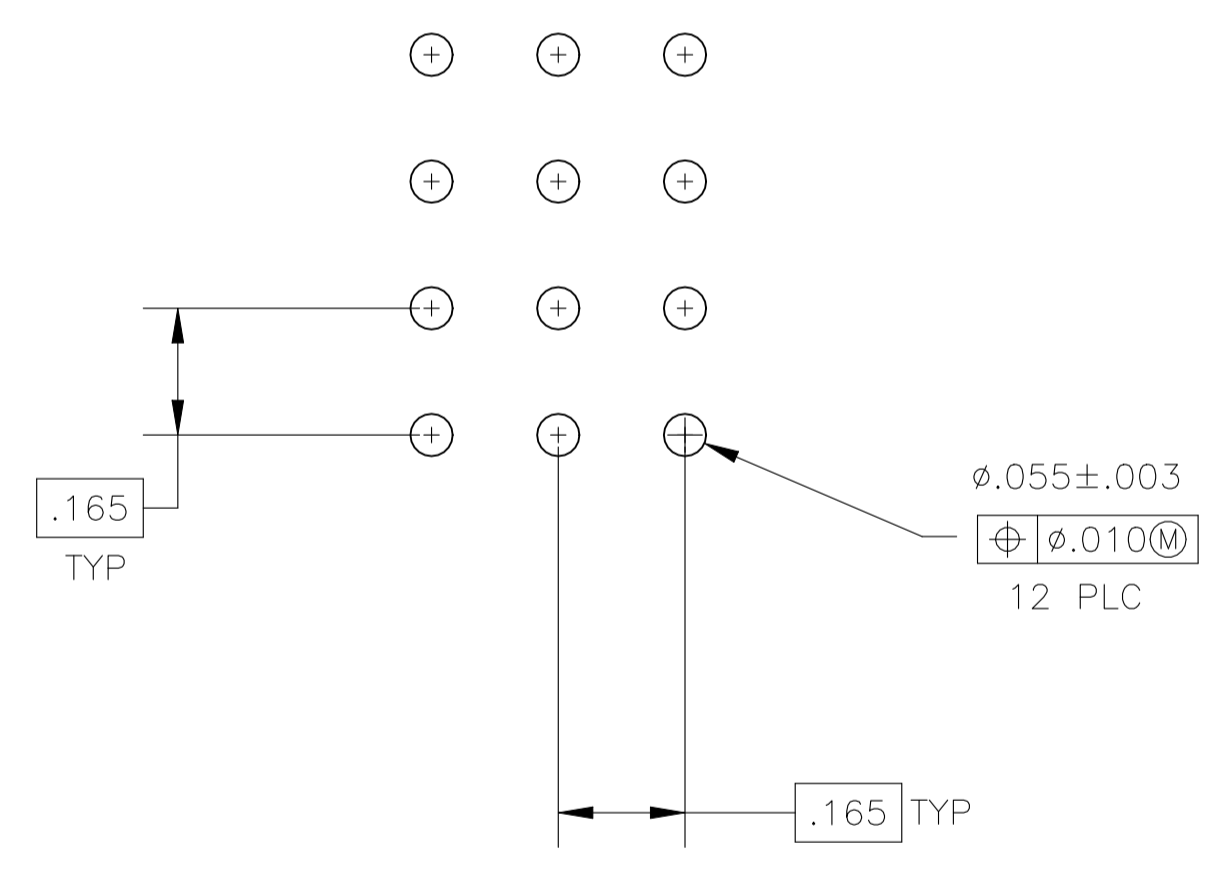


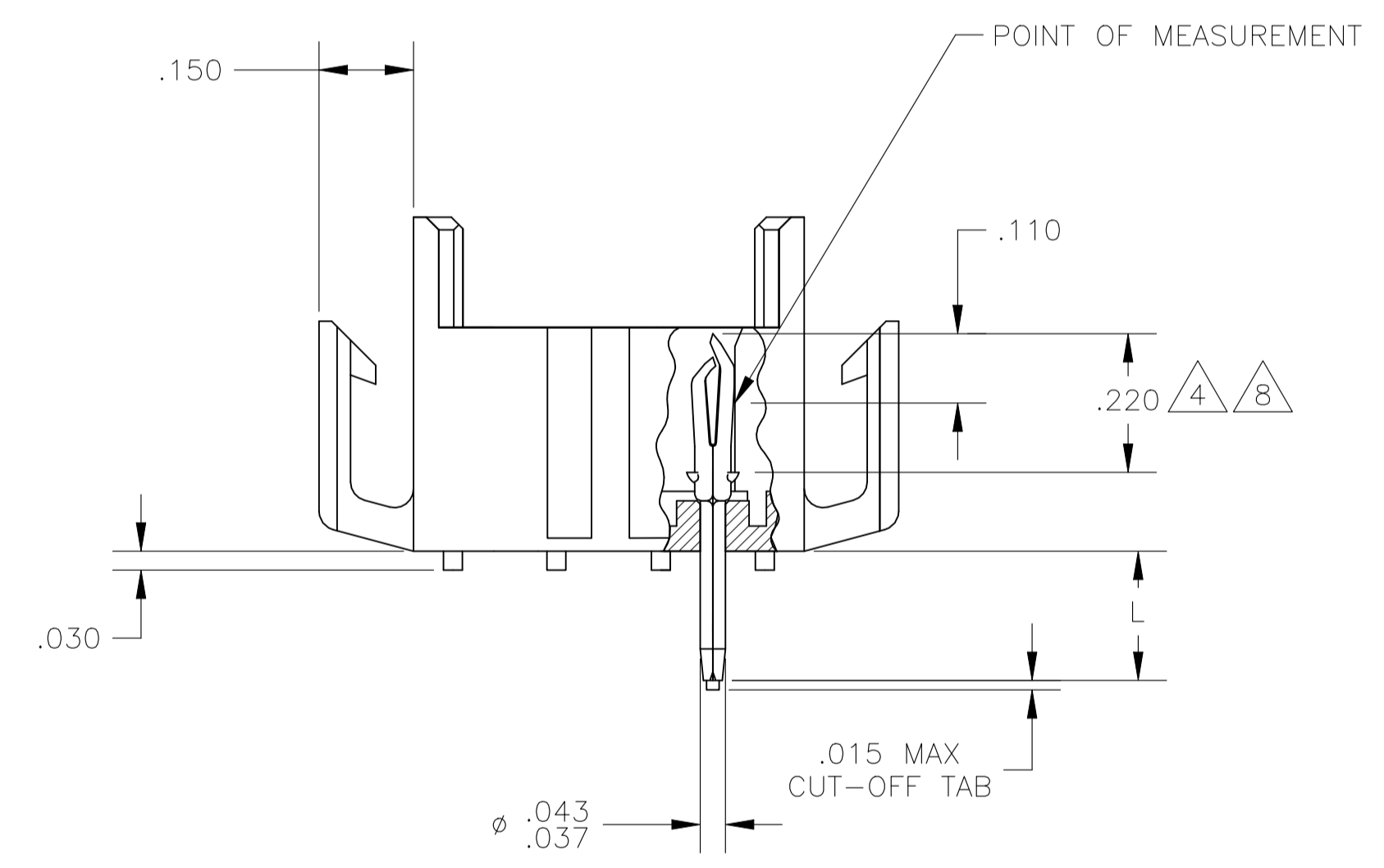
REVISIONS					
P	LTR	DESCRIPTION	DATE	DRN	APVD
T		ECO-21-006876	15DEC2021	RK	MZ



1. FITS SOCKET HOUSING 640522.
2. ASSEMBLY CONFORMS TO AMP SOLDERABILITY SPEC. 109-11-3.
3. FOR USE WITH .063 THICK P.C. BOARD.
4. CONTACT IS PLATED OVERALL WITH .000050 NICKEL, THEN .000030 GOLD OVER CONTACT LENGTH INDICATED AND .000150 MATTE TIN-LEAD ON SOLDER TAIL END.
5. UL AND CSA LOGO LOCATED ON THIS SURFACE.
6. FOR USE WITH .120 THICK P.C. BOARD.
7. FOR USE WITH .093 THICK P.C. BOARD.
8. CONTACT IS PLATED OVERALL WITH .000050 NICKEL, THEN .000030 GOLD OVER CONTACT LENGTH INDICATED AND .000150 MATTE TIN ON SOLDER TAIL END.
9. OBSOLETE PARTS: OBSOLETE CIS STREAMLINING PER D.RENAUD/D.SINISI
10. HOUSING MATERIAL: PA66, BLACK, UL 94 V-0 RATED
CONTACT MATERIAL: PHOSPHOR BRONZE



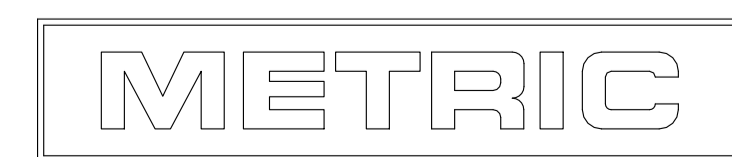
RECOMMENDED P.C. BOARD LAYOUT



9	OBSOLETE	.180	7	GOLD	8	2-640502-6
		.210	6	GOLD	8	2-640502-4
		.150	3	GOLD	8	2-640502-2
	OBSOLETE	.180	7	GOLD	4	640502-6
		.210	6	GOLD	4	640502-4
		.210	6	PRE-TIN		640502-3
		.150	3	GOLD	4	640502-2
		.150	3	PRE-TIN		640502-1
		"L" ±.010 -.020		PIN FINISH		PART NUMBER

IN	MM	IN	MM	IN	MM	IN	MM
.010	0.25	.055	1.40	.210	5.33	-	-
.008	0.20	.043	1.09	.180	4.57	-	-
.005	0.13	.037	0.94	.165	4.19	.785	19.94
.003	0.08	.030	0.76	.150	3.81	.620	15.75
.000050	0.00127	.020	0.51	.110	2.79	.530	13.46
.000030	0.00076	.015	0.38	.063	1.60	.220	5.59

CONVERSION TABLE



THIS DRAWING IS A CONTROLLED DOCUMENT.

DIMENSIONS: INCHES	TOLERANCES UNLESS OTHERWISE SPECIFIED:	DIN J. HUFFMAN 28 APR 98	CHK R. SWING 28 APR 98	TE Connectivity	
0. PLC ± -	1. PLC ± -	APVD T. REDDICK 28 APR 98	NAME	SIZE	CAGE CODE
2. PLC ± -	3. PLC ± .005	APPLICATION SPEC	PRODUCT SPEC	WEIGHT	DRAWING NO
4. PLC ANGLES ± 0° 30'	FINISH SEE FINISH	RESTRICTED TO	SCALE	SHEET	REV
MATERIAL 10	FINISH SEE FINISH	CUSTOMER DRAWING	A1	00779	640502