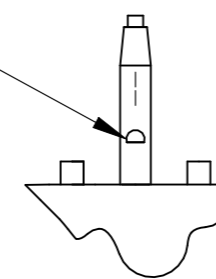
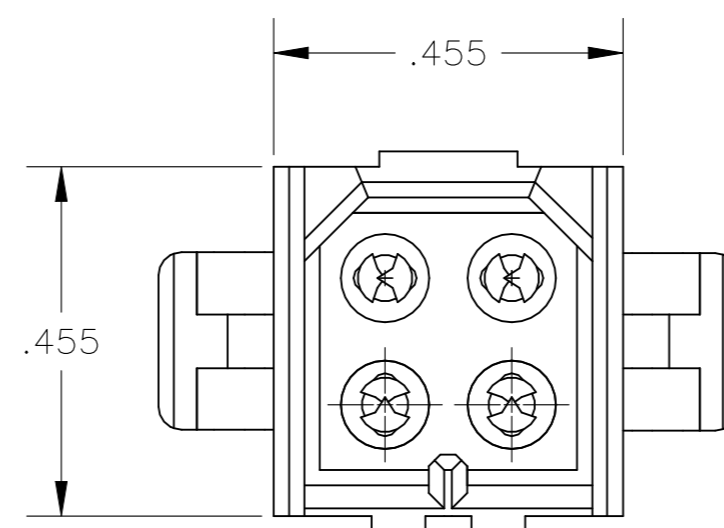
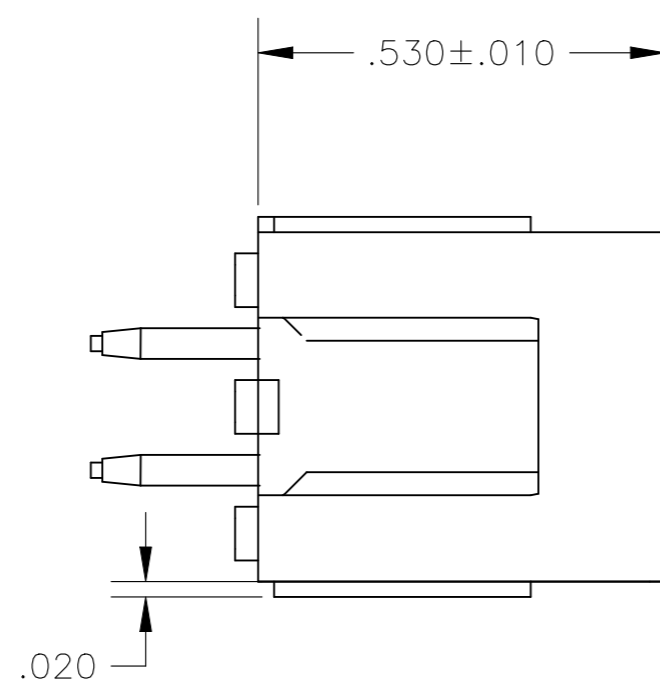
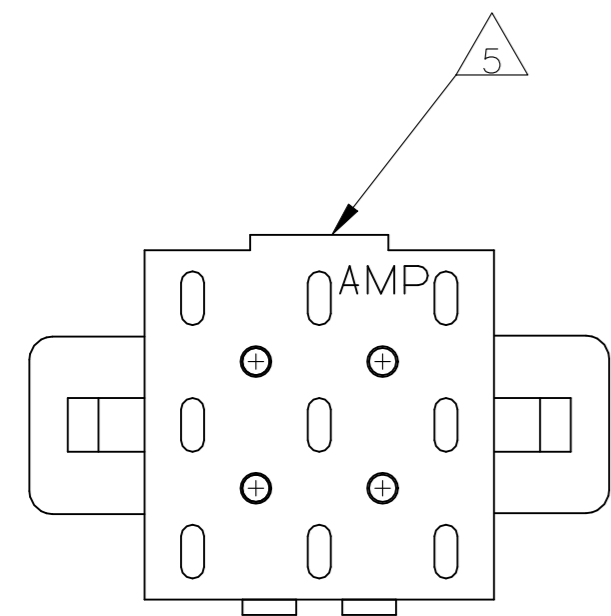
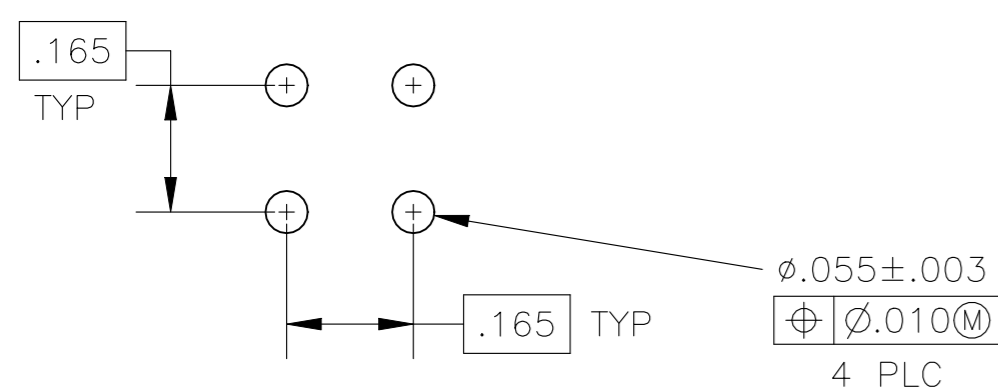


REVISIONS					
P	LTR	DESCRIPTION	DATE	DWN	APVD
R		REVISED PER ECO-21-006873	11AUG2021	RK	MZ

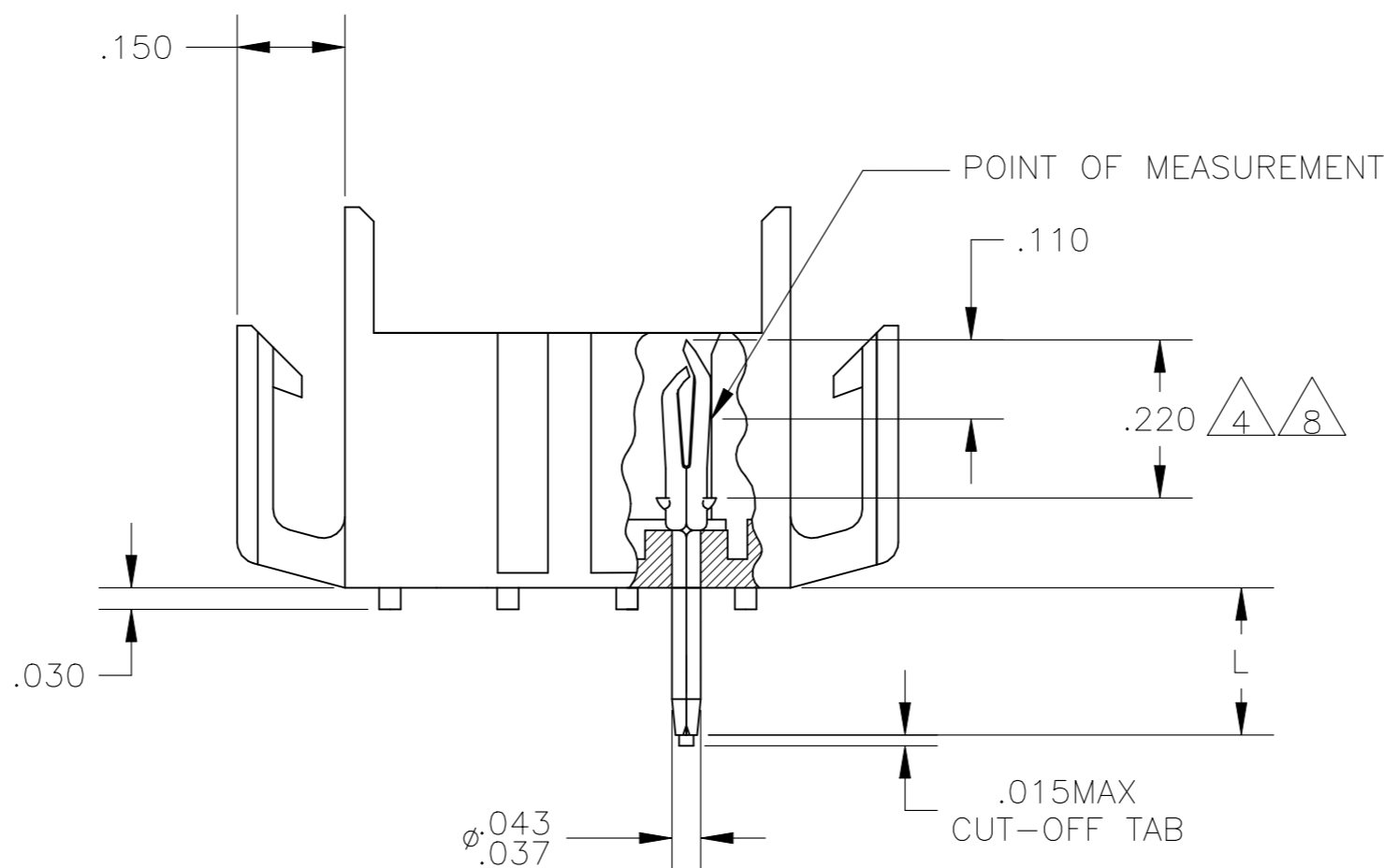


ANTI SOLDER WICKING TAB

1. FITS SOCKET HOUSING 640519.
2. ASSEMBLY CONFORMS TO AMP SOLDERABILITY SPEC. 109-11-3.
3. FOR USE WITH .063 THICK P.C. BOARD.
4. CONTACT IS PLATED OVERALL WITH .000050 NICKEL, THEN .000030 GOLD OVER CONTACT LENGTH INDICATED AND .000150 MATTE TIN-LEAD ON SOLDER TAIL END.
5. UL AND CSA LOGO LOCATED ON THIS SURFACE.
6. FOR USE WITH .120 THICK P.C. BOARD.
7. FOR USE WITH .093 THICK P.C. BOARD.
8. CONTACT IS PLATED OVERALL WITH .000050 NICKEL, THEN .000030 GOLD OVER CONTACT LENGTH INDICATED AND .000150 MATTE TIN ON SOLDER TAIL END.
9. OBSOLETE PARTS: OBSOLETE CIS STREAMLINING PER D.RENAUD/D.SINISI
10. HOUSING MATERIAL: PA66, BLACK, UL 94 V-0 RATED
CONTACT MATERIAL: PHOSPHOR BRONZE



RECOMMENDED P.C. BOARD LAYOUT



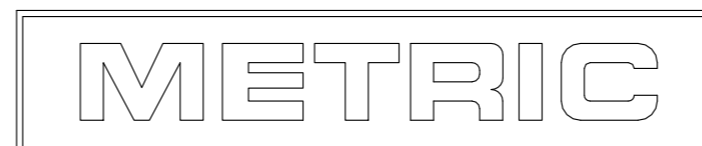
POINT OF MEASUREMENT

.015MAX CUT-OFF TAB

OBSOLETE	.180	GOLD	2-640499-6
	.210	GOLD	2-640499-4
	.150	GOLD	2-640499-2
OBSOLETE	.180	GOLD	640499-6
	.210	GOLD	640499-4
	.210	PRE-TIN	640499-3
	.150	GOLD	640499-2
	.150	PRE-TIN	640499-1
	"L" +.010 -.020	PIN FINISH	PART NUMBER

.010	0.25	.055	1.40	.210	5.33	-	-
.008	0.20	.043	1.09	.180	4.57	-	-
.005	0.13	.037	0.94	.165	4.19	-	-
.003	0.08	.030	0.76	.150	3.81	.530	13.46
.000050	0.00127	.020	0.51	.110	2.79	.455	11.56
.000030	0.00076	.015	0.38	.063	1.60	.220	5.59
IN	MM	IN	MM	IN	MM	IN	MM

CONVERSION TABLE



THIS DRAWING IS A CONTROLLED DOCUMENT.

DIMENSIONS:	TOLERANCES UNLESS OTHERWISE SPECIFIED:
INCHES	0 PLC ± -
	1 PLC ± -
	2 PLC ± -
	3 PLC ± .005
	4 PLC ± -
	ANGLES ± 0°30'
MATERIAL	FINISH
	SEE TABLE

DWN	J. HUFFMAN	27APR98
CHK	R. SWING	27APR98
APVD	T. BEDDICK	27APR98
PRODUCT SPEC		
APPLICATION SPEC		
WEIGHT		
CUSTOMER DRAWING	SCALE 4:1	SHEET 1 OF 1
REV R		



HEADER ASSEMBLY, PIN, 4 POSITION, MR.

SIZE	A2	CAGE CODE	00779	DRAWING NO	C-640499	RESTRICTED TO	-
------	----	-----------	-------	------------	----------	---------------	---