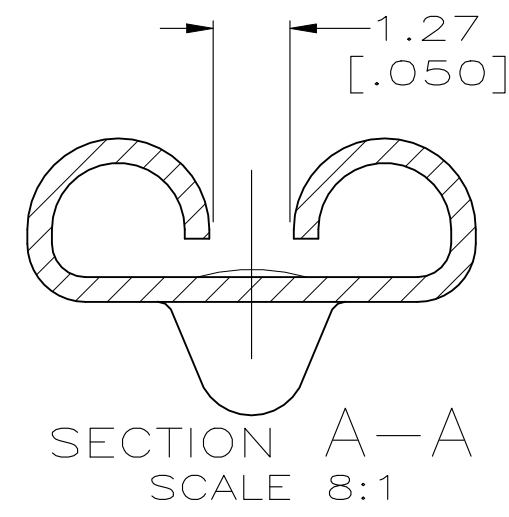
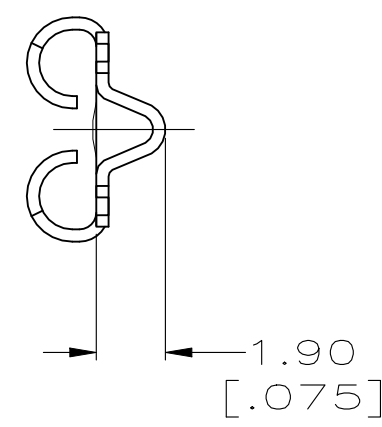
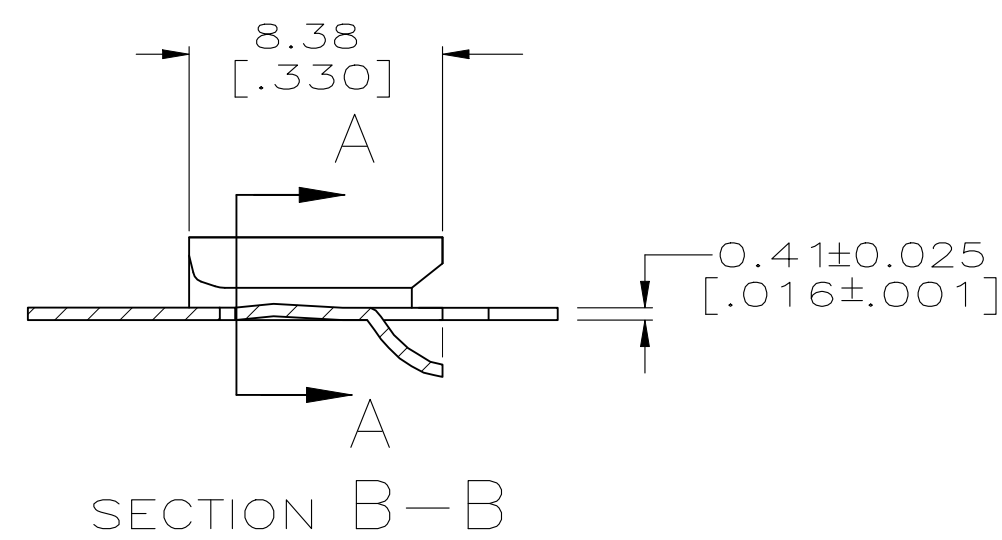
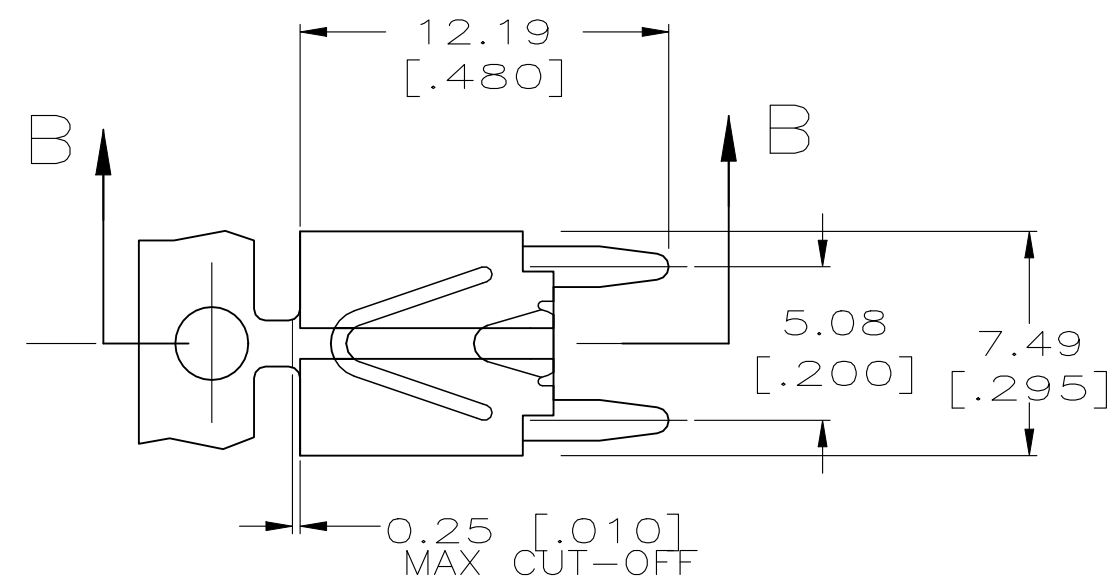
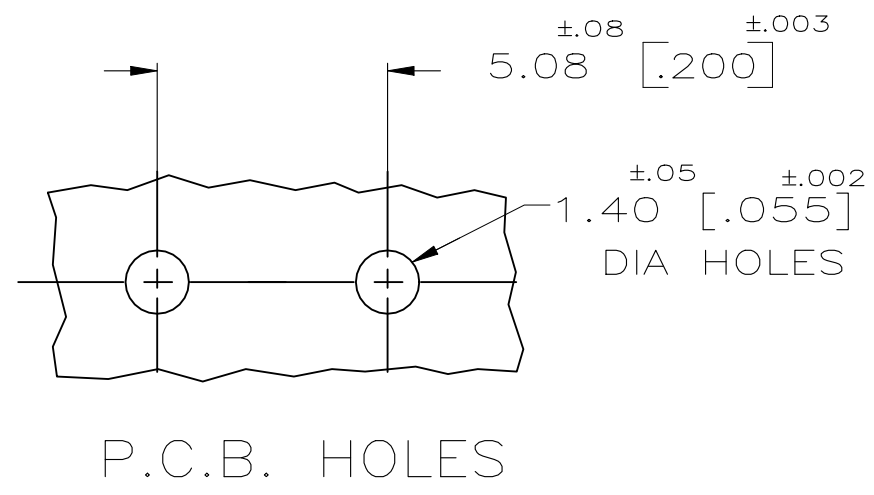


REVISIONS				
P	LTR	DESCRIPTION	DATE	APVD
	D	REVISED PER ECN-23-241256	08MAY2024	DB BW



- 1 CONTINUOUS STRIP ON REELS.
- 2 0.00254 [.000100] MIN THK TIN OVER 0.00127 [.000050] MIN NICKEL.
- 3 MATING TAB THK IS 0.81±0.025 [.032±.001].



63968-1
PART NO.

THIS DRAWING IS A CONTROLLED DOCUMENT.		DWN JR RUTH 2/18/97	TE Connectivity		
DIMENSIONS: INCHES		CHK MS FEHER 2/18/97			
TOLERANCES UNLESS OTHERWISE SPECIFIED:		APVD 2/18/97 2/18/97 - P DESANTIS V KARABCIEVSCHY	NAME RECEPTACLE, L.I.F. FASTON™ 6.35/5.21 [.250/.205] SERIES, PC BOARD MOUNTED		
0 PLC ± - 1 PLC ± - 2 PLC ± 0.25 [.010] 3 PLC ± - 4 PLC ± - ANGLES ± -		PRODUCT SPEC 108-1706	SIZE A3		
MATERIAL BRASS		FINISH TIN OVER NICKEL	APPLICATION SPEC 114-2156	CAGE CODE 00779	DRAWING NO C-63968
		WEIGHT 0.000000	RESTRICTED TO -		SCALE 4:1
		CUSTOMER DRAWING	SHEET 1 OF 1		REV D