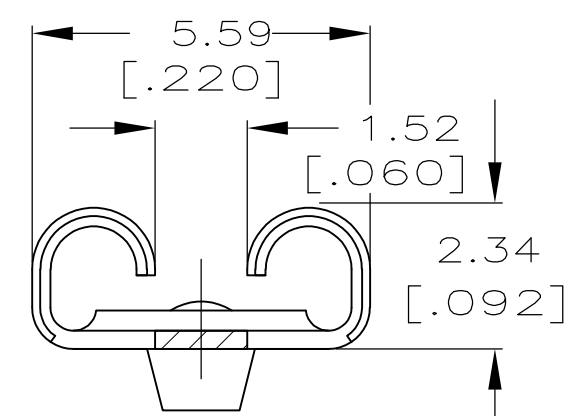
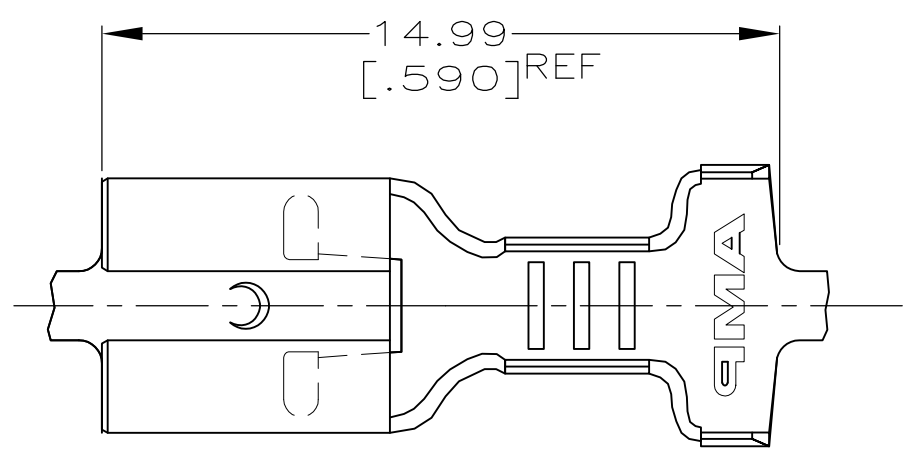
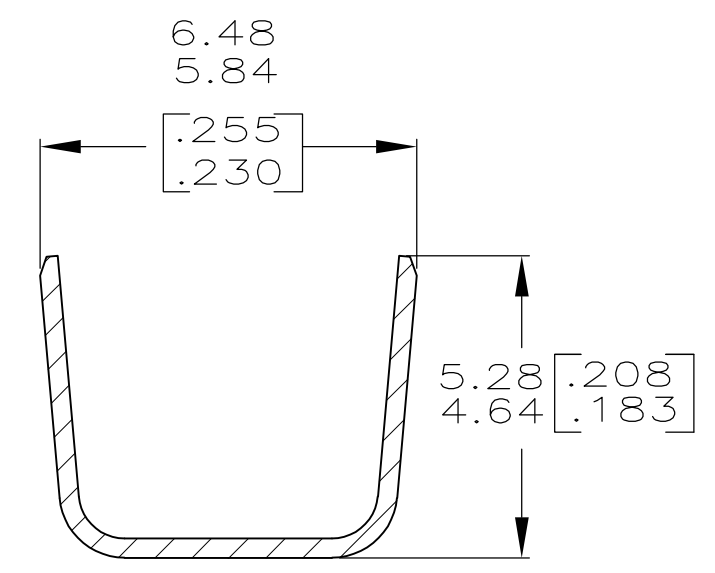
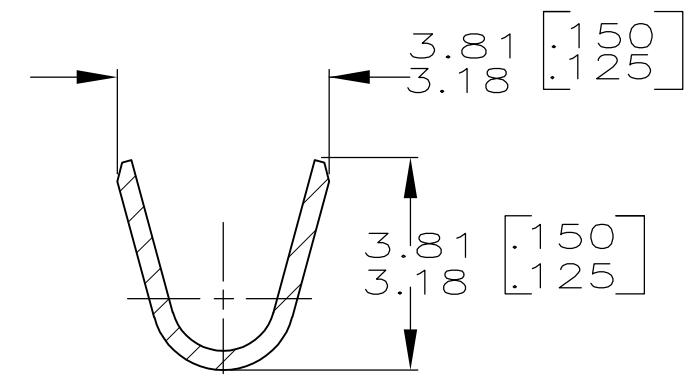
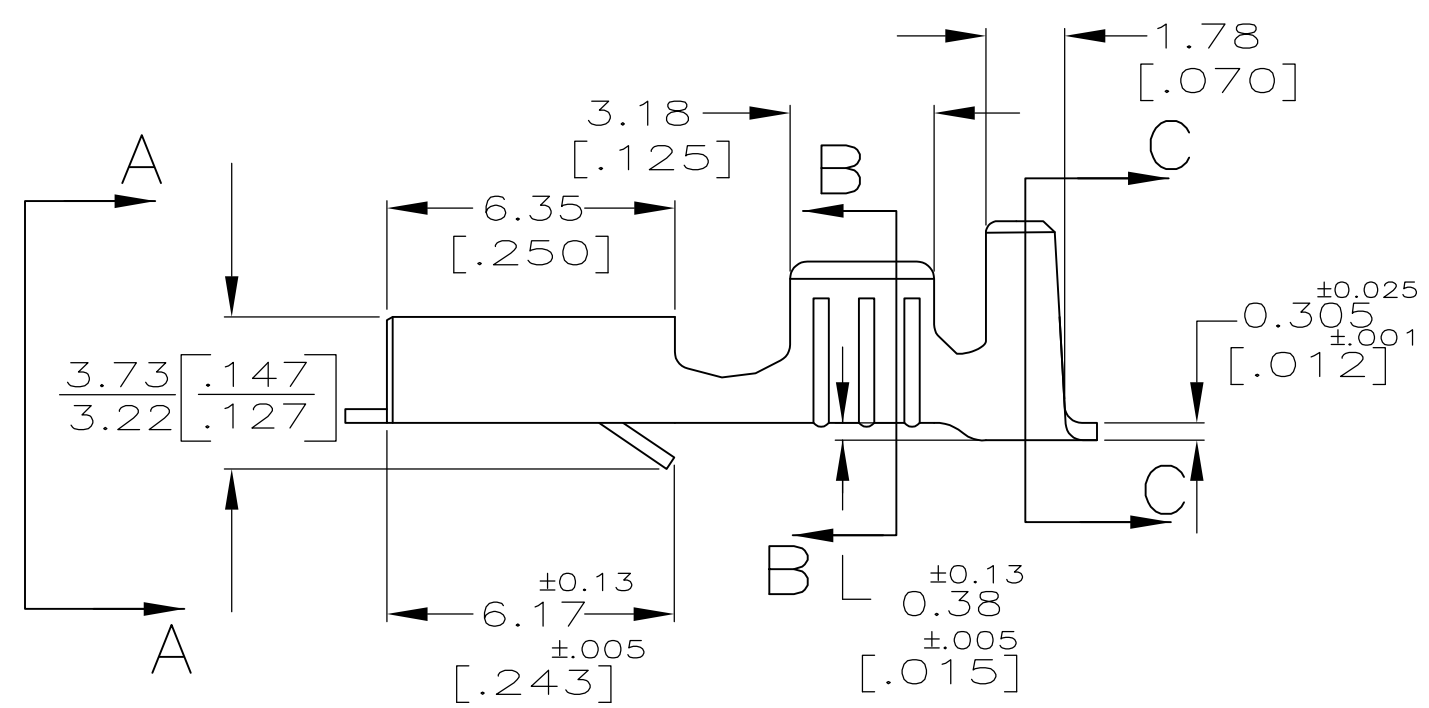


THIS DRAWING IS UNPUBLISHED. RELEASED FOR PUBLICATION
 © COPYRIGHT - By - ALL RIGHTS RESERVED.

| LOC | DIST | REVISIONS | | | | | |
|-----|------|-----------|-----|---------------------------|-----------|-----|------|
| AF | 50 | P | LTR | DESCRIPTION | DATE | DWN | APVD |
| | | E | | REVISED PER ECR-13-005733 | 26AUG2013 | KH | PD |



1 CONTINUOUS STRIP ON REELS



| | | | |
|--|-------------------------------|----------------------------|---------|
| 3.30-4.83 OR (2)2.79 MAX [.130-.190 OR (2).110 MAX] | [#18-#14] AWG OR (2) #18'S | 0.813±0.025 [.032±.001] | 63833-1 |
| INSUL RANGE | WIRE SIZE | MATING TAB THICKNESS | PART NO |

| | | | | |
|---|--|-------------------------------|--|--------------------|
| THIS DRAWING IS A CONTROLLED DOCUMENT. | | DWN JR RUTH 3/3/95 | STE TE Connectivity | |
| DIMENSIONS: mm [INCHES] | | CHK MS FEHER 3/3/95 | | |
| TOLERANCES UNLESS OTHERWISE SPECIFIED: | | APVD J GILLESPIE 3/3/95 | NAME RECEPTACLE, FASTON-FASTON™4.75 [.187] SERIES | |
| 0 PLC ± - 1 PLC ± - 2 PLC ± - 3 PLC ± 0.25 [.010] 4 PLC ± - ANGLES ± - | | PRODUCT SPEC - | APPLICATION SPEC 114-2065 | |
| MATERIAL BRASS | | FINISH - | WEIGHT - | RESTRICTED TO - |
| CUSTOMER DRAWING | | | SIZE A3 | CAGE CODE 00779 |
| | | | DRAWING NO C-63833 | SCALE 6:1 |
| | | | SHEET 1 OF 1 | REV E |