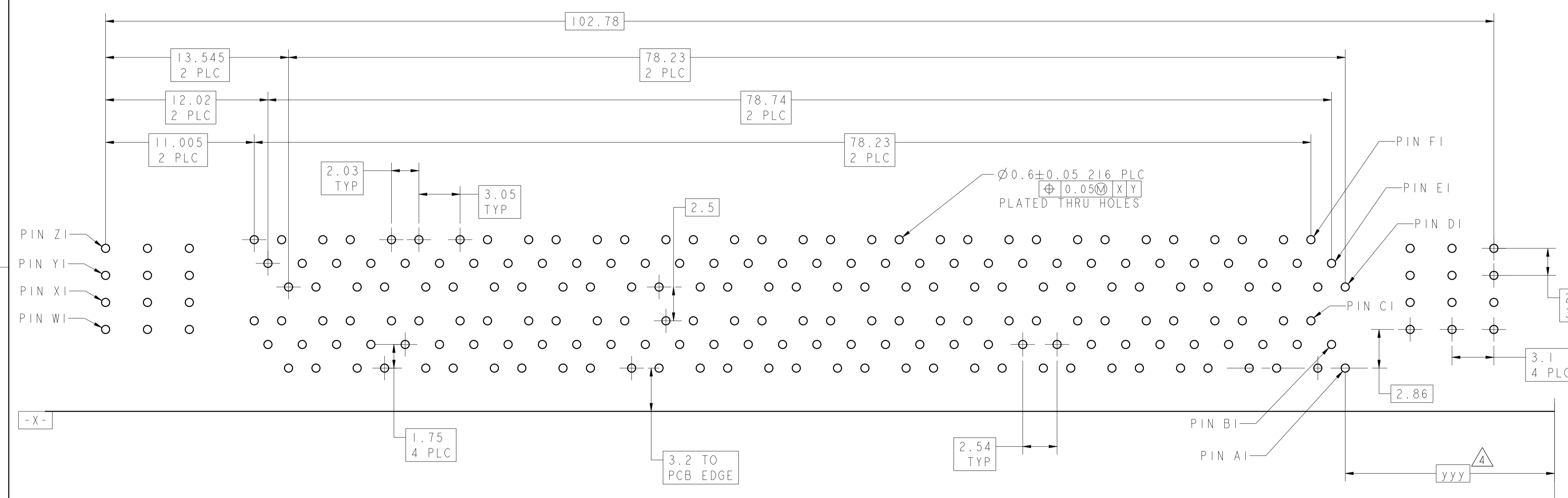
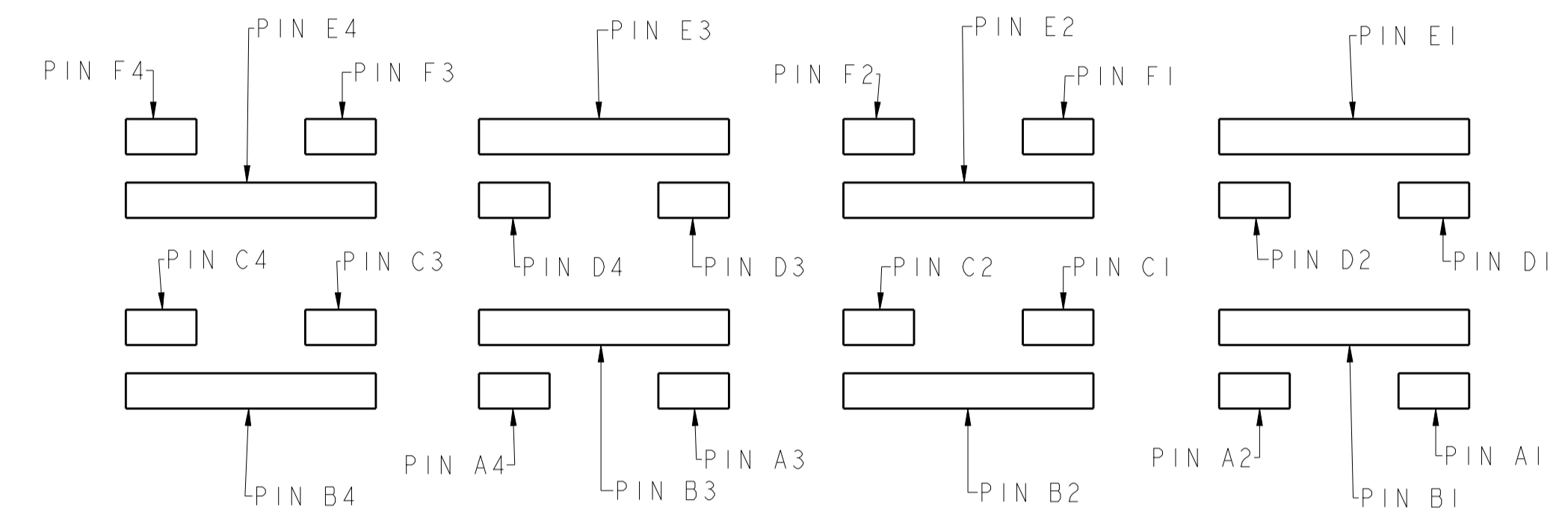
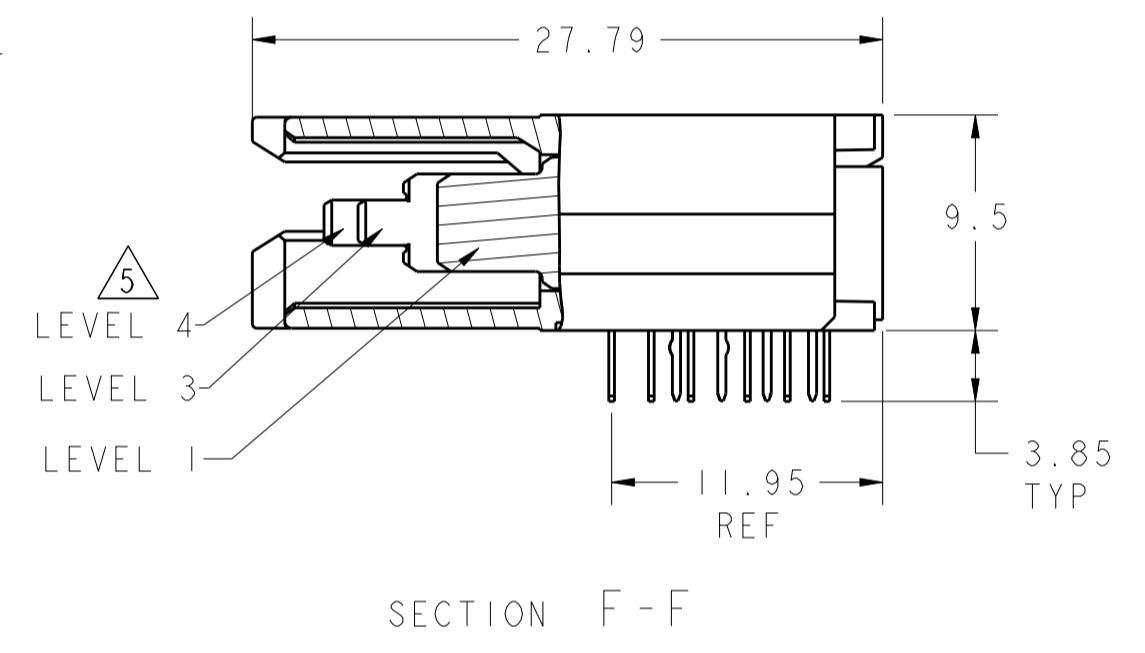
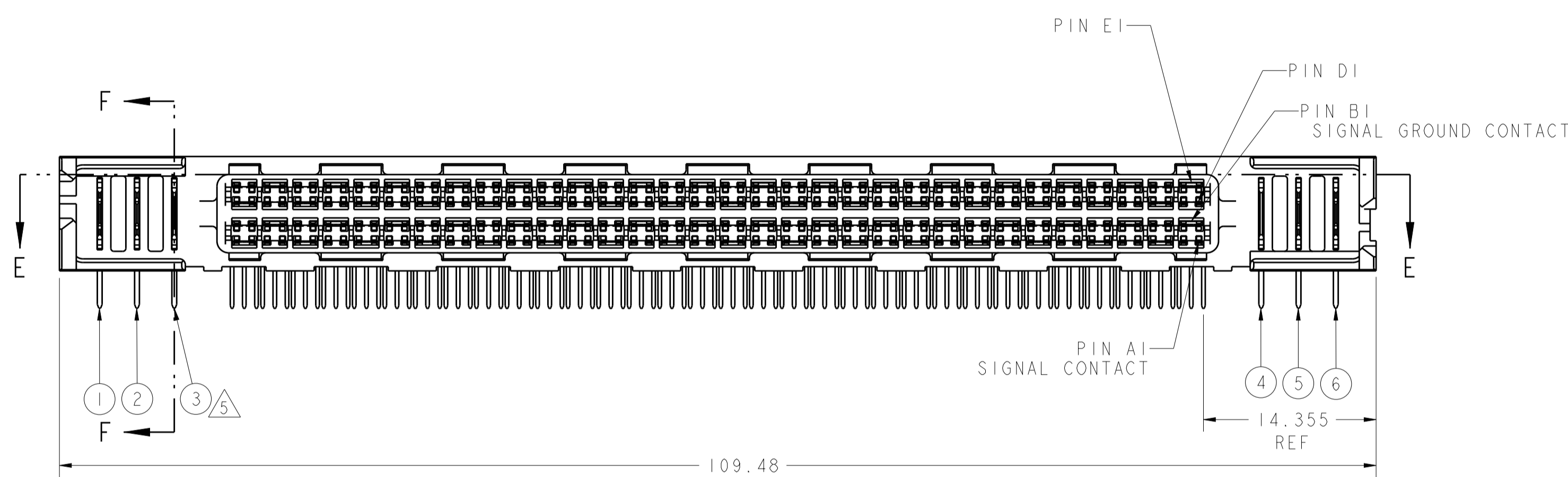
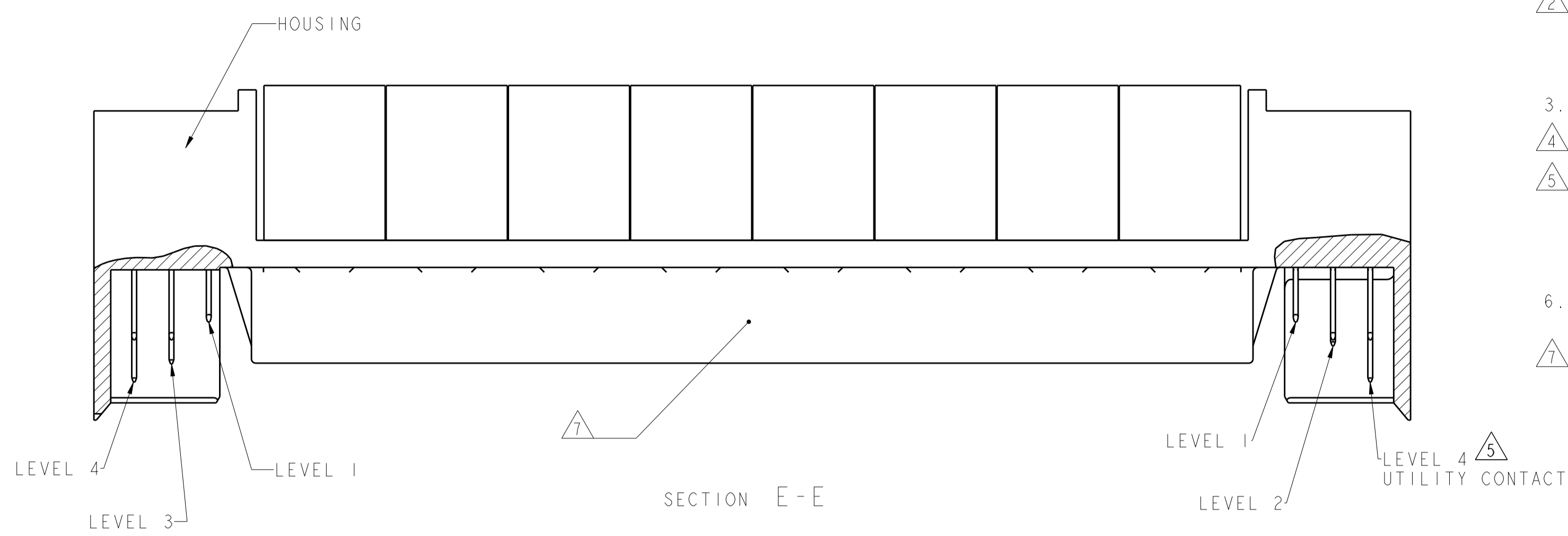


REVISIONS					
P	LTN	DESCRIPTION	DATE	DMN	APVD
B		REVISED PER ECO-10-012356	13DEC2010	CJV	EJB
C		ECO-15-006497	13APR2016	LL	SH
D		ECO-16-005926	19APR2016	LL	SH

- △ HOUSINGS; POLYESTER, UL 94V-0 RATED, NATURAL SIGNAL AND SIGNAL GROUND CONTACTS: COPPER ALLOY UTILITY CONTACTS: PHOSPHOR BRONZE
- △ UTILITY CONTACTS: 0.76µm MIN GOLD IN CONTACT AREA, 2.54µm MIN TIN-LEAD ON PCB TAILS, OVER 1.27µm MIN NICKEL OVER ALL. SIGNAL AND SIGNAL GROUND CONTACTS: 0.76µm MIN GOLD IN CONTACT AREA, 2.54µm MIN TIN-LEAD ON PCB TAILS, OVER 1.27µm MIN NICKEL OVER ALL.
- 3. ROWS A, C, D, AND F ARE SIGNAL CONTACTS. ROWS B AND E ARE SIGNAL GROUND CONTACTS.
- △ DIMENSIONS PER CUSTOMER BOARD LAYOUT.
- △ SEE UTILITY CONTACT SEQUENCE TABLE FOR LOCATION AND LEVEL/LENGTH OF UTILITY CONTACTS FOR EACH PRODUCT PART NUMBER. UTILITY LEVEL 1 CAN BE USED FOR SENSING. UTILITY LEVELS 2, 3, AND 4 CAN BE USED FOR POWER, GROUND, OR ESD. SEQUENCING SHOWN IN SECTION E-E SHOWS THREE LEVELS FOR COMPARISON. UTILITY LEVEL 2 EQUALS THE SIGNAL GROUND CONTACT LEVEL. SIGNAL LEVEL IS BETWEEN UTILITY LEVELS 1 AND 2.
- 6. BLOCK DIAGRAM AND CONTACT IDENTIFICATION APPLY TO COPLANAR NON-INVERTED APPLICATION ONLY. CONTACT IDENTIFICATION REVERSES FOR INVERTED APPLICATIONS, I.E COPLANAR OR MID-BOARD INVERTED.
- △ COMPANY LOGO IN APPROXIMATE AREA SHOWN.



△ UTILITY CONTACT SEQUENCE TABLE						
UTILITY CONTACT LEVEL 1, 2, 3, OR 4						
4	3	1	1	3	4	6367558-3
4	3	3	3	3	4	6367558-2
4	3	2	2	3	4	6367558-1
①	②	③	④	⑤	⑥	PART NUMBER

RECOMMENDED PC BOARD FOOTPRINT
COMPONENT SIDE SHOWN
SCALE 5:1

THIS DRAWING IS A CONTROLLED DOCUMENT.		DMN C. VALENTINE 13DEC2010	TE Connectivity
DIMENSIONS: mm		CHK P. RECCE 13DEC2010	
TOLERANCES UNLESS OTHERWISE SPECIFIED:		APVD P. RECCE 13DEC2010	NAME Z-DOK+ ADAPTER BOARD CONNECTOR ASSEMBLY, 64 SIGNAL DIFF. PAIR, 3 UTILITY CONTACTS PER SIDE PRODUCT SPEC 108-1985 APPLICATION SPEC 114-13068 WEIGHT SIZE CAGE CODE DRAWING NO. A100779 RESTRICTED TO
0 PLC ±0.3		PRODUCT SPEC	
2 PLC ±0.25		APPLICATION SPEC	
4 PLC ±0.25		APPLICATION SPEC	
MATERIAL		FINISH	SCALE 3:1 SHEET 1 OF 1 REV D
CUSTOMER DRAWING		SCALE 3:1 SHEET 1 OF 1 REV D	