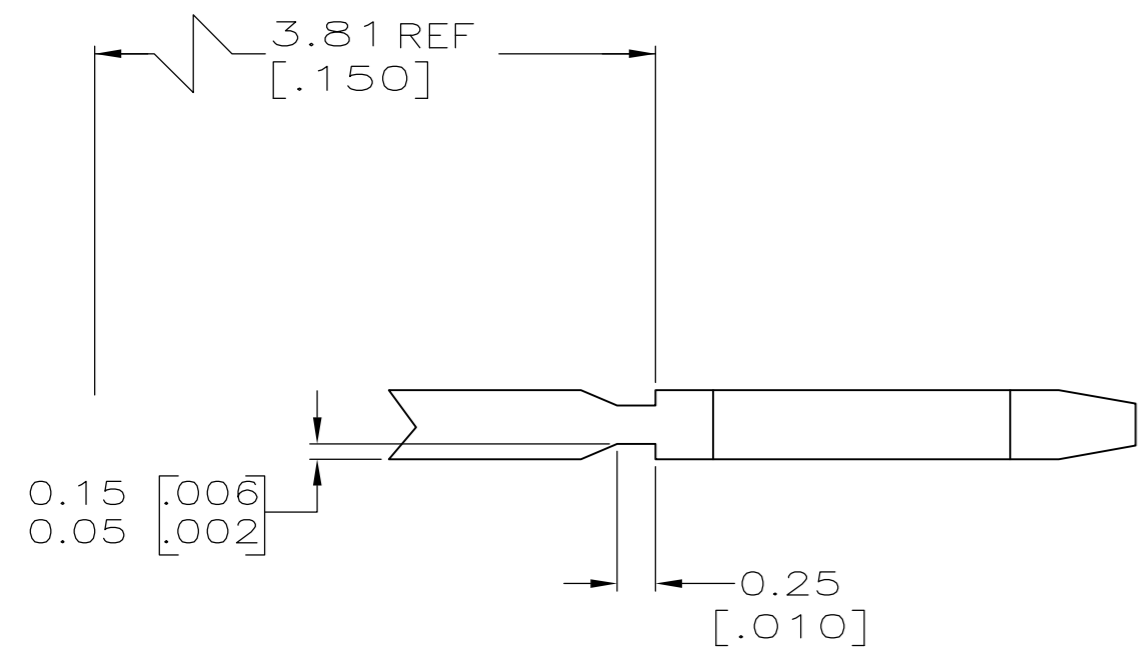
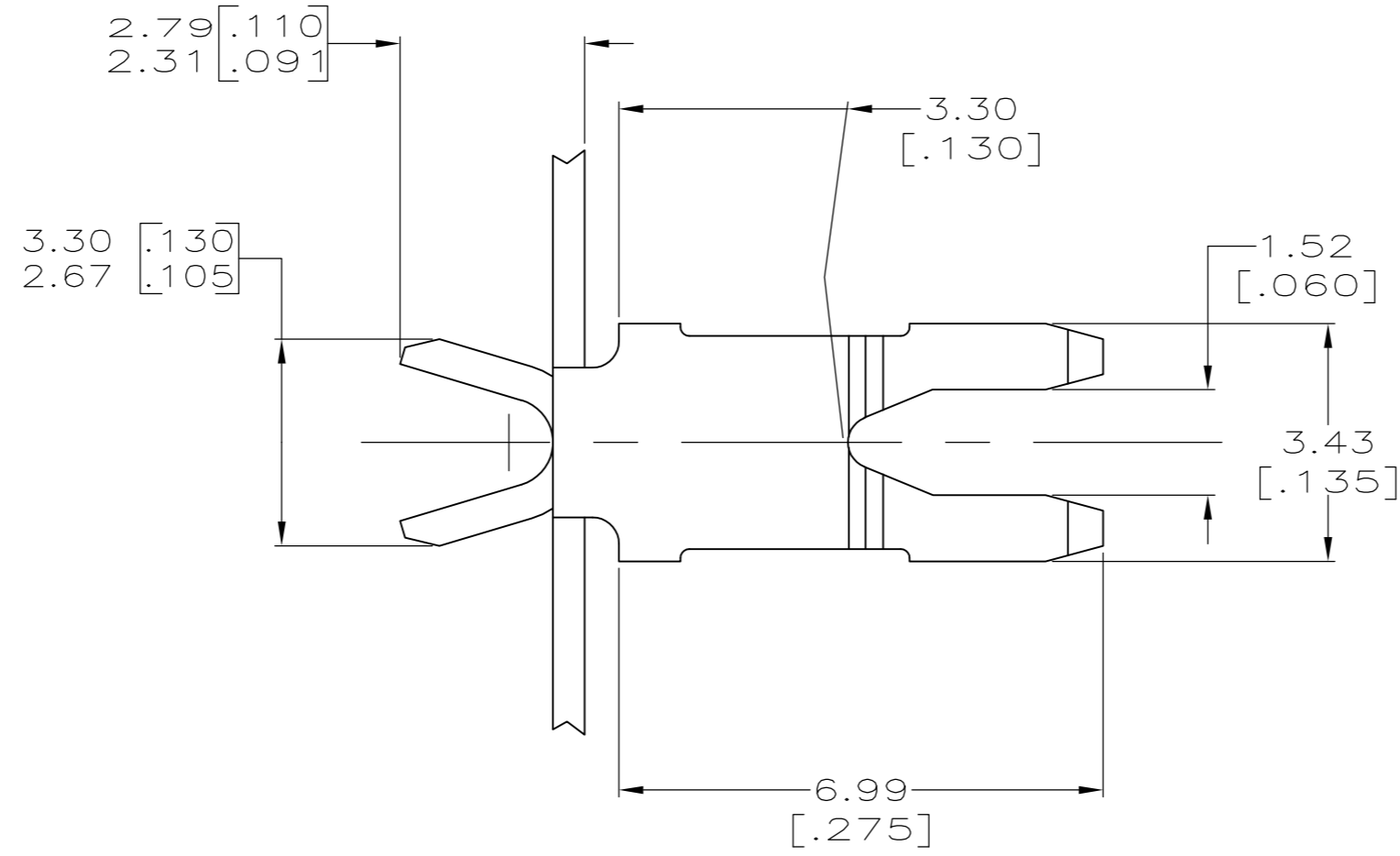


THIS DRAWING IS UNPUBLISHED. RELEASED FOR PUBLICATION
 © COPYRIGHT - By - ALL RIGHTS RESERVED.

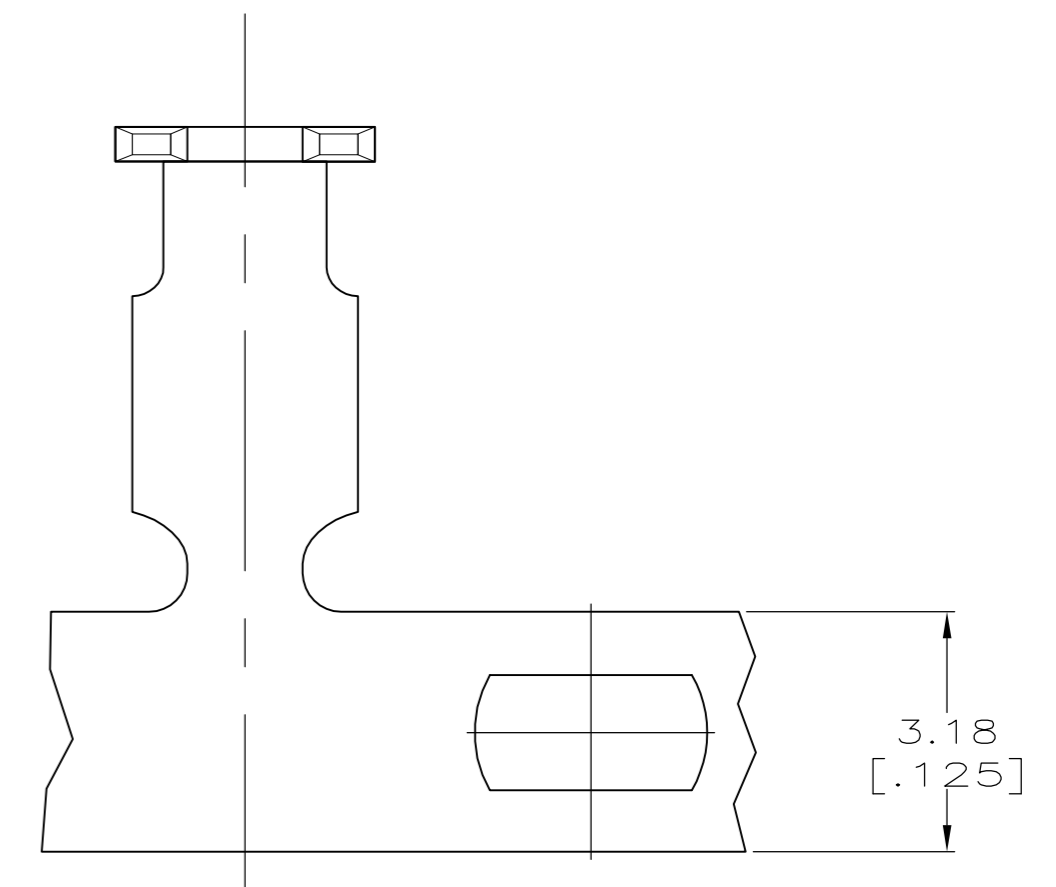
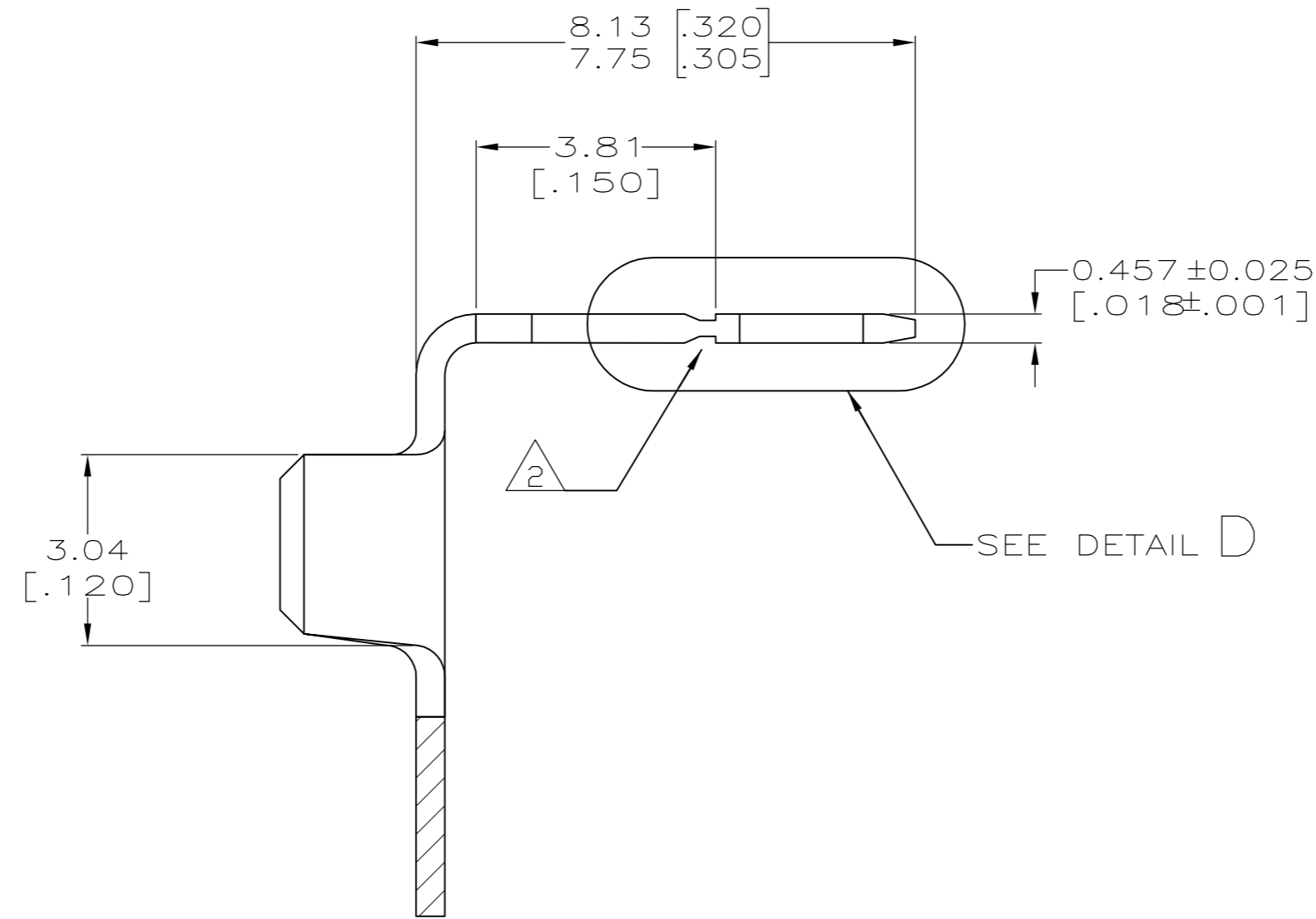
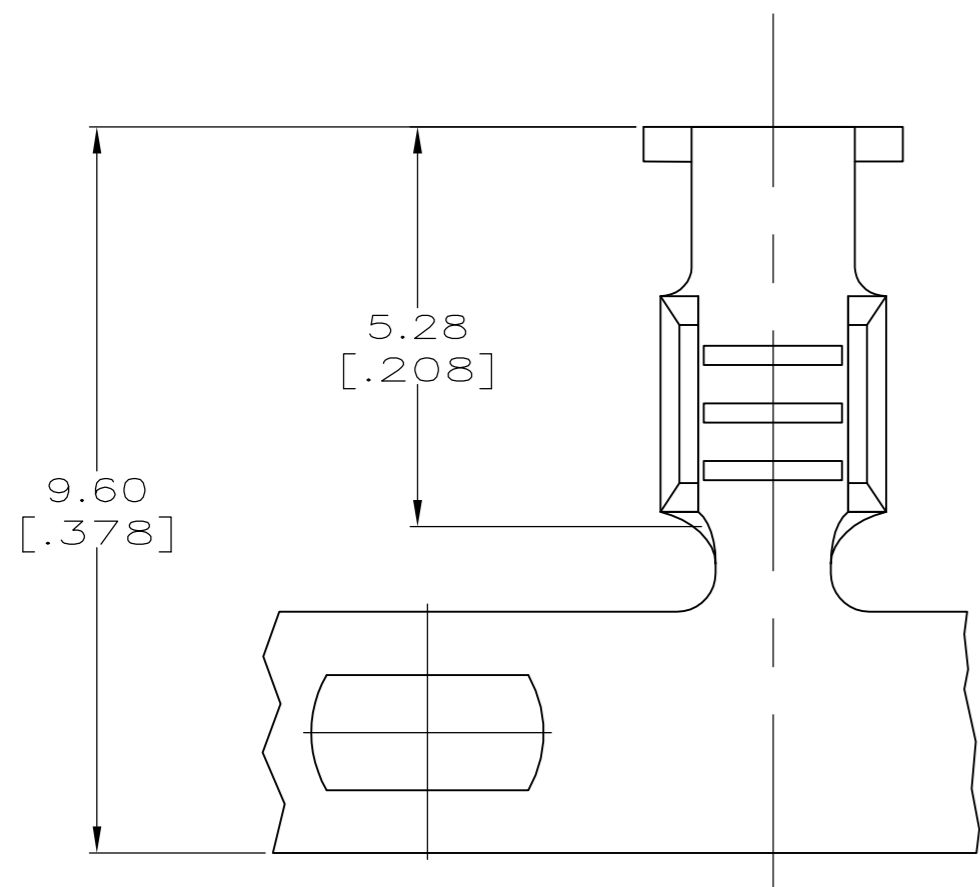
LOC	DIST	REVISIONS			
P	LTR	DESCRIPTION	DATE	DWN	APVD
AF	50	G1	ECR-13-017177	05NOV13	PKSRRP



DETAIL D
SCALE 20:1



- 1 CONTINUOUS STRIP ON REELS WITH TERMINALS LOCATED ON 9.14±0.08 [.360±.003] CENTERS.
- 2 FOR OPTIMUM RETENTION FORCE IN POKE-IN TYPE MAG-MATE TERMINALS, ONE OF THE SERRATIONS AS SHOWN MUST BE ENGAGED WITH THE EDGE OF THE LEAF.



0.3-0.8mm ² [#22-18 AWG]	63364-1
WIRE RANGE	PART NUMBER

THIS DRAWING IS A CONTROLLED DOCUMENT.		DWN	03AUG98	TE Connectivity	
DIMENSIONS: mm		CHK	14SEP98	TE Connectivity	
TOLERANCES UNLESS OTHERWISE SPECIFIED:		APVD	14SEP98	TAB, POKE-IN, MAG-MATE™	
0 PLC ± -	1 PLC ± -	PRODUCT SPEC	108-22045	SIZE	RESTRICTED TO
2 PLC ± 0.25 [.010]	3 PLC ± -	APPLICATION SPEC	114-2050	CAGE CODE	00779
4 PLC ± -	ANGLES ± -	FINISH	PRE-TIN PLATED	DRAWING NO	63364
MATERIAL	BRASS	WEIGHT	-	SCALE	10:1
CUSTOMER DRAWING		SHEET		1 OF 1	REV G1