

4

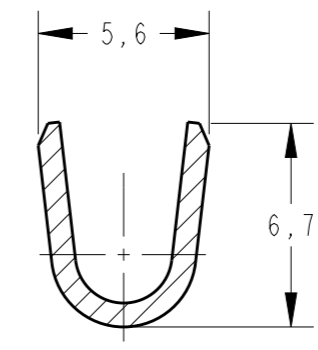
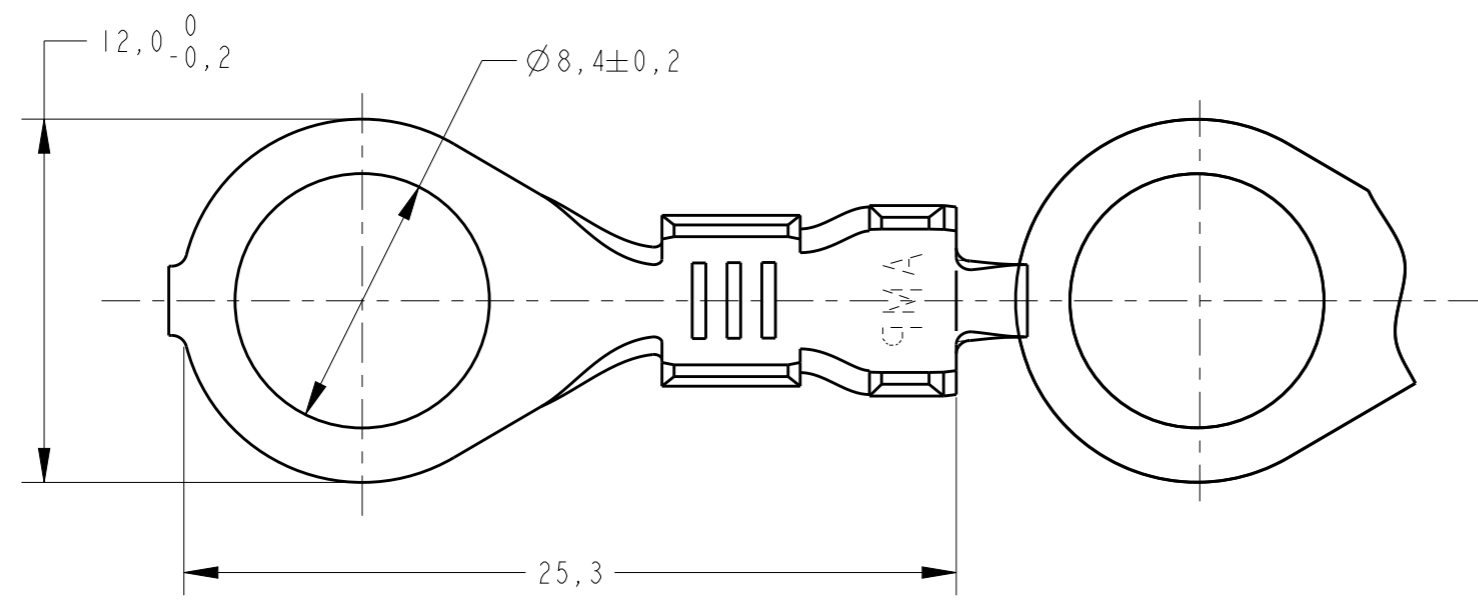
3

2

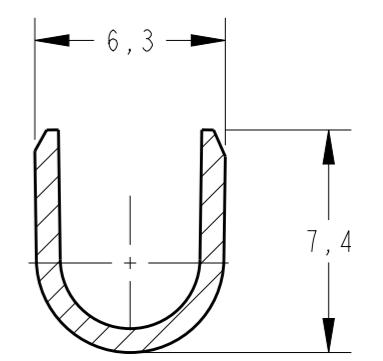
1

THIS DRAWING IS UNPUBLISHED. RELEASED FOR PUBLICATION 20
 © COPYRIGHT 20 BY - ALL RIGHTS RESERVED.

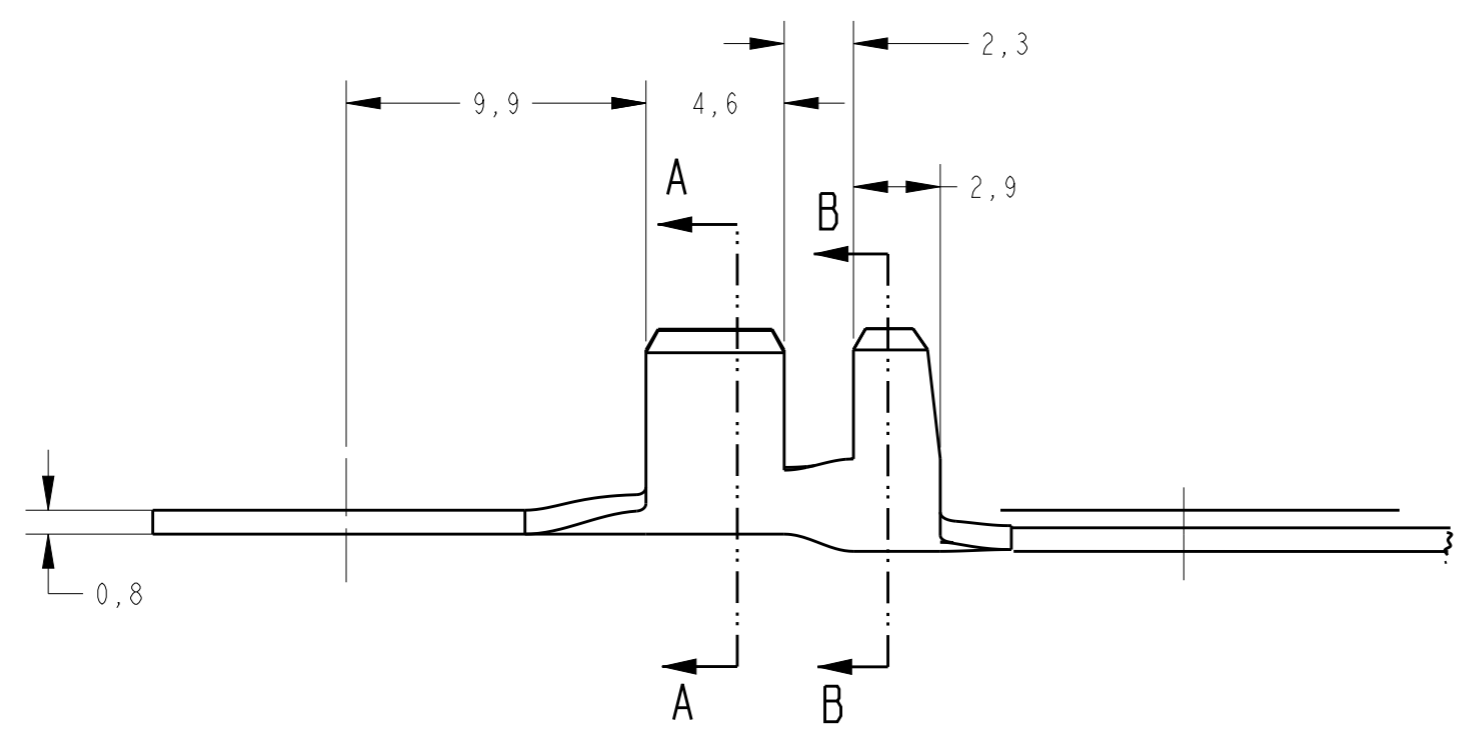
REVISIONS					
P	LTR	DESCRIPTION	DATE	DWN	APVD
	G3	REDRAWN BY ECO-10-009304	17MAY2010	FC	JRG
	G4	REVISED BY ECO 16-005813	18JULY2016	HC	WLS



SECTION A-A



SECTION B-B



OBSOLETE	--- / ---	BRONZE FOSF. / PHOSP. BRONZE	626038-3
	PRE ESTANHADO/PRE TIN PLATED	LATÃO / BRASS	626038-2
OBSOLETE	--- / ---	LATÃO / BRASS	626038-1
	FINISH	MATERIAL	PART NO

VIRE RANGE (mm ²) 4 - 6	
INSUL / RANGE (Ømm) 3,2 - 5,3	
SURF AREA	--- / ---
APPL. FEED	TRIMMING BURR
---	---
WDW 14,22	IDW 16,26
REELING 107--	
SPLICE 115--	

THIS DRAWING IS A CONTROLLED DOCUMENT.	
DIMENSIONS:	TOLERANCES UNLESS OTHERWISE SPECIFIED:
mm	
	0 PLC ±-
	1 PLC ±0,3
	2 PLC ±-
	3 PLC ±-
	4 PLC ±-
	ANGLES ±1°
MATERIAL	FINISH
SEE TABLE	SEE TABLE

DWN	08JUN1999
A. PERUSSI	
CHK	17JUN1999
P.L.FARIA	
APVD	17JUN1999
F. GROLIA	
PRODUCT SPEC	-
APPLICATION SPEC	-
WEIGHT	-
CUSTOMER DRAWING	

		TE Connectivity	
		NAME	
RING TONGUE		-	
SIZE	CAGE CODE	DRAWING NO	RESTRICTED TO
A3	00779	626038	-
SCALE		SHEET	REV
4:1		1 OF 1	G4