

THIS DRAWING IS UNPUBLISHED.

RELEASED FOR PUBLICATION

ALL RIGHTS RESERVED.

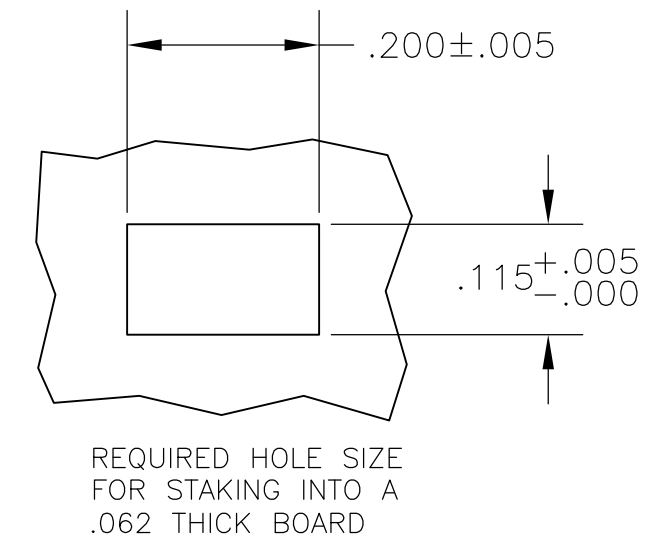
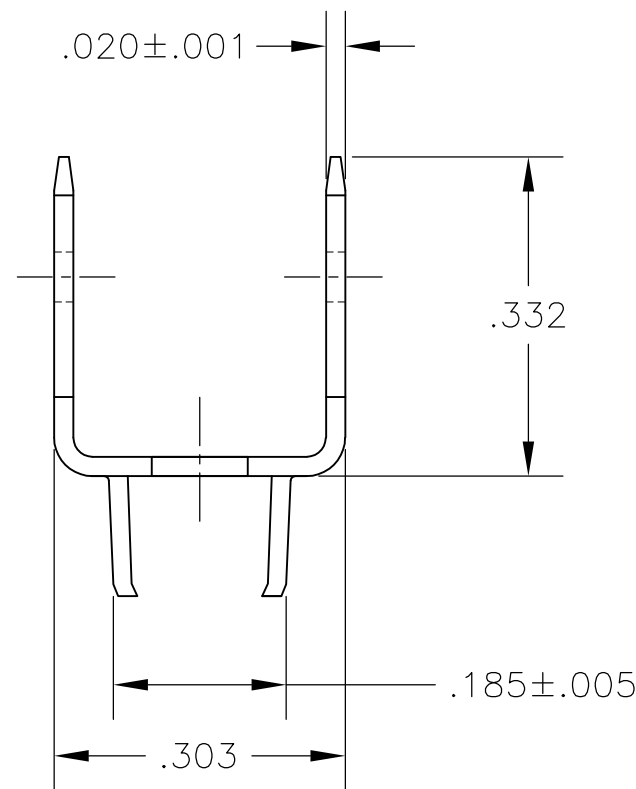
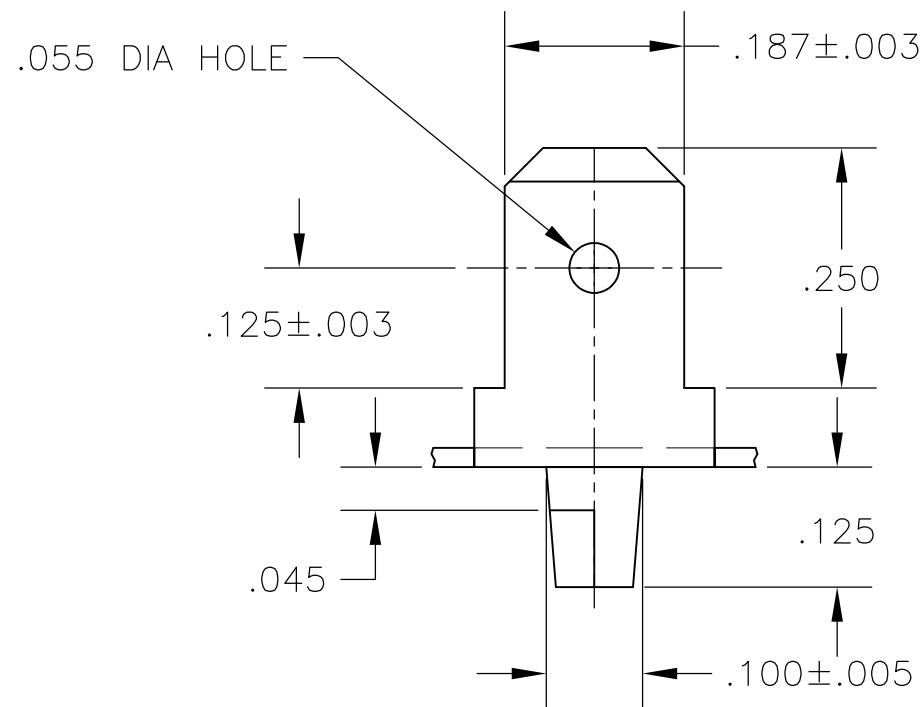
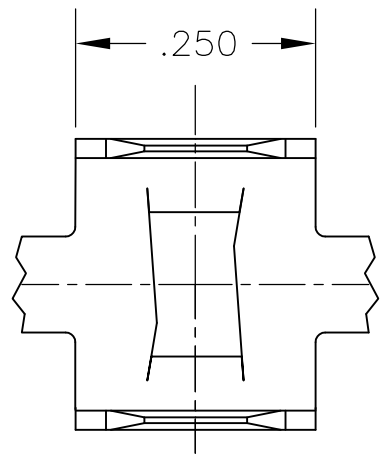
© COPYRIGHT - By -

LOC AF DIST 50

REVISIONS

P	LTR	DESCRIPTION	DATE	DWN	APVD
	S	REVISED PER ECR-13-001204	03JUN13	KH	PD

- 1 CONTINUOUS STRIP ON REELS
- 2 .000150 MIN TIN PLATE OVER .000100 MIN COPPER.



62221-1

PART NO.

THIS DRAWING IS A CONTROLLED DOCUMENT.		DWN JR RUTH 14MAR01	STE TE Connectivity		
DIMENSIONS: INCHES		CHK MS FEHER 14MAR01			
TOLERANCES UNLESS OTHERWISE SPECIFIED:		APVD N DEIBERT 14MAR01	NAME		
0 PLC ± -		PRODUCT SPEC	TAB, FASTON, DUAL, STAKE, .187 SERIES		
1 PLC ± -		APPLICATION SPEC	SIZE	CAGE CODE	DRAWING NO
2 PLC ± -		WEIGHT	A3	00779	C-62221
3 PLC ± .015		CUSTOMER DRAWING	SCALE	SHEET	REV
4 PLC ± -			5:1	1 OF 1	S
ANGLES ± -					
FINISH					
MATERIAL BRASS					
FINISH 2					