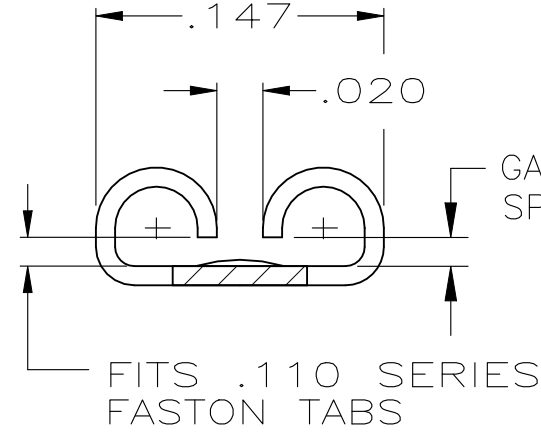
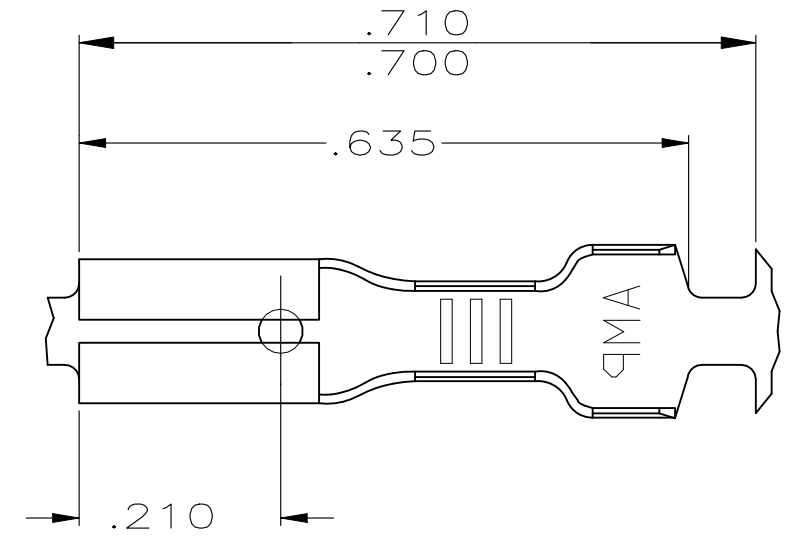
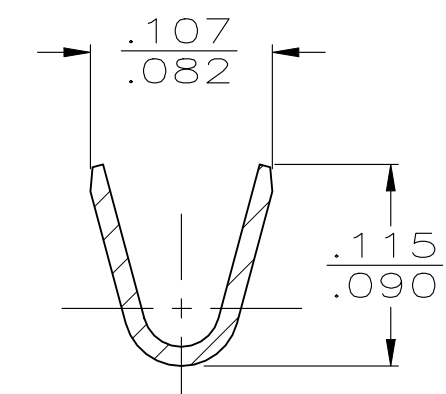
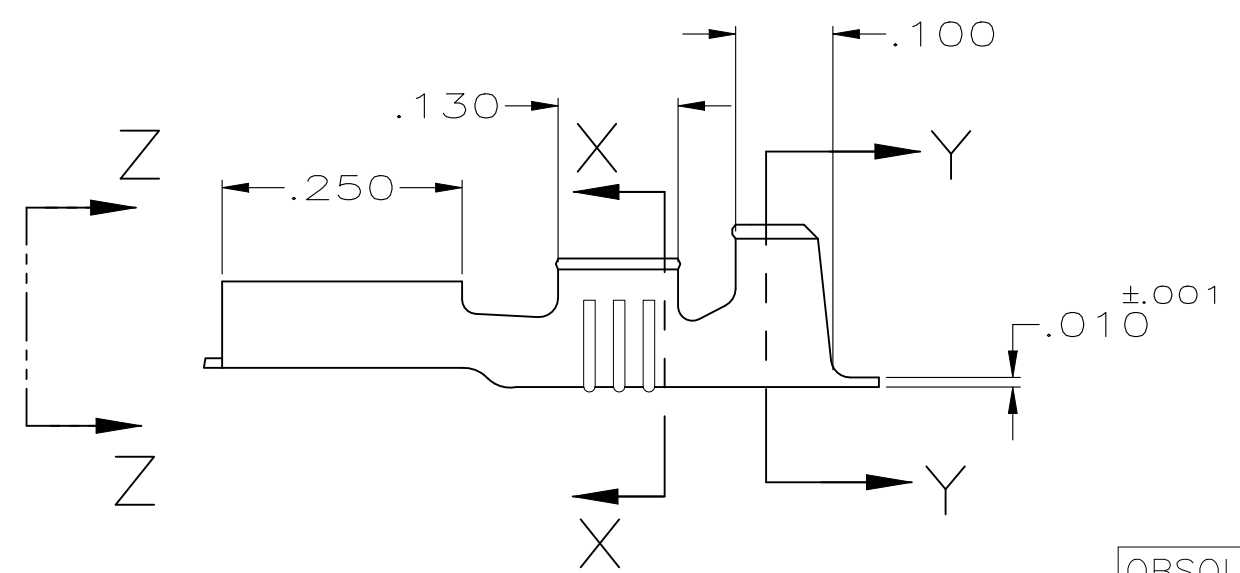


REVISIONS					
P	LTR	DESCRIPTION	DATE	DWN	APVD
	W	REVISED PER ECR-23-171359	16MAY2023	DB	DH

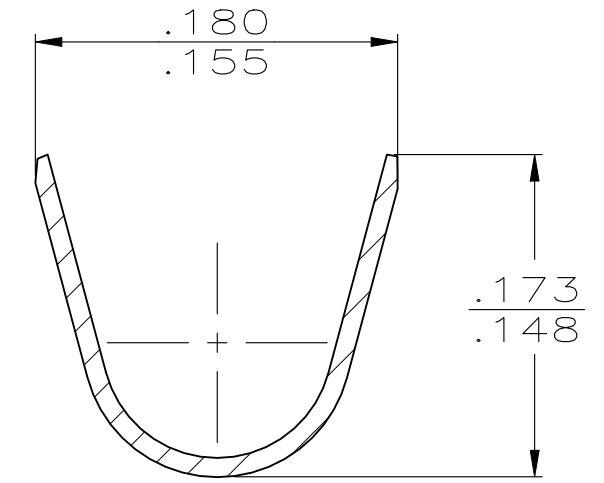


VIEW Z-Z
SCALE 10:1

- 1 CONTINUOUS STRIP ON REELS
- 2 POST-PLATE WHISKER-MITIGATED LEAD-FREE, MATTE TIN OVER NICKEL
- 3 POST-PLATE LEAD-FREE, MATTE TIN



SECTION X-X
SCALE 10:1



SECTION Y-Y
SCALE 10:1

OBSOLETE	.090-.130	22-18 AWG	.021-.019	3	62094-4
				2	62094-3
				-	62094-2
				PRE-TIN	62094-1
INSUL RANGE	WIRE SIZE	MATING TAB THK	FINISH	PART NO.	

THIS DRAWING IS A CONTROLLED DOCUMENT.		DWN JR RUTH 12/20/90	STE TE Connectivity		
DIMENSIONS: INCHES		CHK MS FEHER 12/20/90			
TOLERANCES UNLESS OTHERWISE SPECIFIED:		APVD C MEYERS 12/21/90	NAME RECEPTACLE, FASTON, .110 SERIES		
0 PLC ± -		PRODUCT SPEC	SIZE		
1 PLC ± -		-	CAGE CODE		
2 PLC ± -		APPLICATION SPEC	DRAWING NO		
3 PLC ± .015		-	RESTRICTED TO		
4 PLC ± -		-	A300779 C-62094		
ANGLES ± -		WEIGHT 0.000000	SCALE 5:1		
MATERIAL BRASS		FINISH SEE TABLE	SHEET 1 OF 1		
		CUSTOMER DRAWING	REV W		