

THIS DRAWING IS UNPUBLISHED.

RELEASED FOR PUBLICATION

© COPYRIGHT - By -

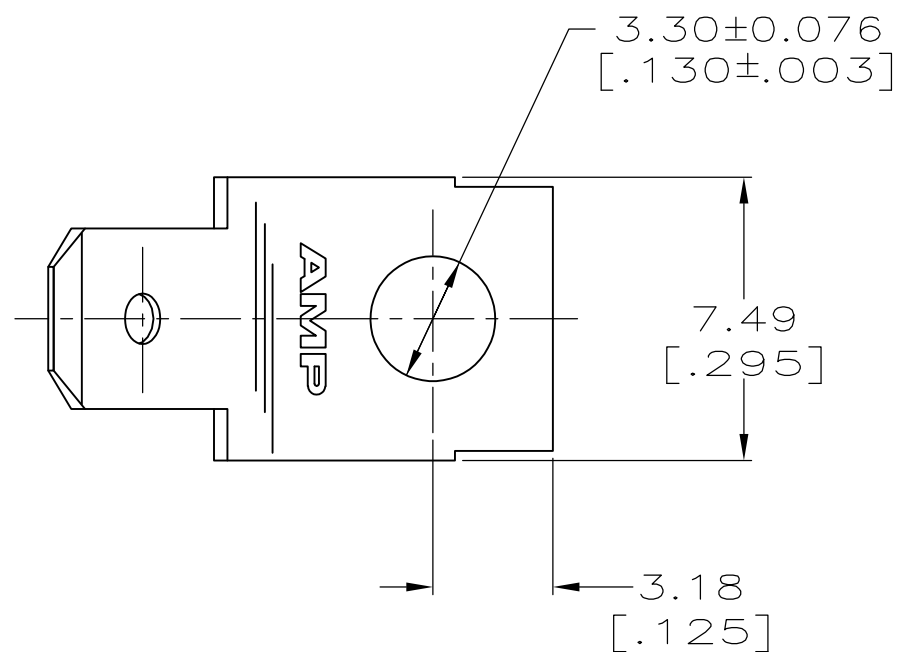
ALL RIGHTS RESERVED.

LOC
AF

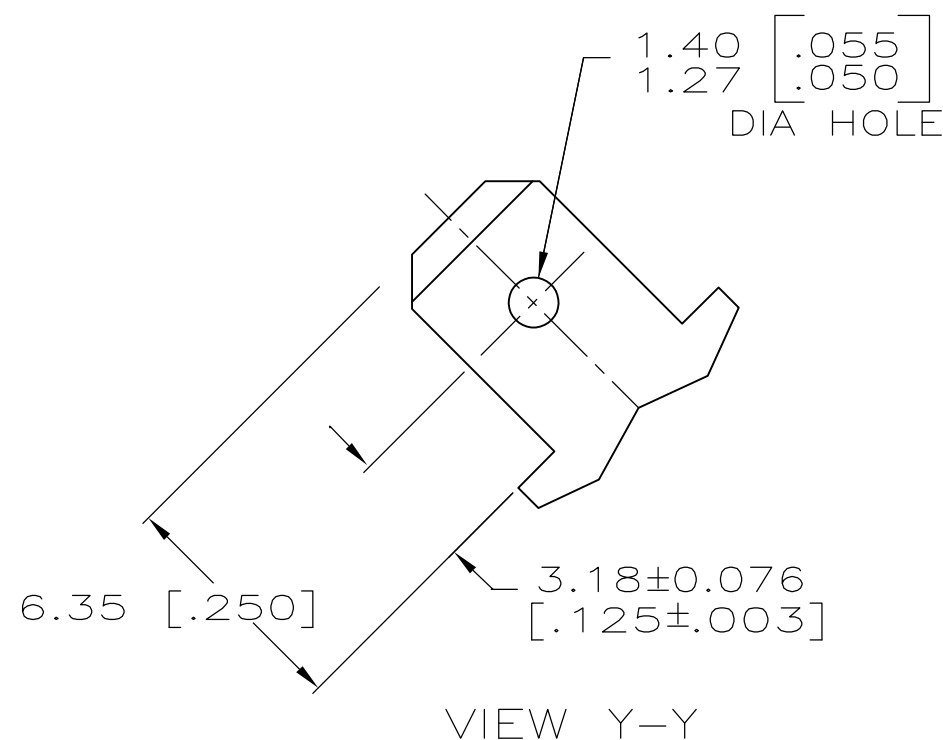
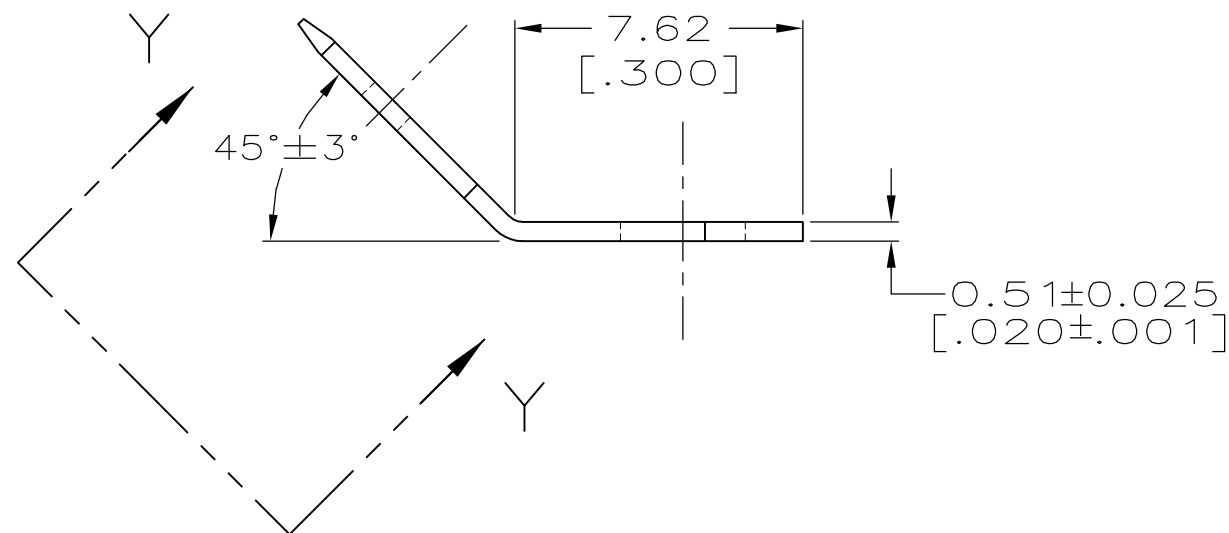
DIST
50

REVISIONS


P	LTR	DESCRIPTION	DATE	DWN	APVD
	H	REVISED PER ECR-13-011489	05DEC2013	KH	PD



- 1 SUPPLIED IN LOOSE PIECE.
- 2 TIN PLATE.
- 3 PRELIMINARY - NOT FOR PRODUCTION.



-	3	61761-3
2		61761-2
FINISH		PART NO.

THIS DRAWING IS A CONTROLLED DOCUMENT.		DWN	JR RUTH	1/24/97	 TE Connectivity											
DIMENSIONS: mm [INCHES]		CHK	MS FEHER	1/24/97												
TOLERANCES UNLESS OTHERWISE SPECIFIED:		APVD	J HUZVAR	1/24/97												
<table border="0"> <tr><td>0 PLC</td><td>± -</td></tr> <tr><td>1 PLC</td><td>± -</td></tr> <tr><td>2 PLC</td><td>± 0.38 [.015]</td></tr> <tr><td>3 PLC</td><td>± -</td></tr> <tr><td>4 PLC</td><td>± -</td></tr> <tr><td>ANGLES</td><td>± -</td></tr> </table>		0 PLC	± -	1 PLC		± -	2 PLC	± 0.38 [.015]	3 PLC	± -	4 PLC	± -	ANGLES	± -	PRODUCT SPEC	-
0 PLC	± -															
1 PLC	± -															
2 PLC	± 0.38 [.015]															
3 PLC	± -															
4 PLC	± -															
ANGLES	± -															
MATERIAL	BRASS	FINISH	SEE TABLE	APPLICATION SPEC	-											
		WEIGHT	-	SIZE	A3											
		CUSTOMER DRAWING		CAGE CODE	00779											
				DRAWING NO	C-61761											
				RESTRICTED TO	-											
				SCALE	5:1											
				SHEET	1 OF 1											
				REV	H											