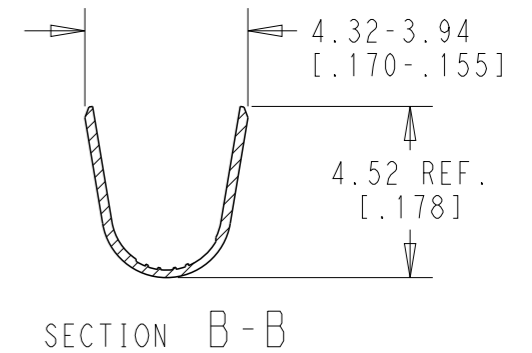
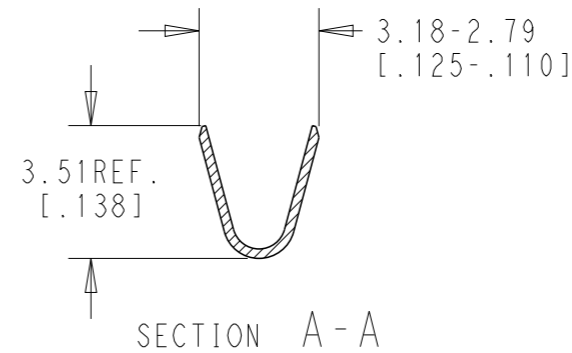
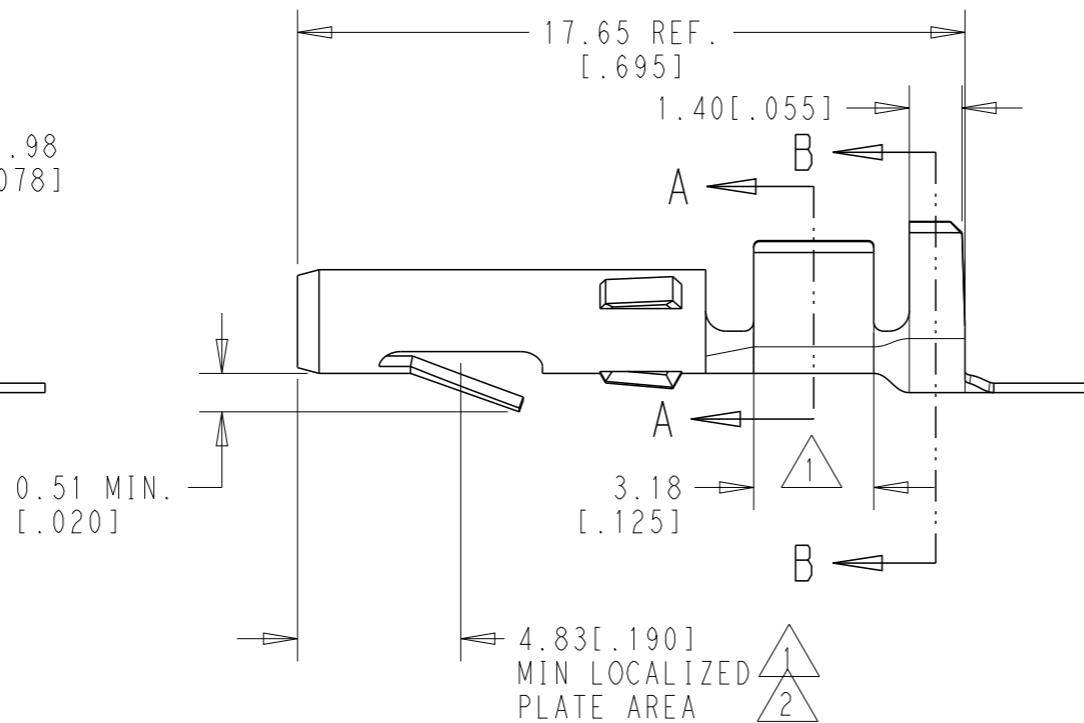
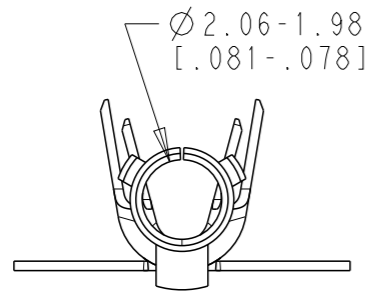
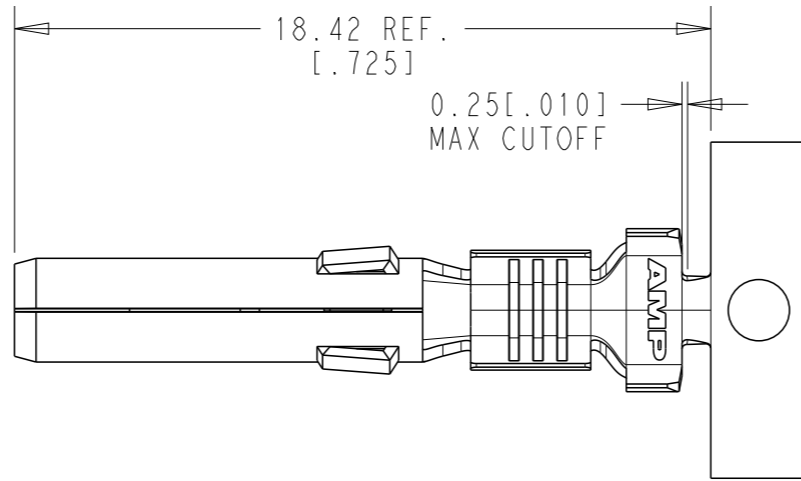
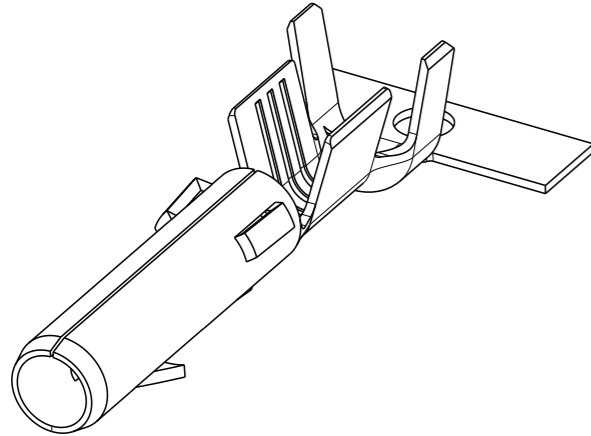


REVISIONS

P	LTR	DESCRIPTION	DATE	DWN	APVD
	AC2	REVISED PER ECO-12-013810	25SEP2012	JR	TM
	AC3	REVISED PER ECN-23-233438	02OCT2023	WLS	VS



NOTES:

- 1 0.00076[.000030] THK GOLD IN LOCALIZED PLATING AREA AND IN WIRE BARREL; REMAINDER OF CONTACT IS NICKEL PLATED.
- 2 0.00076[.000030] THK GOLD IN LOCALIZED PLATING AREA; REMINDER OF CONTACT IS NICKEL PLATED.
- 3. WIRE RANGE: 0.5 - 2mm² [20 - 14 AWG].
- 4. INSULATION RANGE: 3.30[.130] MAX DIA.
- 5. DIMENSIONS IN BRACKETS ARE IN INCHES.

LOOSE PIECE (REF)	APPLICATOR TYPE	FINISH	MATERIAL	PART NO
-	MINI	2 GOLD	0.30[.012] BRASS	61117-7
60619-7	MINI	GOLD 1	0.30[.012] PH BZ	61117-6
60619-5	MINI	1 GOLD	0.30[.012] BRASS	61117-5
-	MINI	TIN	0.30[.012] PH BZ	61117-4
-	MINI	-	0.30[.012] BRASS	61117-2
60619-1	MINI	TIN	0.30[.012] BRASS	61117-1

THIS DRAWING IS A CONTROLLED DOCUMENT.		DWN K. WHITAKER 01MAR2005			
DIMENSIONS: mm [INCHES]		CHK C. COLEY 01MAR2005			
TOLERANCES UNLESS OTHERWISE SPECIFIED:		APVD D. COLEY 01MAR2005		NAME SOCKET COMMERCIAL MATE-N-LOK	
0 PLC ±-		PRODUCT SPEC 108-1000		SIZE A3	
1 PLC ±-		APPLICATION SPEC 114-1012		CAGE CODE 00779	
2 PLC ±0.25[.010]		WEIGHT -		DRAWING NO C-61117	
3 PLC ±-		CUSTOMER DRAWING		RESTRICTED TO -	
4 PLC ±-		SCALE 5:1		SHEET 1 OF 1	
ANGLES ±1°		REV AC3			
FINISH -					
MATERIAL -					