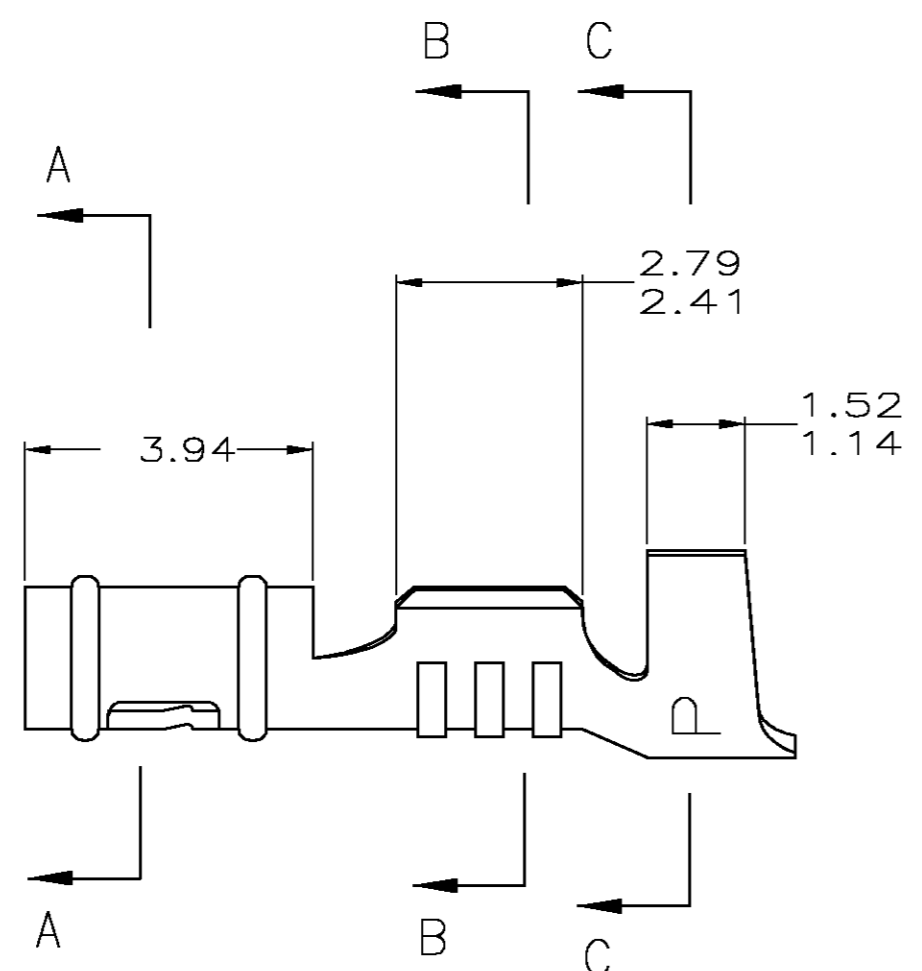
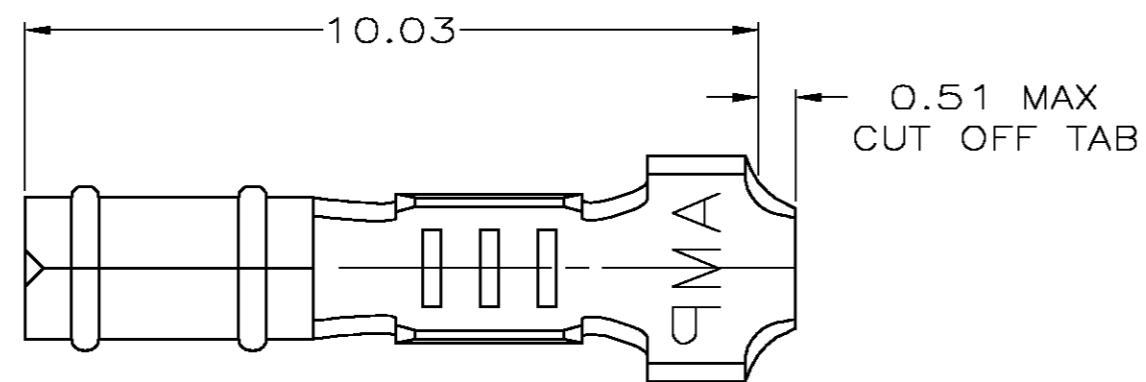


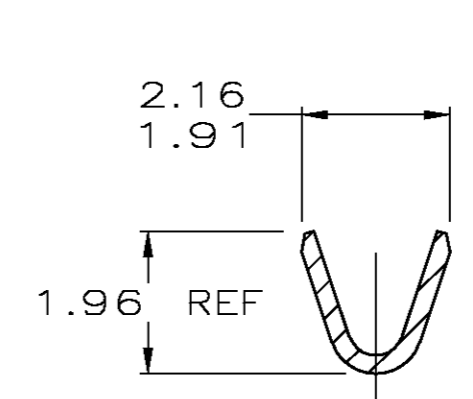
THIS DRAWING IS UNPUBLISHED. RELEASED FOR PUBLICATION
 © COPYRIGHT BY TYCO ELECTRONICS CORPORATION. ALL RIGHTS RESERVED.

LOC	DIST	REVISIONS			
P	LTR	DESCRIPTION	DATE	DWN	APVD
CM	00	R1	REVISED PER 0G3B-0209-04	04-MAR-04	KW JE

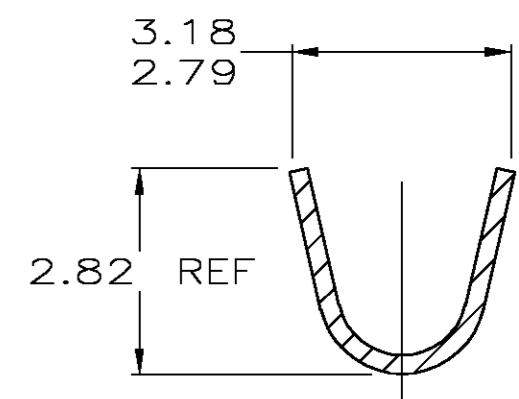
1. WIRE RANGE: 0.2 - 0.6 MM² (24 - 20 AWG)
2. INSULATION RANGE: 1.52 - 2.29



SECTION A-A



SECTION B-B

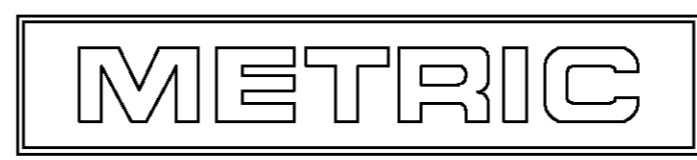


SECTION C-C

PRE-TIN	0.25 PH BRZ	60986-1
FINISH	MATERIAL	PART NUMBER

MM	IN	MM	IN	MM	IN	MM	IN
1.359	.0535	1.96	.077	2.82	.111	-	-
1.14	.045	1.91	.075	2.79	.110	-	-
0.51	.020	1.52	.060	2.41	.095	10.03	.395
0.25	.010	1.486	.0585	2.29	.090	3.94	.155
0.13	.005	1.47	.058	2.16	.085	3.18	.125
MM	IN	MM	IN	MM	IN	MM	IN

CONVERSION TABLE



THIS DRAWING IS A CONTROLLED DOCUMENT.

DWN K. WHITAKER 04-MAR-04	Tyco Electronics Corporation Harrisburg, Pa 17105-3608						
CHK J. ELLIS 04-MAR-04							
APVD J. ELLIS 04-MAR-04							
NAME							
DIMENSIONS: INCHES	TOLERANCES UNLESS OTHERWISE SPECIFIED:	PRODUCT SPEC 108-1025	APPLICATION SPEC 114-1008	SIZE A2	CAGE CODE 00779	DRAWING NO C=60986	RESTRICTED TO
MATERIAL SEE TABLE	FINISH SEE TABLE	WEIGHT -	CUSTOMER DRAWING	SCALE 10:1	SHEET 1 OF 1	REV R1	