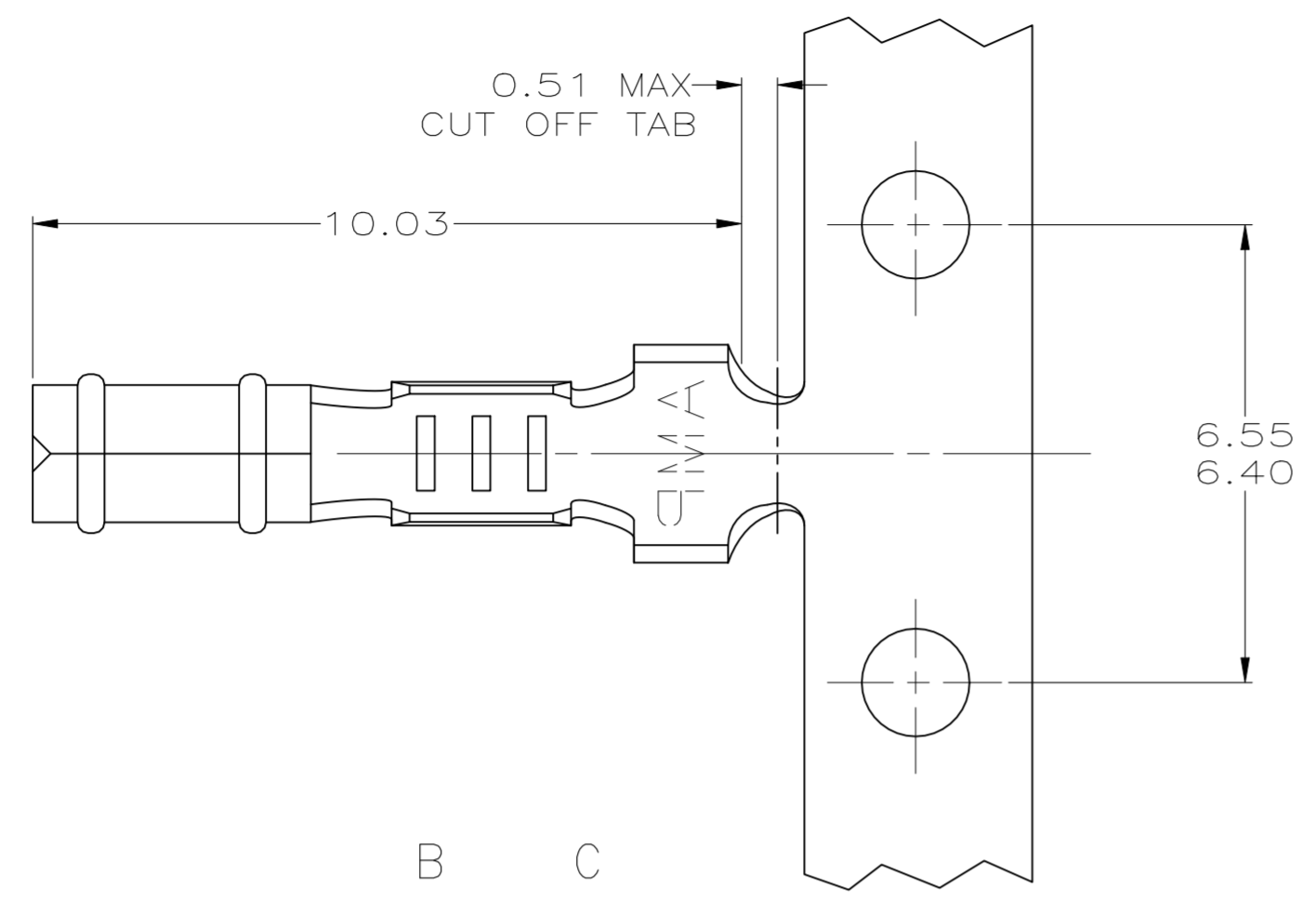


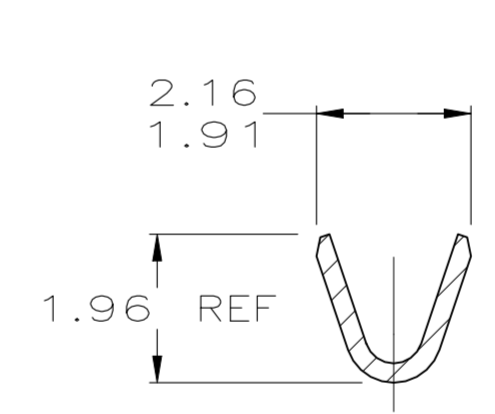
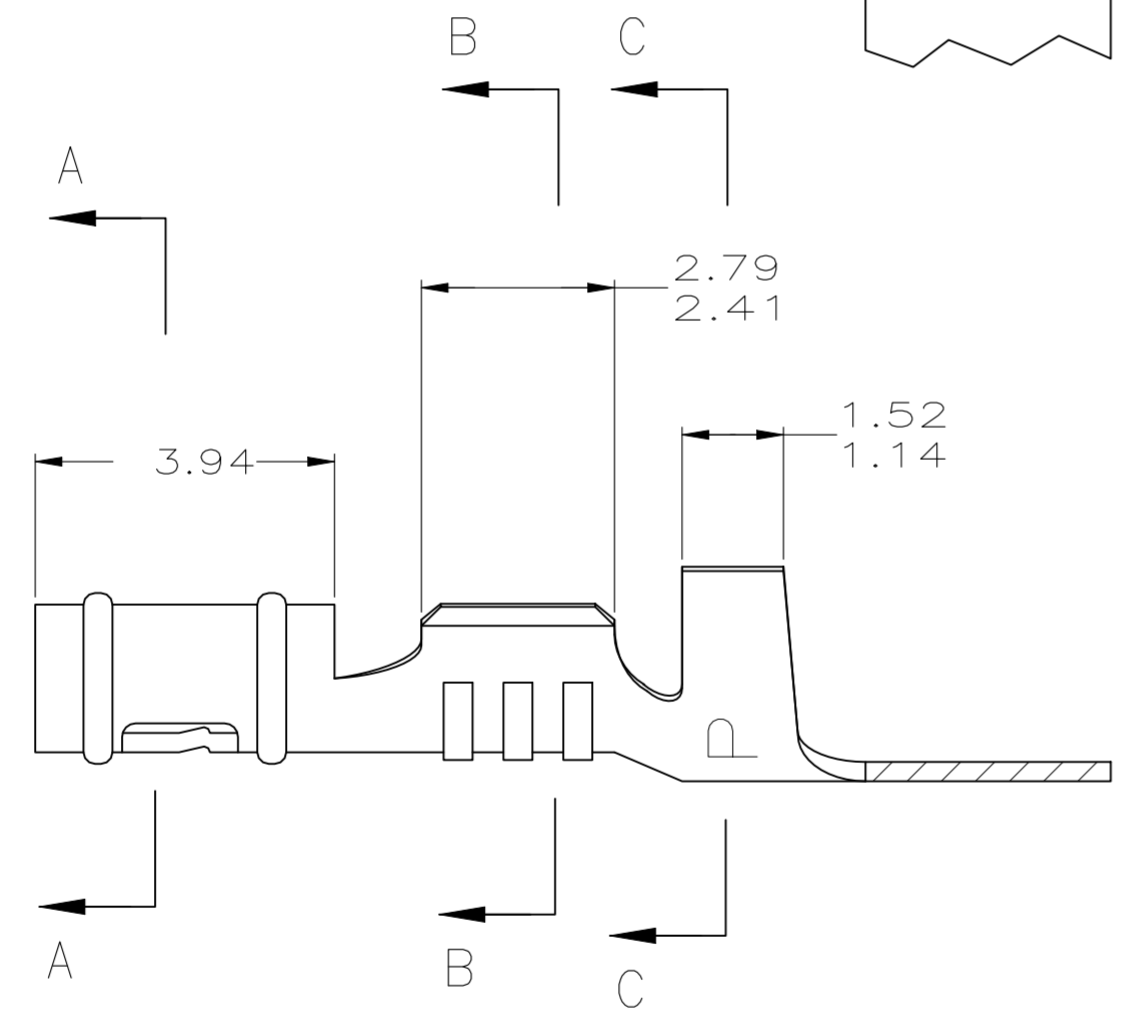
Loc		DIST		REVISIONS			
CM	52	P	LTR	DESCRIPTION	DATE	DWN	APVD
				F1 REVISED PER ECR-23-180920	21-03-24	SK	JP



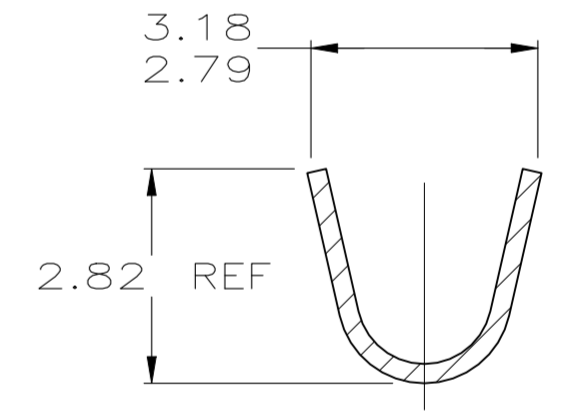
1. WIRE RANGE: 0.2 - 0.6 MM² (24 - 20 AWG)
 2. INSULATION RANGE: 1.52 - 2.29
- △ 0.00203 MIN MATTE TIN PLATING OVER ALL.



SECTION A-A



SECTION B-B

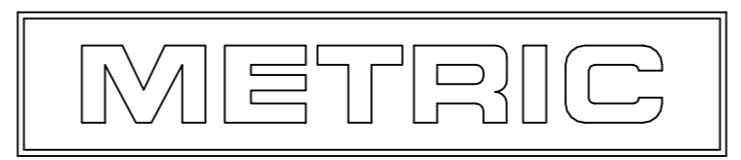


SECTION C-C

SUPERSEDED BY 60940-1	△	0.25 BE CU	-60940-2
		0.25 PH BRZ	60940-1
		FINISH MATERIAL	PART NUMBER

1.359	.0535	2.16	.085	3.94	.155	-	-
1.14	.045	1.96	.077	3.18	.125	-	-
0.51	.020	1.91	.075	2.82	.111	-	-
0.25	.010	1.52	.060	2.79	.110	10.03	.395
0.13	.005	1.486	.0585	2.41	.095	6.55	.258
0.00203	.000080	1.47	.058	2.29	.090	6.40	.252
MM	IN	MM	IN	MM	IN	MM	IN

CONVERSION TABLE



THIS DRAWING IS A CONTROLLED DOCUMENT.

DWN T. BECK 5-19-97	AMP Incorporated Harrisburg, PA 17105-3608						
CHK R. SWING 5-19-97							
APVD A. BEDDICK 8-08-97							
NAME RECEPTACLE, .058 DIAMETER, 24-20 AWG, .060-.090 INSULATION, P.C. CONTACT							
MATERIAL SEE TABLE	FINISH SEE TABLE	PRODUCT SPEC 108-1025	APPLICATION SPEC 114-1008	SIZE A2	CAGE CODE 00779	DRAWING NO C-60940	RESTRICTED TO -
CUSTOMER DRAWING			SCALE 10:1	SHEET 1 OF 1	REV F1		