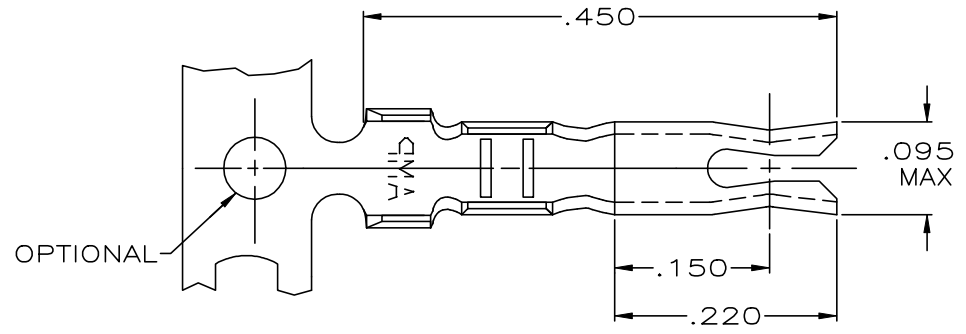


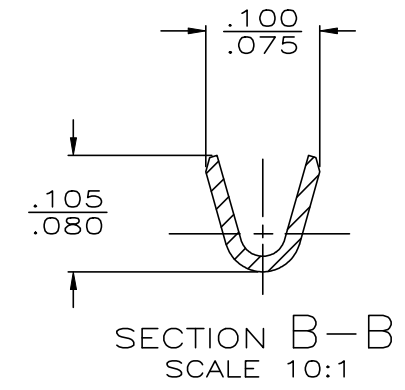
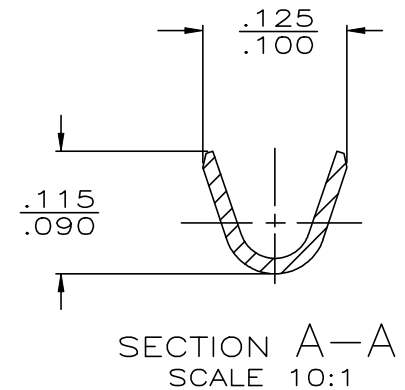
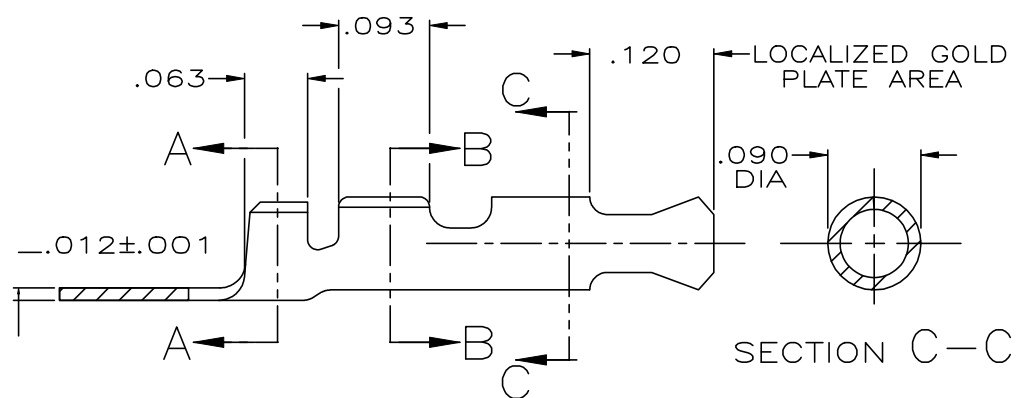
DRAWING MADE IN THIRD ANGLE PROJECTION

THIS DRAWING IS UNPUBLISHED. RELEASED FOR PUBLICATION .19
 © COPYRIGHT 19 BY AMP INCORPORATED. ALL INTERNATIONAL RIGHTS RESERVED.

LOC		DIST		REVISIONS				
AF	50	P	F	ZONE	LTR	DESCRIPTION	DATE	APPD
						E1 REVISED PER ECR-19-017644	11DEC2019	PC/MK



- 1 CONTINUOUS STRIP ON REELS.
- 2 .000030 MIN GOLD PER MIL-G-45204 IN LOCALIZED GOLD PL AREA, GOLD FLASH ON REMAINDER OVER .000050 MIN NICKEL PER QQ-N-290.
- 3 .000080 MIN TIN PL PER MIL-T-10727.



OBSOLETE	3	.048-.071	24-20 AWG	60885-2
	2	DIA		60885-1
FINISH		INSULATION RANGE	WIRE RANGE	PART NO
DO NOT SCALE PRINT. UNLESS SPECIFIED DIMENSIONS IN INCHES TOLERANCES ON: 2 PLC DEC ± - 3 PLC DEC ± .015 ANGLES ± -	DR	2/4/91 P FORTNEY	TE Connectivity	
	CHK	2/4/91 JR RUTH		
	APPD	2/4/91 G YETTER	NAME RECEPTACLE, PIN, .055 DIA	
	APPD	2/4/91 R WEAVILL		
MATERIAL		PRODUCT SPEC	SIZE	CAGE CODE
#4 HARD PHOS BRONZE			B	00779
FINISH		APPLICATION SPEC	SCALE	DRAWING NO
SEE TABLE			8:1	60885
		WEIGHT		SHEET
				1 OF 1