

THIS DRAWING IS UNPUBLISHED.

RELEASED FOR PUBLICATION

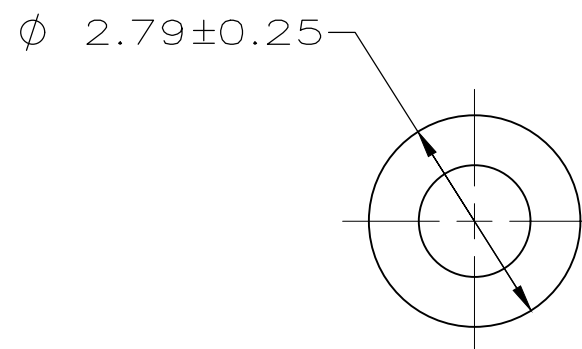
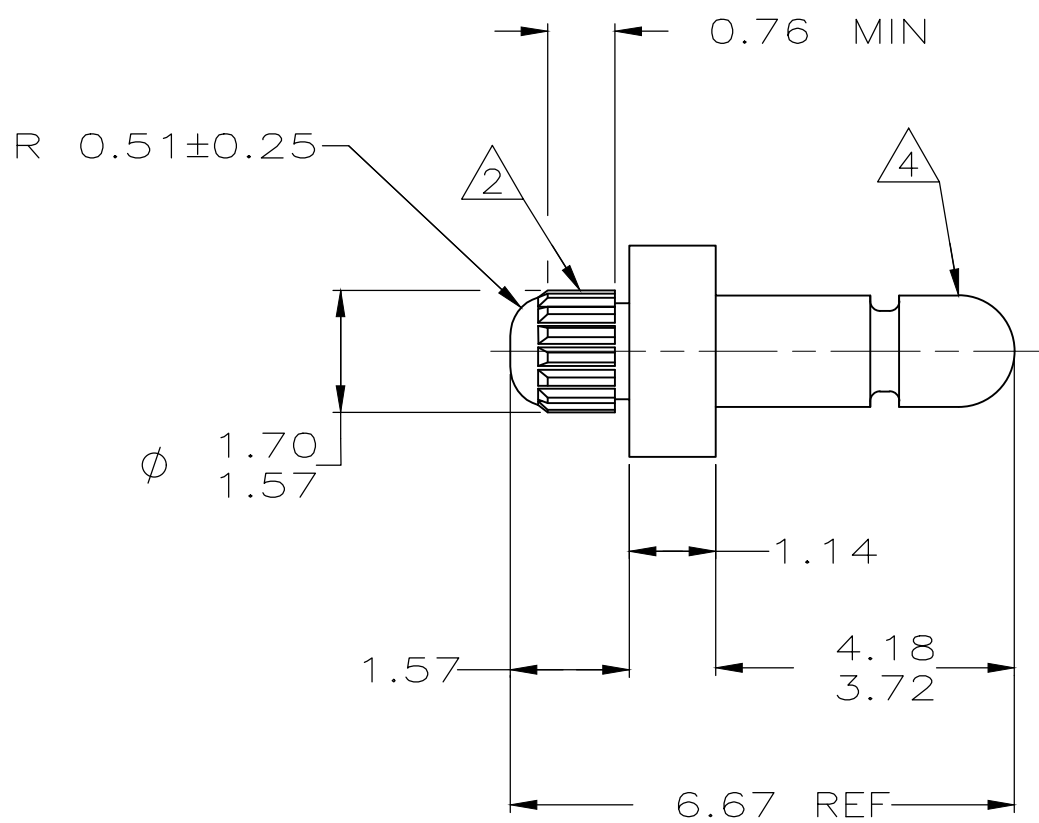
ALL RIGHTS RESERVED.

© COPYRIGHT - TE Connectivity

REVISIONS

P	LTR	DESCRIPTION	DATE	DWN	APVD
	H2	REVISED PER ECR-19-008948	13MAY20	J.P	D.Z

- ① 0.00381 MIN BRIGHT TIN LEAD PLATING ALL OVER.
- ② REED STRAIGHT TOOTH KNURL CS 80-80 T.P.I., 125 TEETH, 70° INCLUDED ANGLE. FITS 1.50 - 1.57 DIAMETER HOLE IN A 0.79 PRINTED CIRCUIT BOARD.
- 3. PARTS TO COMPLY WITH AMP SOLDERABILITY SPECIFICATION 109-11-3.
- ④ MATES WITH AMP PARTS 60354, 60598 OR 60804.
- ⑤ 0.00381 MIN BRIGHT TIN PLATING ALL OVER.



—	—
6.67	.263
4.18	.165
3.72	.146
2.79	.110
1.70	.067
1.57	.062
1.50	.059
1.47	.058
1.14	.045
0.79	.031
0.76	.030
0.51	.020
0.25	.010
0.13	.005
0.00381	0.000150
MM	IN

CONVERSION TABLE

METRIC

SUPERSEDED BY 3-60839-1

⑤	3-60839-1
⑤	60839-1
FINISH	PART NUMBER

THIS DRAWING IS A CONTROLLED DOCUMENT.		DWN T. BECK 8-15-97	STE TE Connectivity		
DIMENSIONS: mm		CHK R. SWING 8-15-97			
TOLERANCES UNLESS OTHERWISE SPECIFIED:		APVD A. BEDDICK 9-10-97	NAME PIN, .058 DIAMETER, BRASS, KNURLED, P.C. CONTACT		
0 PLC ± -		PRODUCT SPEC 108-1025	SIZE A3		
1 PLC ± -		APPLICATION SPEC 114-1008	CAGE CODE 00779	DRAWING NO C-60839	RESTRICTED TO -
2 PLC ± 0.13		WEIGHT 0.000000	SCALE 10:1		
3 PLC ± -		CUSTOMER DRAWING	SHEET 1 OF 1		
4 PLC ± -			REV H2		
ANGLES ± -					
FINISH SEE TABLE					
MATERIAL BRASS					