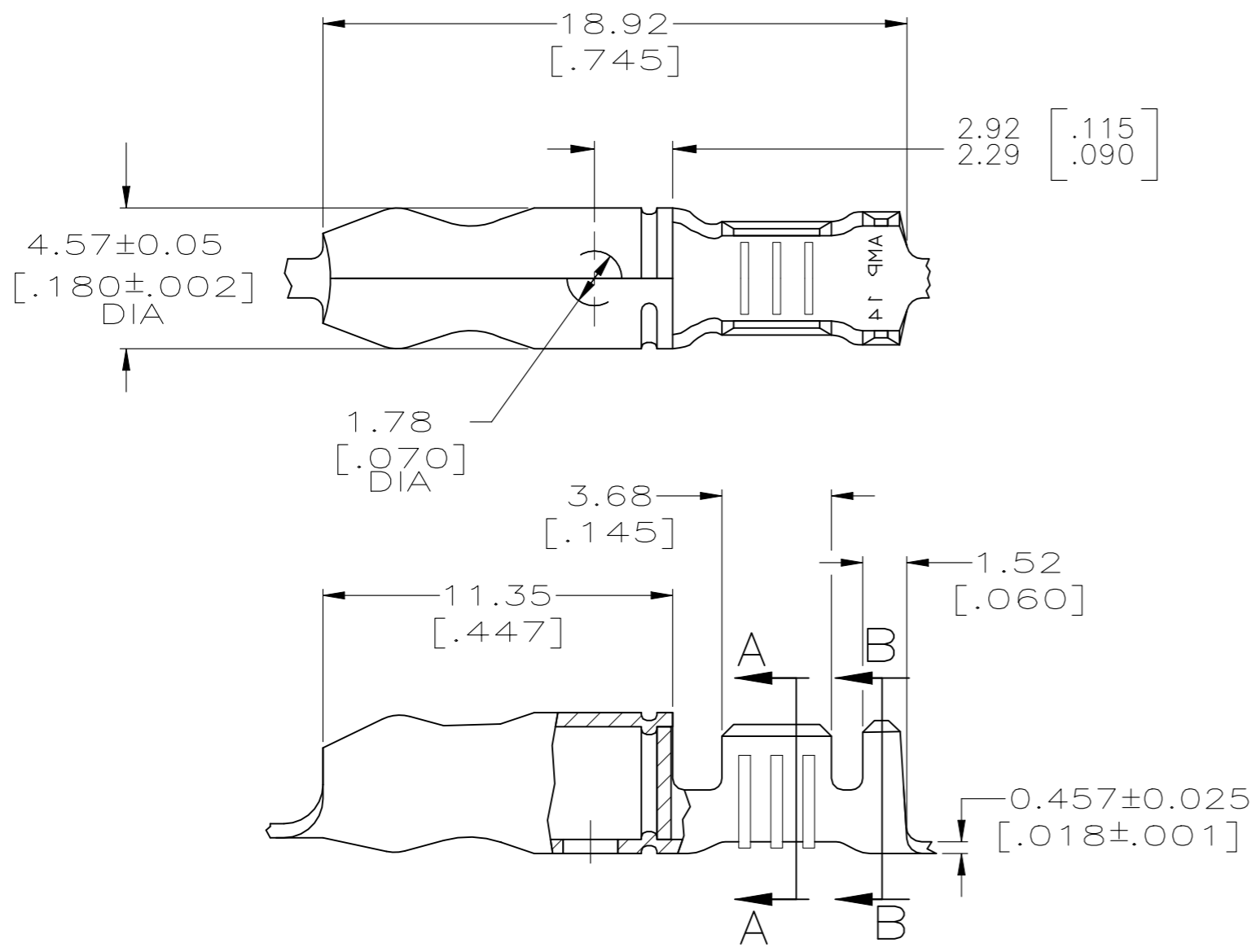
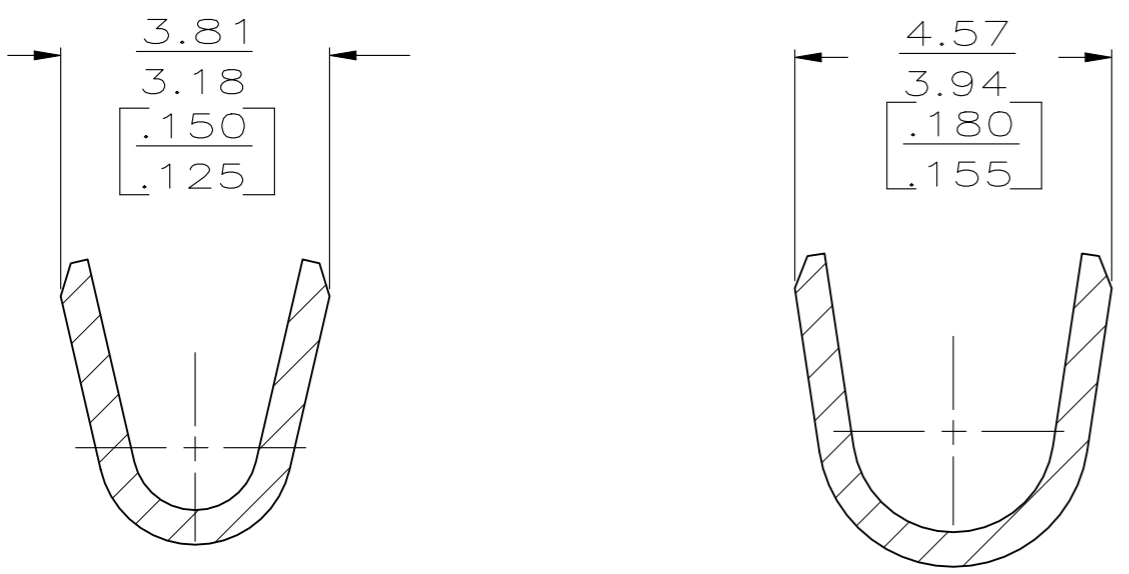


THIS DRAWING IS UNPUBLISHED. RELEASED FOR PUBLICATION
 © COPYRIGHT - By - ALL RIGHTS RESERVED.

REVISIONS				
P	LTR	DESCRIPTION	DATE	APVD
	R5	REVISED PER ECR-24-210890	14AUG2024	DB RE



- 1 CONTINUOUS STRIP ON REEL.
- △2 0.002032 [.000080] MIN TIN PLATE.
- △3 0.002032 [.000080] MIN TIN PLATE OVER 0.00127 [.000050] MIN NICKEL UNDERPLATE.
- △4 WITH INTERLEAVING PAPER
- △5 0.00508 [.000200] MIN SILVER PLATE OVER 0.00127 [.000050] MIN NICKEL PLATE
- △6 0.000762 [.000030] MIN GOLD OVER 0.00127 [.000050] MIN NICKEL UNDERPLATE.
- 7 WIRE SIZE IS [#18-#14] AWG
- 8 INSULATION RANGE IS 2.29-3.18 [.090-.125] DIA
- △9 PRELIMINARY - NOT FOR PRODUCTION



SECTION A-A
SCALE 10:1

SECTION B-B
SCALE 10:1

OBSOLETE	△5	BRASS	60793-7
	△6	BRASS	△9 60793-6
	△2	BERYLLIUM COPPER	△9 60793-5 △4
	△2	BRASS	60793-4
	△3	BRASS	60793-3
	△2	BRASS	60793-1
	FINISH	MATERIAL	PART NUMBER

THIS DRAWING IS A CONTROLLED DOCUMENT.		DWN 11/NOV/96 PHILLIP M FORTNEY	STE TE Connectivity	
		CHK 11/NOV/96 JEFF R RUTH		
DIMENSIONS: mm [INCHES]	TOLERANCES UNLESS OTHERWISE SPECIFIED:	APVD 11/NOV/96 GARY YETTER	NAME	
	0 PLC ± - 1 PLC ± - 2 PLC ± 0.25 [.010] 3 PLC ± - 4 PLC ± - ANGLES ± -	PRODUCT SPEC	SHUR PLUG, 4.57 [.180] DIA	
MATERIAL SEE TABLE	FINISH SEE TABLE	APPLICATION SPEC	SIZE	CAGE CODE
		WEIGHT 0.000000	A3	00779
		CUSTOMER DRAWING	DRAWING NO	RESTRICTED TO
			C-60793	-
		SCALE 5:1	SHEET 1 OF 1	REV R5