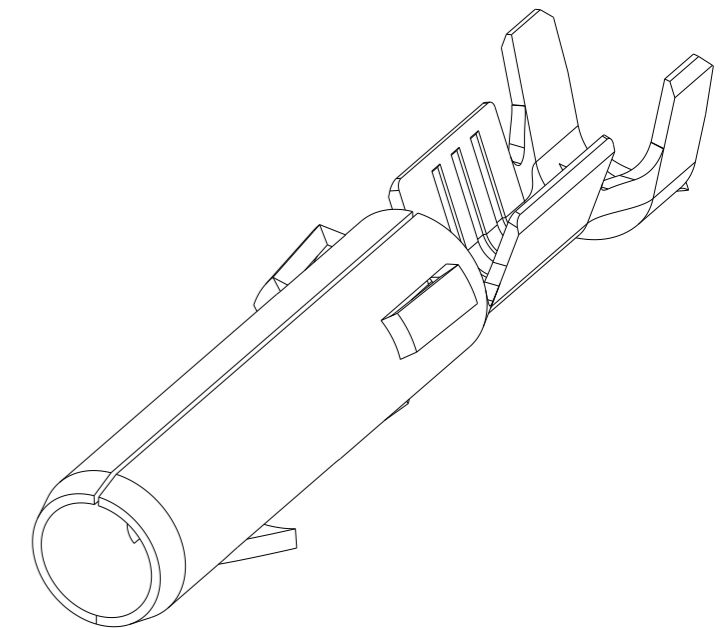
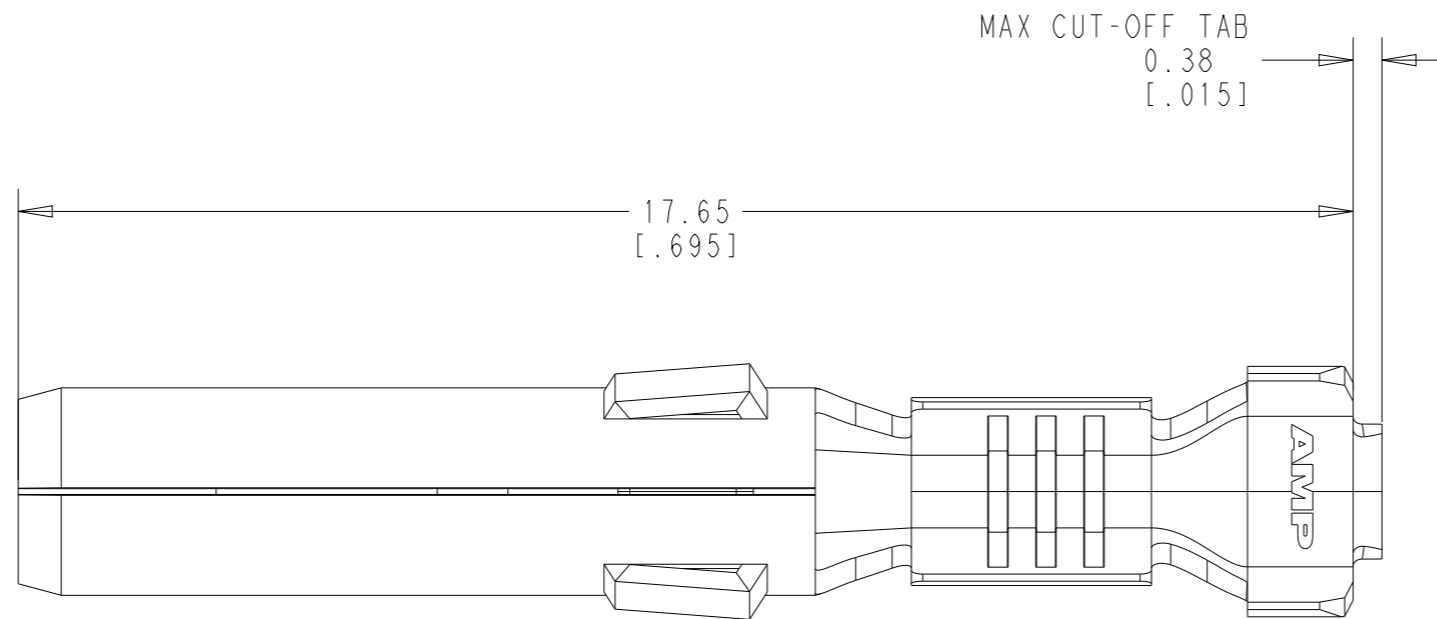


REVISIONS

P	LTR	DESCRIPTION	DATE	DWN	APVD
	V1	REVISED PER ECO-11-005294	05APR2011	RK	HMR
	V2	REVISED PER ECN-23-233438	02OCT2023	WLS	VS



SCALE 8:1

NOTES:

1. FOR ADDITIONAL INFORMATION SEE DRAWING 61314.

2. THIS TERMINAL IS SUPPLIED IN INDIVIDUAL FORM, NOT AS A CONTINUOUS STRIP.

3 NICKEL ON ENTIRE TERMINAL WITH 0.76µm [30µin] GOLD OVER INSIDE OF MATING AREA AND WIRE BARREL.

4 NICKEL ON ENTIRE TERMINAL WITH 0.76µm [30µin] GOLD OVER INSIDE OF MATING AREA.

5. WIRE RANGE: 24 - 18 AWG.

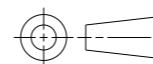
6. INSULATION DIA .100 MAX.

7. DIMENSIONS IN BRACKETS ARE IN INCHES.

61314-6	GOLD	4	.012 PH.BRZ	60617-6
61314-5	GOLD	3	.012 BRASS	60617-5
61314-4	TIN		.012 PH.BRZ	60617-4
61314-1	TIN		.012 BRASS	60617-1
MAKE FROM	FINISH	MATERIAL	PART NUMBER	

THIS DRAWING IS A CONTROLLED DOCUMENT.

DIMENSIONS:	TOLERANCES UNLESS OTHERWISE SPECIFIED:
mm [INCHES]	



0 PLC	±-	
1 PLC	±-	
2 PLC	±-	±0.38
3 PLC	±-	[.015]
4 PLC	±-	
ANGLES	±-	
FINISH		

MATERIAL	-
FINISH	-

DWN M. FEHER 16NOV1979

CHK D. S. HEIDE 04JAN1980

APVD V. SHEETAR 02OCT2023

PRODUCT SPEC 108-1000

APPLICATION SPEC 114-1012

WEIGHT -

CUSTOMER DRAWING

NAME SOCKET, LOOSE PIECE COMMERCIAL MATE-N-LOK

SIZE A3 CAGE CODE 00779 DRAWING NO C-60617 RESTRICTED TO -

SCALE 10:1 SHEET 1 OF 1 REV V2

