

4

3

2

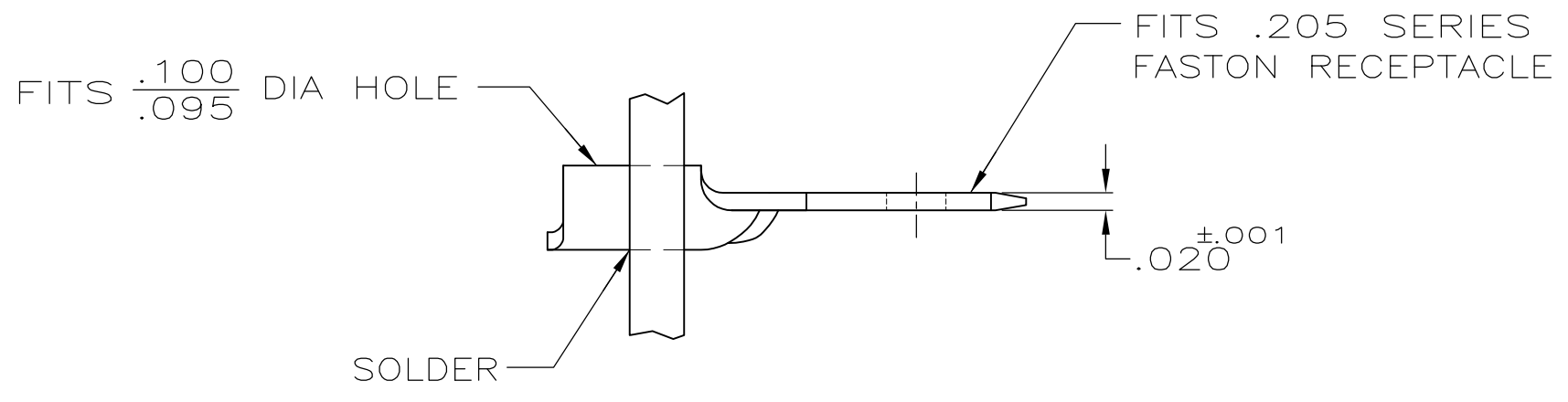
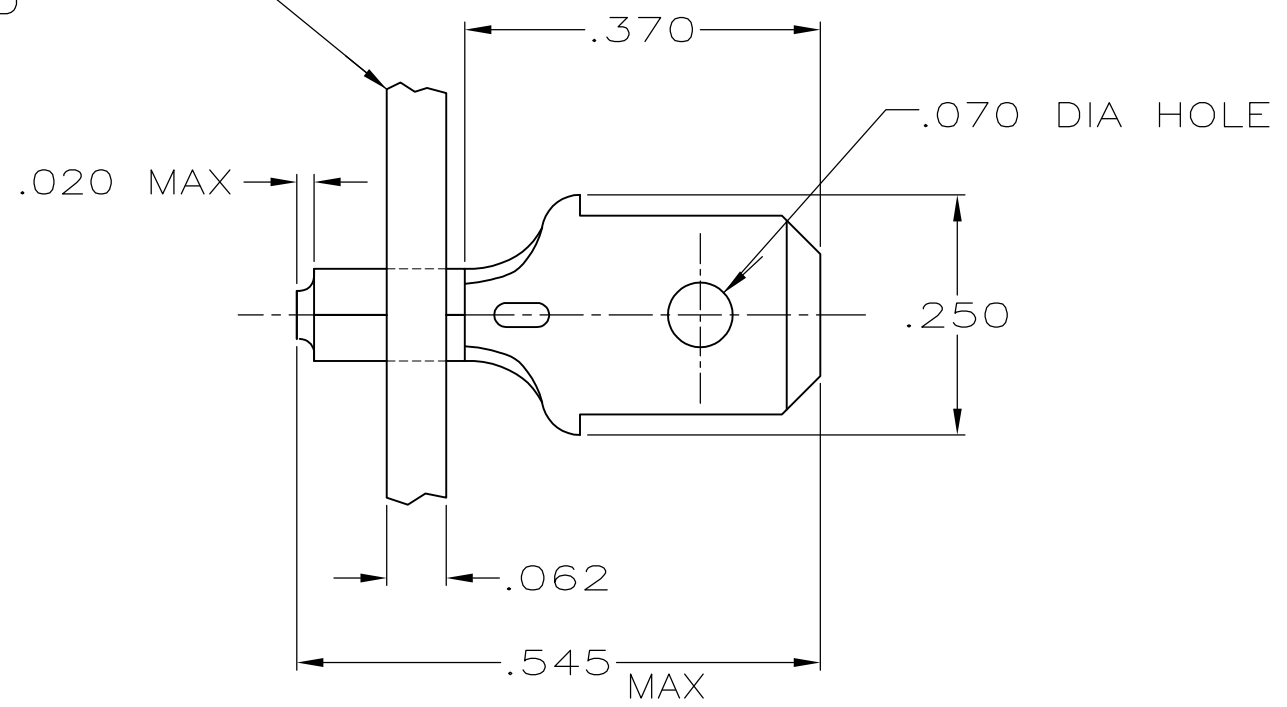
1

THIS DRAWING IS UNPUBLISHED. RELEASED FOR PUBLICATION - , - .
 © COPYRIGHT - By - ALL RIGHTS RESERVED.

LOC	DIST	REVISIONS					
AF	50	P	LTR	DESCRIPTION	DATE	DWN	APVD
		E		REVISED PER ECR-13-001204	28MAY13	KH	PD


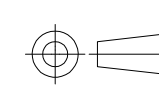
1 SUPPLIED IN LOOSE PIECE.

PRINTED CIRCUIT BOARD



TIN OVER COPPER	60284-2
-	60284-1
FINISH	PART NO

OBSOLETE

THIS DRAWING IS A CONTROLLED DOCUMENT.		DWN	JR RUTH	20SEP90	 TE Connectivity	
DIMENSIONS: INCHES		CHK	P FORTNEY	20SEP90		
		APVD	C MEYERS	20SEP90		
TOLERANCES UNLESS OTHERWISE SPECIFIED: 0 PLC ± - 1 PLC ± - 2 PLC ± - 3 PLC ± .015 4 PLC ± - ANGLES ± -		PRODUCT SPEC	-			
MATERIAL	BRASS	FINISH	SEE TABLE		NAME	TAB, FASTON™ .205 SERIES
CUSTOMER DRAWING		WEIGHT	-		SIZE	A3
SCALE		5:1		SHEET	1 OF 1	
RESTRICTED TO		-		DRAWING NO	C-60284	
REV		E				